

BASE

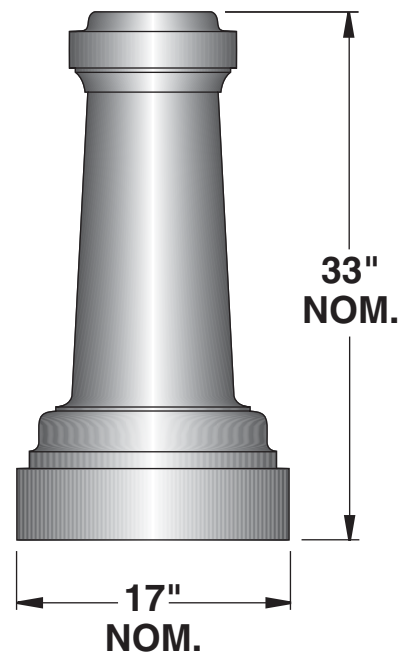
ONE PIECE CORROSION RESISTANT, DURABLE CAST ALUMINUM CONSTRUCTION. MINIMUM .210 WALL THICKNESS. BASE CONSISTS OF A SMOOTH, TAPERED BOTTOM SECTION, AND A SMOOTH TAPERED TOP SECTION, WITH A DECORATIVE CAST ALUMINUM COLLAR, AND A HAND HOLE COVER CONTOURED TO BASE DESIGN. HAND HOLE COVER SUPPLIED WITH TAMPER RESISTANT HARDWARE. GROUNDING LUG PROVIDED INSIDE BASE OPPOSITE HAND HOLE.

ANCHORAGE

A 3/4" CAST ALUMINUM ANCHOR RING IS WELDED 1" ABOVE BOTTOM OF BASE TO ACCEPT (4) FULLY GALVANIZED ANCHOR BOLTS. EACH BOLT SUPPLIED WITH TWO NUTS AND TWO WASHERS. ANCHORAGE IS FASTENED THROUGH HAND HOLE.

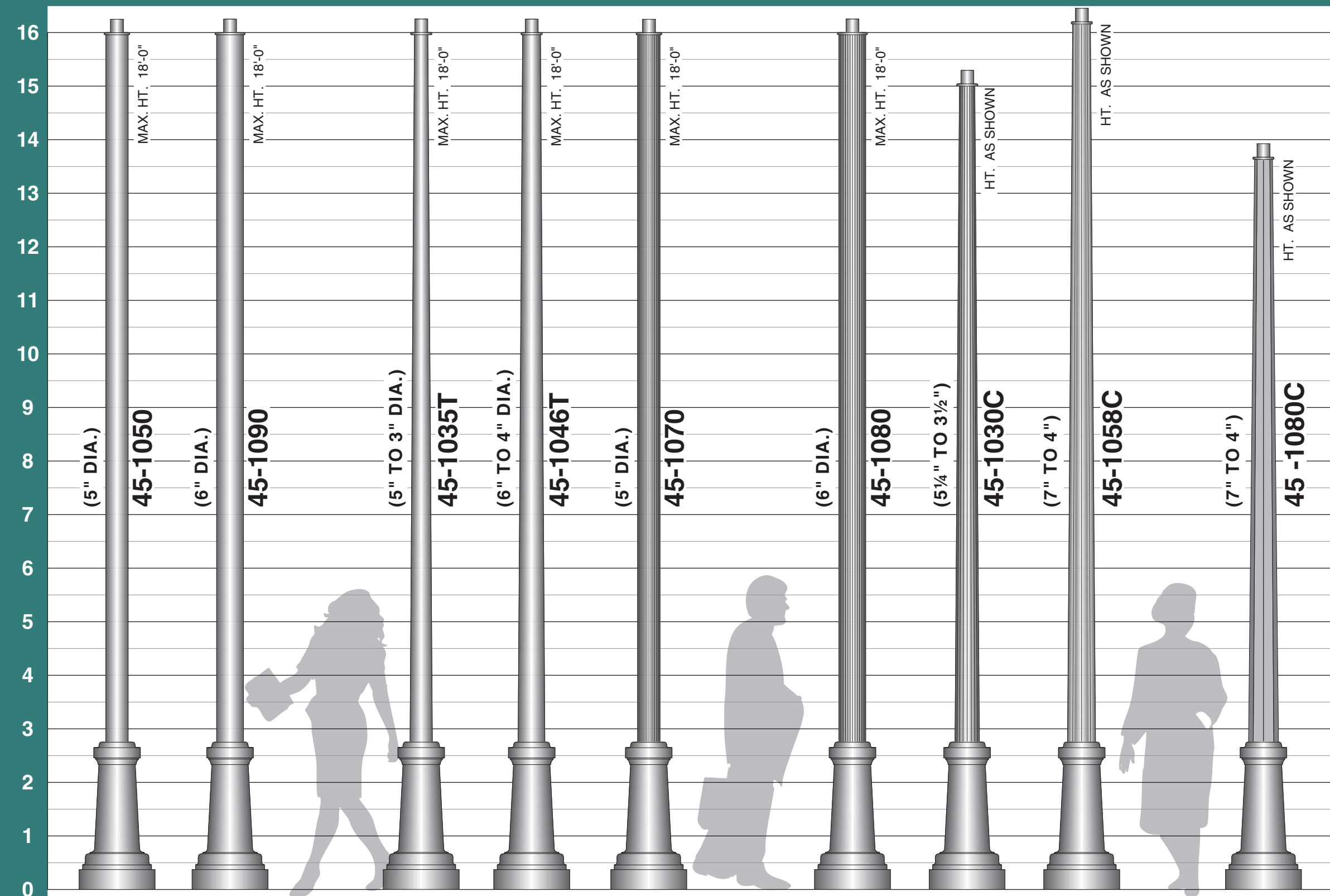
FINISH

ELECTROSTATICALLY APPLIED BAKED ON TEXTURED ACRYLIC ENAMEL. (SEE PAGE 5 FOR OPTIONAL FINISH AND COLOR SELECTION)



4500 BASE

POLE ACCESSORIES (SPECIFY AS SUFFIX TO CAT. NO.)



- TENONS**
- STANDARD: 2 7/8" O.D.
 - OPTIONS: 2 3/8" O.D.
 - 3 1/2" O.D.
- PT23
 - PT31
 - DUP GFI
 - DUP GFI
 - RBA
 - FBA
 - BEB
 - BBA
 - RBH
 - FBH
 - RSS
 - RLR
 - RFH
 - FFH
- FIELD ROTATABLE OR FIXED BANNER ARM
- BANNER EYE BOLT
- BREAK AWAY BANNER ARM
- FIELD ROTATABLE OR FIXED BASKET HOLDER
- FIELD ROTATABLE STREET SIGN
- FIELD ROTATABLE LADDER REST
- FIELD ROTATABLE OR FIXED FLAG HOLDER

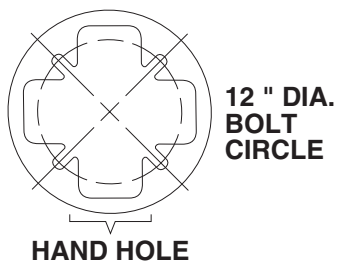
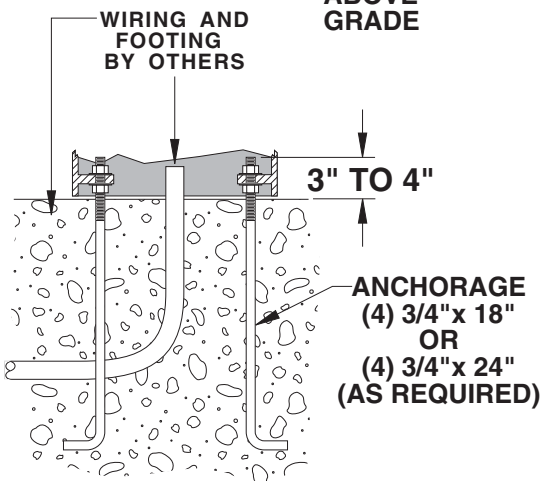
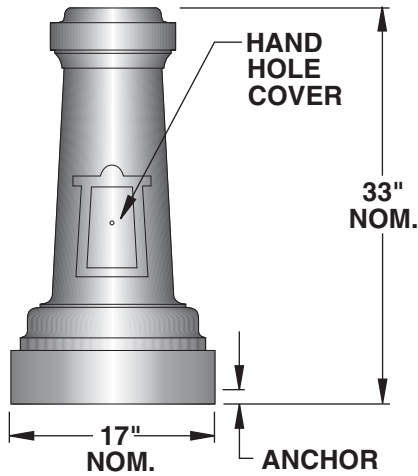
SHAFT IS CIRCUMFERENTIALLY WELDED TO BASE FOR ONE PIECE CONSTRUCTION
SEE SHAFT SECTION FOR SPECIFICATIONS AND ADDITIONAL STYLES



sun valley
LIGHTING

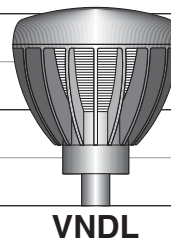
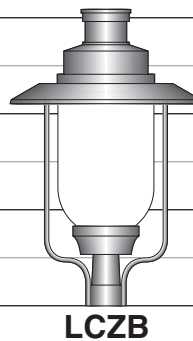
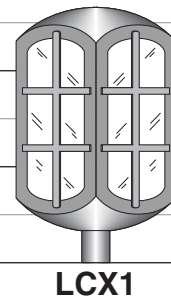
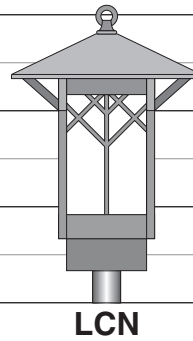
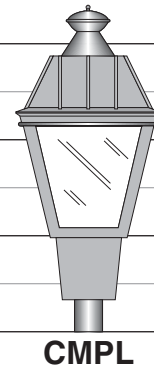
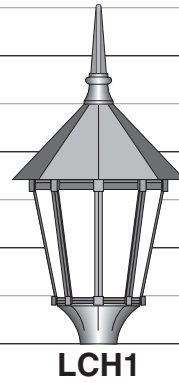
660 WEST AVENUE O, PALMDALE, CA 93551
(661) 233-2000
FAX (661) 233-2001
www.sunvalleylighting.com

4500 BASE



SUGGESTED LUMINAIRES

		4
		3
		2
		1
		0
		4
		3
		2
		1
		0
		4
		3
		2
		1
		0
		FT.



SEE LUMINAIRE SECTION FOR ADDITIONAL STYLES