



BASE

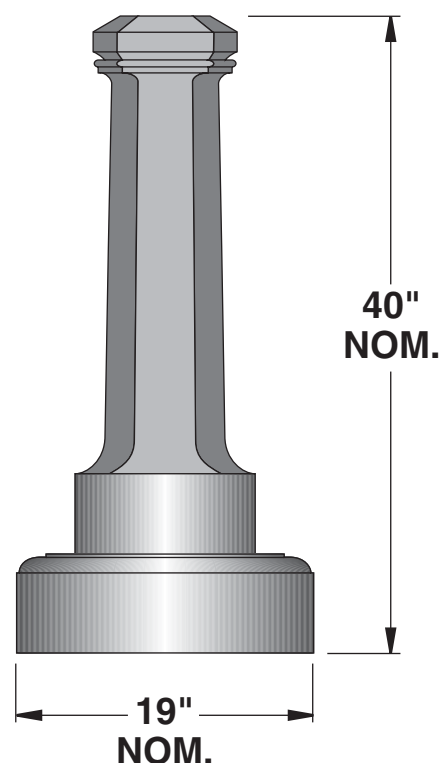
ONE PIECE CORROSION RESISTANT, DURABLE CAST ALUMINUM CONSTRUCTION. MINIMUM .225 WALL THICKNESS. BASE CONSISTS OF A SMOOTH BOTTOM SECTION STEPPING UP TO 33" HIGH HEXAGONAL SHAPED TOP SECTION. TOP SECTION IS FURNISHED WITH LARGE CONTOURED HAND HOLE. HAND HOLE COVER SUPPLIED WITH TAMPER RESISTANT HARDWARE. GROUNDING LUG PROVIDED INSIDE BASE OPPOSITE HAND HOLE.

ANCHORAGE

A 3/4" CAST ALUMINUM ANCHOR RING IS WELDED 1" ABOVE BOTTOM OF BASE TO ACCEPT (4) FULLY GALVANIZED ANCHOR BOLTS. EACH BOLT SUPPLIED WITH TWO NUTS AND TWO WASHERS. ANCHORAGE IS FASTENED THROUGH HAND HOLE.

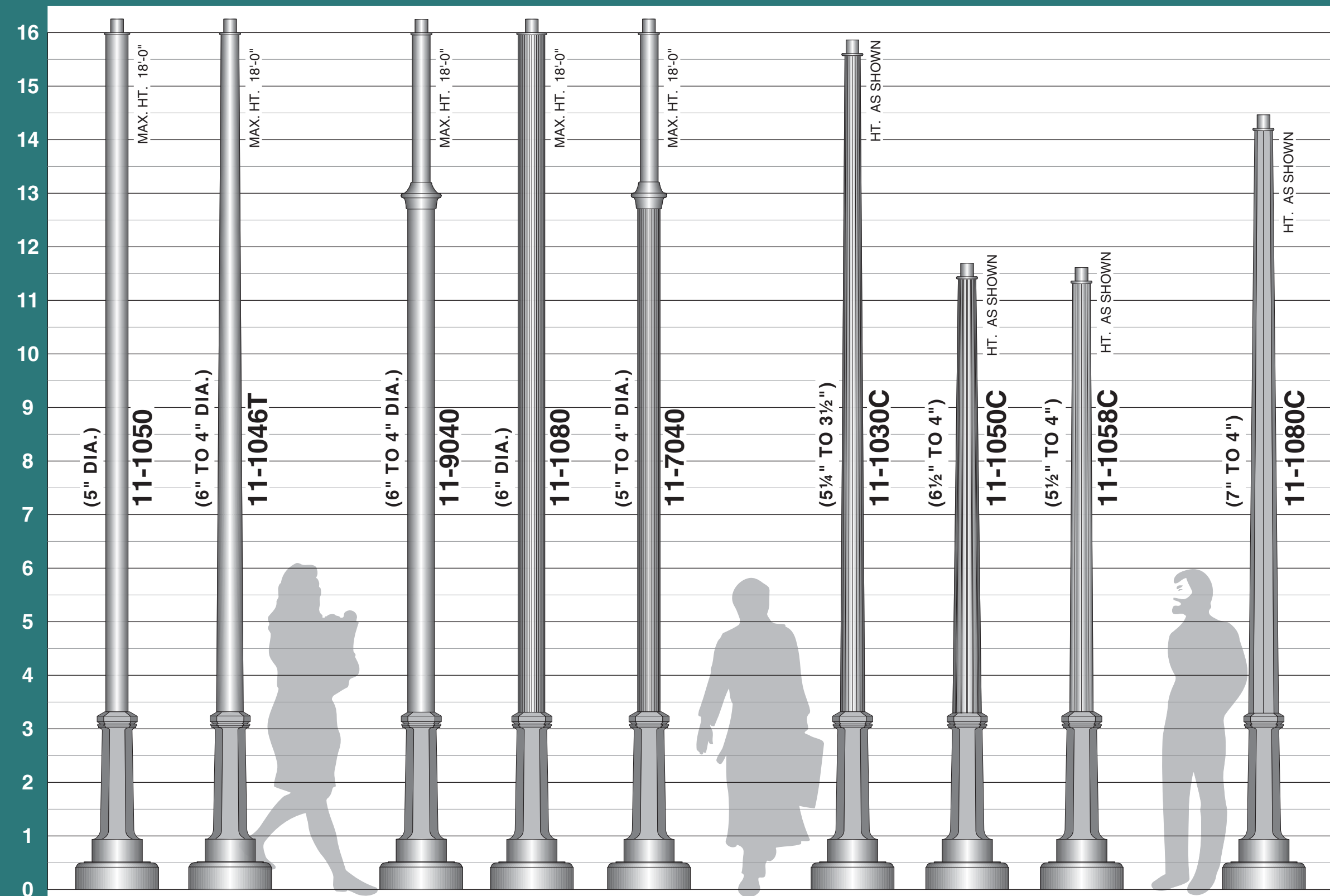
FINISH
















ELECTROSTATICALLY APPLIED BAKED ON TEXTURED ACRYLIC ENAMEL. (SEE PAGE 5 FOR OPTIONAL FINISH AND COLOR SELECTION)




BASE

POLE ACCESSORIES
(SPECIFY AS SUFFIX TO CAT. NO.)



- TENONS**
- STANDARD: 2 7/8" O.D.  PT23
 - OPTIONS: 2 3/8" O.D.  PT31
 - 3 1/2" O.D. 
 - DUPLEX OR G.F.I. RECEPTACLE WITH COVER  DUP GFI
 - FIELD ROTATABLE OR FIXED BANNER ARM  RBA
 -  FBA
 - BANNER EYE BOLT  BEB
 - BREAK AWAY BANNER ARM  BBA
 - FIELD ROTATABLE OR FIXED BASKET HOLDER  RBH
 -  FBH
 - FIELD ROTATABLE STREET SIGN  RSS
 - FIELD ROTATABLE LADDER REST  RLR
 -  20"
 - FIELD ROTATABLE OR FIXED FLAG HOLDER  RFH
 -  FFH

SHAFT IS CIRCUMFERENTIALLY WELDED TO BASE FOR ONE PIECE CONSTRUCTION
SEE SHAFT SECTION FOR SPECIFICATIONS AND ADDITIONAL STYLES



sun valley
LIGHTING

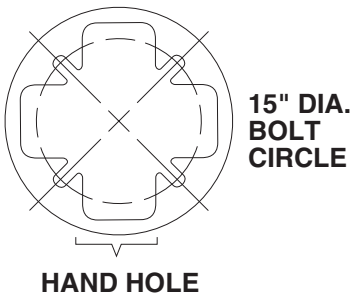
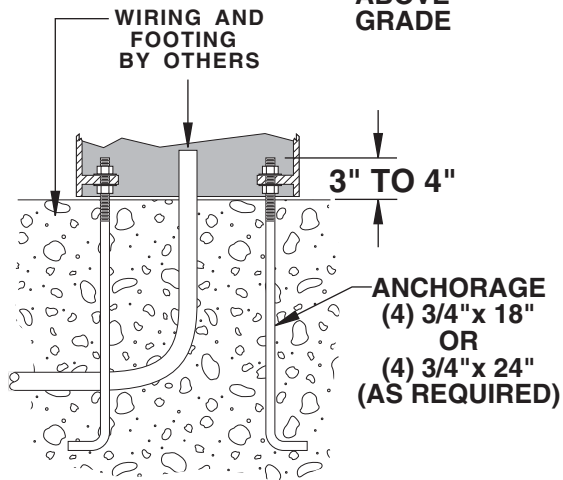
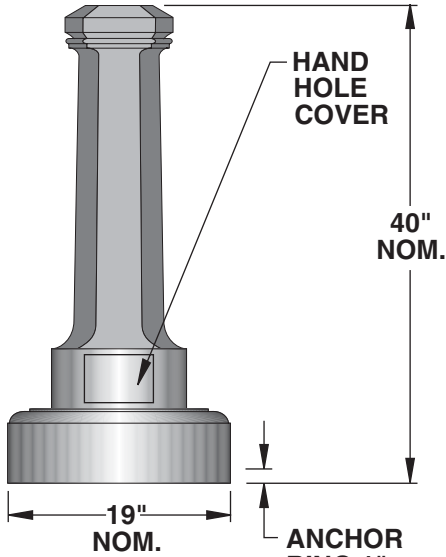
660 WEST AVENUE O, PALMDALE, CA 93551
(661) 233-2000
FAX (661) 233-2001
www.sunvalleylighting.com



BASE

SUGGESTED LUMINAIRES

4
3
2
1
0
4
3
2
1
0
4
3
2
1
0
FT.



LAB1-YD	LCD30
CLX	LCL
DSAR25	RCGD22

SEE LUMINAIRE SECTION FOR ADDITIONAL STYLES