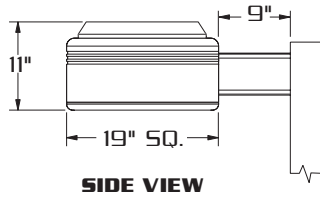
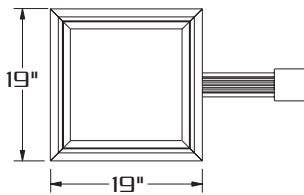


XTS19

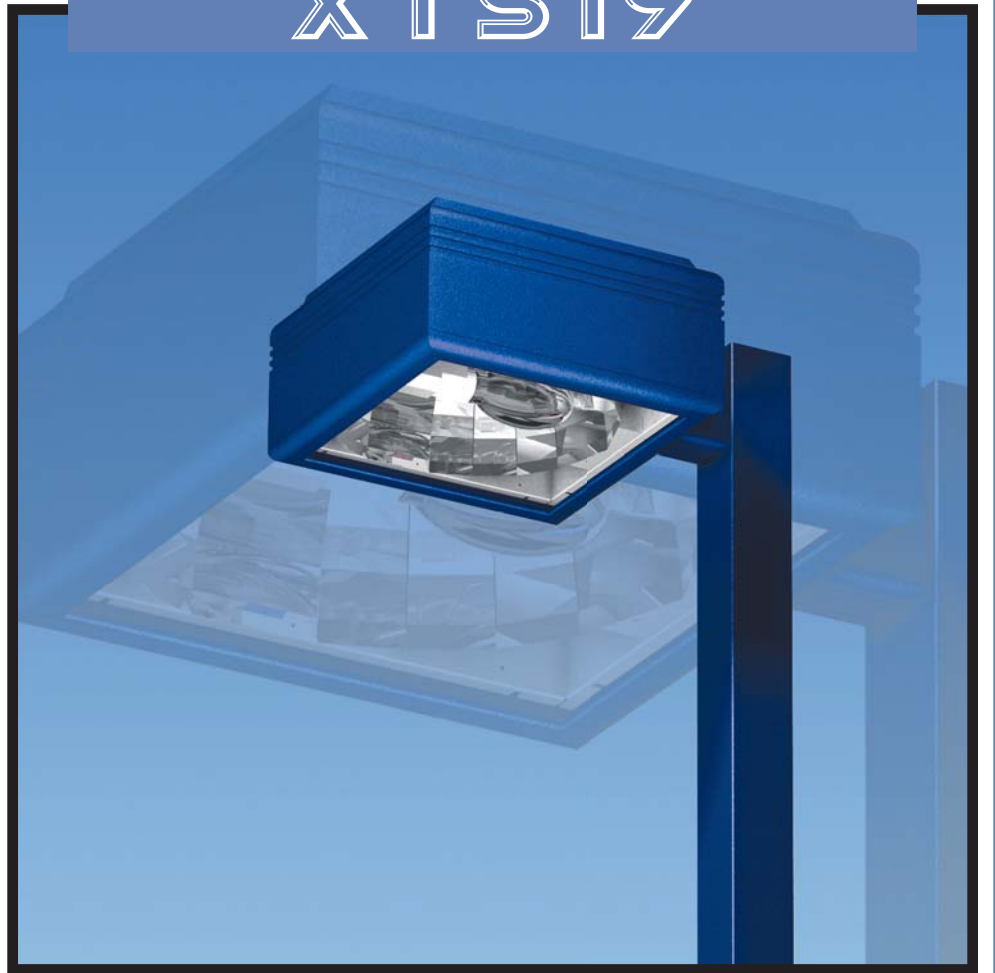
[400 WATT MAX.]



SIDE VIEW



TOP VIEW



E.P.A.- 1.83



WM



1



2-180



2-90



3-90



3-120



4-90

SPECIFICATIONS

HOUSING: ONE PIECE EXTRUDED ALUMINUM CONSTRUCTION. CONTEMPORARY SOFT CORNER HOUSING STYLE FEATURES FLUTED DETAILING TO PERMIT SIGNATURIZING.

LENS ASSY: ONE PIECE EXTRUDED ALUMINUM CONSTRUCTION. SOFT CORNER DOOR FRAME ENCASES 3/16" CLEAR TEMPERED GLASS LENS SEALED TO DOOR FRAME WITH HIGH TEMPERATURE EPDM GASKET TO COMPLETELY SEAL DOOR FRAME. QUARTER TURN FASTENER DISENGAGES LENS ASSEMBLY TO HINGE AWAY FROM HOUSING FOR LUMINAIRE ACCESS WITHOUT THE USE OF TOOLS.

OPTICS: COMPUTER DESIGNED ONE PIECE SPECULAR SEGMENTED SIDE REFLECTORS COMBINE WITH A SPECULAR AUXILIARY TOP REFLECTOR TO PRODUCE HIGHLY EFFICIENT WIDE THROW LIGHT DISTRIBUTIONS. OPTICAL ASSEMBLY IS FIELD ROTATABLE IN 90° INCREMENTS.

GASKETING: CLOSED CELL EPDM GASKETING COMPRESSED BETWEEN DOOR AND HOUSING TO PRESSURE SEAL OPTICAL CHAMBER.

LAMP HOLDER: MOGUL BASE PORCELAIN. LAMP HOLDER EQUIPPED WITH FACTORY INSTALLED QUICK DISCONNECT PLUG.

LAMP: (BY OTHERS)

BALLAST: ELECTRICAL COMPONENTS ARE FACTORY PREWIRED WITH QUICK-DISCONNECT PLUGS, AND ARE MOUNTED TO BALLAST PLATE. BALLAST PLATE IS REMOVABLE FROM HOUSING WITHOUT USE OF TOOLS FOR SERVICING.

ARM: 3"X5"X9" HEAVY WALL EXTRUDED ALUMINUM. ARM IS DESIGNED WITH SOFT CORNERS AND HORIZONTAL FLUTES TO COMPLIMENT HOUSING STYLE.

HARDWARE: ALL EXPOSED HARDWARE IS STAINLESS STEEL.

FINISH: POLYESTER POWDER COAT-STATE OF THE ART 20 PSI PRESSURE POWER WASH AT 140° TEMPERATURE INCORPORATES FOUR STEP IRON PHOSPHATE PROCESS TO CLEANSE AND PRETREAT THE METAL SURFACE FOR MAXIMUM PAINT ADHESION. ELECTROSTATICALLY APPLIED TEXTURED POLYESTER POWDER TOP COAT IS BAKED AT 400° TEMPERATURE FOR MAXIMUM HARDNESS AND EXTERIOR DURABILITY.



660 WEST AVENUE O, PALMDALE, CA. 93551

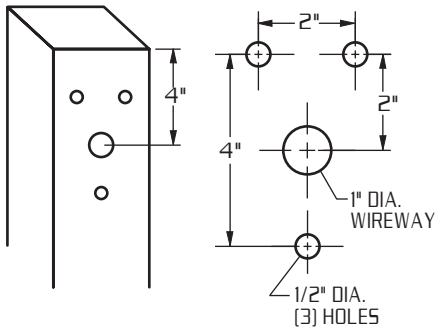
(661) 233-2000

FAX NO. (661) 233-2001

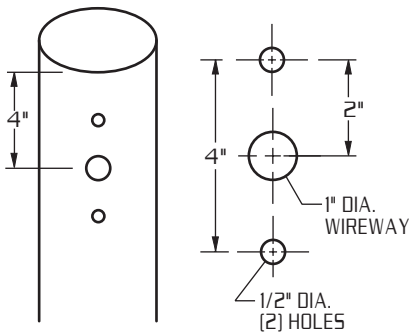
www.usaltg.com

A11-1

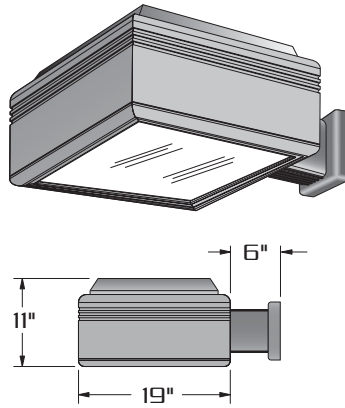
TYPICAL SQUARE POLE TEMPLATE



TYPICAL ROUND POLE TEMPLATE

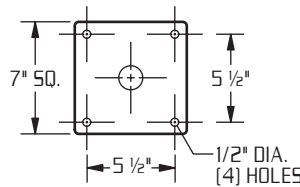


WALL MOUNT

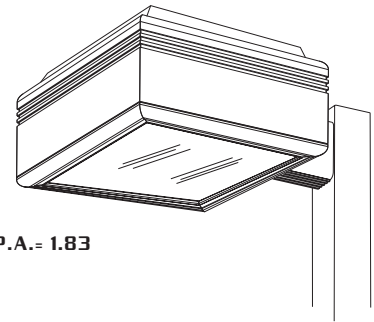


EXTRUDED ALUMINUM ARM AND CAST ALUMINUM WALL BRACKET ASSEMBLY PROVIDED WITH BUILT IN GASKETED WIRE ACCESS FOR FIXTURE/SUPPLY WIRE CONNECTION.

WALL PLATE



**LAMP SIZE:
150 - 400 WATT**



E.P.A. = 1.83

PRECISE EXTRUDED ALUMINUM HOUSING AND DOOR FRAME.

OPTICAL SYSTEM ENCLOSED IN IMPACT RESISTANT TEMPERED GLASS LENS.

REFLECTOR IS ENTIRELY FIELD ROTATABLE.

TOOLESS ENTRY TO LUMINAIRE HOUSING.

BALLAST TRAY IS HINGED AND REMOVABLE WITHOUT THE USE OF TOOLS FOR EASY ACCESS TO ELECTRICAL COMPONENTS.

ORDERING INFORMATION

MODEL NO. : XTS19	OPTICS	WATTAGE TYPE VOLTAGE	MOUNTING	FINISH	OPTIONS
MODEL NO. : X T S 1 9	OPTICS	LAMP	MOUNTING	FINISH	OPTIONS
	<input type="checkbox"/> TYPE II HR-II (segmented) <input type="checkbox"/> TYPE III HR-III (segmented) <input type="checkbox"/> TYPE IV (FORWARD THROW WIDE) HR-IV-W (segmented) <input type="checkbox"/> TYPE V HR-V-SQ (segmented)	WATTAGE TYPE VOLTAGE <input type="checkbox"/> 400 <input type="checkbox"/> HPS <input type="checkbox"/> 120 <input type="checkbox"/> 250 <input type="checkbox"/> MH <input type="checkbox"/> 208 <input type="checkbox"/> 200 <input type="checkbox"/> MV <input type="checkbox"/> 240 <input type="checkbox"/> 175 <input type="checkbox"/> 277 <input type="checkbox"/> 150 <input type="checkbox"/> 480 <input type="checkbox"/> 100 <input type="checkbox"/> MT	ARM MOUNT <input type="checkbox"/> 1 STREET LIGHTING ARM MOUNT <input type="checkbox"/> ST 23 (TO FIT OVER 2 3/8" O.D. ARM)	<input type="checkbox"/> DARK BRONZE DBM <input type="checkbox"/> MEDIUM BRONZE MBM <input type="checkbox"/> BLACK BKM <input type="checkbox"/> WHITE WTM <input type="checkbox"/> SILVER SLM OPTION: <input type="checkbox"/> BRONZE ANODIZED AZ313 <input type="checkbox"/> NATURAL ANODIZED AZ <input type="checkbox"/> BLACK ANODIZED AZBK SEE PAGE 3 FOR ADDITIONAL COLORS	<input type="checkbox"/> CLEAR POLYCARBONATE DIFFUSER LEX <input type="checkbox"/> HOUSE SIDE SHIELD HS <input type="checkbox"/> PHOTO CELL + VOLTAGE (EXAMPLE: PC120V) PC+V <input type="checkbox"/> TWIST LOCK PHOTO CELL+VOLTAGE (EXAMPLE TPC120V) TPC+V <input type="checkbox"/> TWIST LOCK RECEPTACLE ONLY TPR <input type="checkbox"/> SINGLE FUSE (120V. , 277V) SF <input type="checkbox"/> DOUBLE FUSE (208V. , 240V) DF
		ADJUSTABLE KNUCKLE <input type="checkbox"/> NKLE23 (TO FIT OVER 2 3/8" O.D.)	WALL MOUNT <input type="checkbox"/> WM		



660 WEST AVENUE O, PALMDALE, CA. 93551
 (661) 233-2000
 FAX NO. (661) 233-2001
 www.usaltg.com