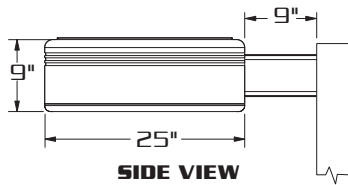
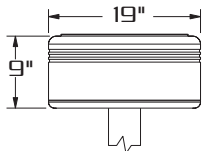


# XTR19

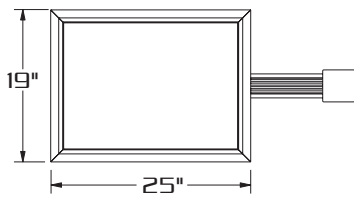
[400 WATT MAX.]



SIDE VIEW



FRONT VIEW



TOP VIEW

E.P.A. = 1.84



WM



1



2-180



2-90



3-90



3-120



4-90

## SPECIFICATIONS

**HOUSING:** ONE PIECE EXTRUDED ALUMINUM CONSTRUCTION. CONTEMPORARY STYLING OF HOUSING AND BALLAST COMPARTMENT FEATURES FLUTED DETAILING TO PERMIT SIGNATURIZING.

**LENS ASS'Y:** ONE PIECE CAST EXTRUDED CONSTRUCTION. DOOR FRAME ENCASES 3/16" CLEAR TEMPERED GLASS LENS SEALED TO DOOR FRAME WITH HIGH TEMPERATURE EPDM GASKET TO COMPLETELY SEAL DOOR FRAME FROM CONTAMINANTS. QUARTER TURN FASTENER DISENGAGES LENS ASSEMBLY AND ACTIVATES ACCULATCH™ HINGE TO ALLOW LENS ASSEMBLY TO HINGE AWAY FROM HOUSING FOR LUMINAIRE ACCESS WITHOUT THE USE OF TOOLS.

**OPTICS:** COMPUTER DESIGNED ONE PIECE SPECULAR SEGMENTED SIDE REFLECTORS COMBINE WITH A SPECULAR AUXILIARY TOP REFLECTOR TO PRODUCE A HIGHLY EFFICIENT, SHARP CUTOFF, PRECISION DESIGNED OPTICAL ASSEMBLY PROVIDES UNIFORM WIDE THROW LIGHT DISTRIBUTIONS. OPTICAL ASSEMBLY IS ROTATABLE IN 90° INCREMENTS.

**GASKETING:** CLOSED CELL EPDM GASKETING COMPRESSED BETWEEN DOOR AND HOUSING WORKS IN COMBINATION WITH ACCULATCH™ HINGE TO PRESSURE SEAL OPTICAL CHAMBER.

**LAMP HOLDER:** MOGUL BASE PORCELAIN. LAMPHOLDER EQUIPPED WITH FACTORY INSTALLED QUICK DISCONNECT PLUG.

**LAMP:** (BY OTHERS)

**BALLAST:** ELECTRICAL COMPONENTS ARE FACTORY PREWIRED WITH QUICK-DISCONNECT PLUGS, AND ARE MOUNTED TO A ONE PIECE HINGED BALLAST PLATE. BALLAST PLATE DISENGAGES FROM HOUSING WITHOUT USE OF TOOLS. BALLAST PLATE HINGES AND IS REMOVABLE FOR SERVICING.

**ARM:** 3"X5"X9" LONG HEAVY WALL EXTRUDED ALUMINUM. ARM IS DESIGNED WITH SOFT CORNERS AND HORIZONTAL RIBS TO COMPLIMENT STYLING ON HOUSING.

**HARDWARE:** ALL EXPOSED HARDWARE IS STAINLESS STEEL.

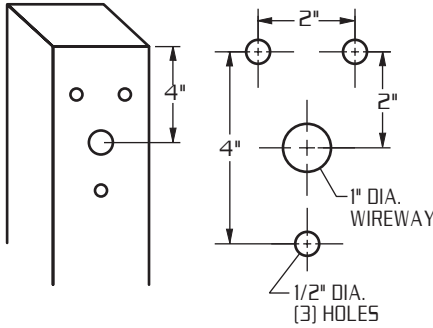
**FINISH:** POLYESTER POWDER COAT-STATE OF THE ART 20 PSI PRESSURE POWER WASH AT 140° TEMPERATURE INCORPORATES FOUR STEP IRON PHOSPHATE PROCESS TO CLEANSE AND PRETREAT THE METAL SURFACE FOR MAXIMUM PAINT ADHESION. ELECTROSTATICALLY APPLIED TEXTURED POLYESTER POWDER TOP COAT IS BAKED AT 400° TEMPERATURE FOR MAXIMUM HARDNESS AND EXTERIOR DURABILITY.



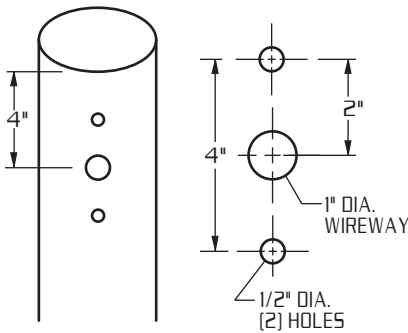
660 WEST AVENUE O, PALMDALE, CA. 93551  
(661) 233-2000  
FAX NO. (661) 233-2001  
www.usaltg.com

A11-3

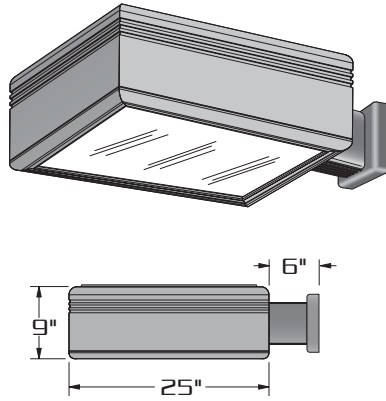
**TYPICAL SQUARE POLE TEMPLATE**



**TYPICAL ROUND POLE TEMPLATE**

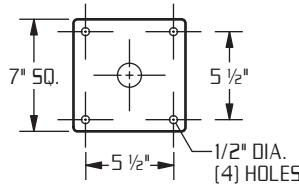


**WALL MOUNT**

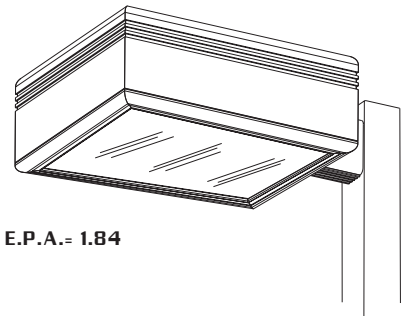


EXTRUDED ALUMINUM ARM AND CAST ALUMINUM WALL BRACKET ASSEMBLY PROVIDED WITH BUILT IN GASKETED WIRE ACCESS FOR FIXTURE/SUPPLY WIRE CONNECTION.

**WALL PLATE**



**LAMP SIZE:  
150 - 400 WATT**



E.P.A.- 1.84

**PRECISE EXTRUDED ALUMINUM HOUSING AND DOOR FRAME.**

**OPTICAL SYSTEM ENCLOSED IN IMPACT RESISTANT TEMPERED GLASS LENS.**

**REFLECTOR IS ENTIRELY FIELD ROTATABLE.**

**TOOLESS ENTRY TO LUMINAIRE HOUSING.**

**BALLAST TRAY IS HINGED AND REMOVABLE WITHOUT THE USE OF TOOLS FOR EASY ACCESS TO ELECTRICAL COMPONENTS.**

**ORDERING INFORMATION**

MODEL NO. : <b>XTR19</b>	OPTICS	WATTAGE TYPE VOLTAGE	MOUNTING	FINISH	OPTIONS	
<b>X T R 1 9</b>	<input type="checkbox"/> TYPE II <b>HR-II</b> . . . . . (segmented)	<input type="checkbox"/> 400 <input type="checkbox"/> HPS <input type="checkbox"/> 120 <input type="checkbox"/> 250 <input type="checkbox"/> MH <input type="checkbox"/> 208 <input type="checkbox"/> 200 <input type="checkbox"/> MV <input type="checkbox"/> 240 <input type="checkbox"/> 175 <input type="checkbox"/> 277 <input type="checkbox"/> 150 <input type="checkbox"/> 480 <input type="checkbox"/> 100 <input type="checkbox"/> MT	<input type="checkbox"/> 1 .....	<input type="checkbox"/> DARK BRONZE <b>DBM</b> <input type="checkbox"/> MEDIUM BRONZE <b>MBM</b> <input type="checkbox"/> BLACK <b>BKM</b> <input type="checkbox"/> WHITE <b>WTM</b> <input type="checkbox"/> SILVER <b>SLM</b>	<input type="checkbox"/> CLEAR POLYCARBONATE DIFFUSER . . . . . <b>LEX</b> <input type="checkbox"/> HOUSE SIDE SHIELD . . . . . <b>HS</b> <input type="checkbox"/> PHOTO CELL + VOLTAGE (EXAMPLE: PC120V) . . . . . <b>PC+V</b> <input type="checkbox"/> TWIST LOCK PHOTO CELL+VOLTAGE (EXAMPLE TPC120V) . . . . . <b>TPC+V</b> <input type="checkbox"/> TWIST LOCK RECEPTACLE ONLY . . . . . <b>TPR</b> <input type="checkbox"/> SINGLE FUSE (120V. , 277V) . . . . . <b>SF</b> <input type="checkbox"/> DOUBLE FUSE (208V. , 240V) . . . . . <b>DF</b>	
	<input type="checkbox"/> TYPE III <b>HR-III</b> . . . . . (segmented)			<input type="checkbox"/> <b>ST 23</b> . . . . . (TO FIT OVER 2 3/8" O.D. ARM)		
	<input type="checkbox"/> TYPE IV (FORWARD THROW WIDE) <b>HR-IV-W</b> (segmented)			<input type="checkbox"/> <b>NKLE23</b> . . . . . (TO FIT OVER 2 3/8" O.D. )		
	<input type="checkbox"/> TYPE V <b>HR-V-SQ</b> (segmented)			<input type="checkbox"/> <b>NKLE27</b> . . . . . (TO FIT OVER 2 7/8" O.D. )		
				<input type="checkbox"/> <b>WM</b> . . . . .		

SEE PAGE 3 FOR ADDITIONAL COLORS



660 WEST AVENUE O, PALMDALE, CA. 93551  
 (661) 233-2000  
 FAX NO. (661) 233-2001  
[www.usaltg.com](http://www.usaltg.com)