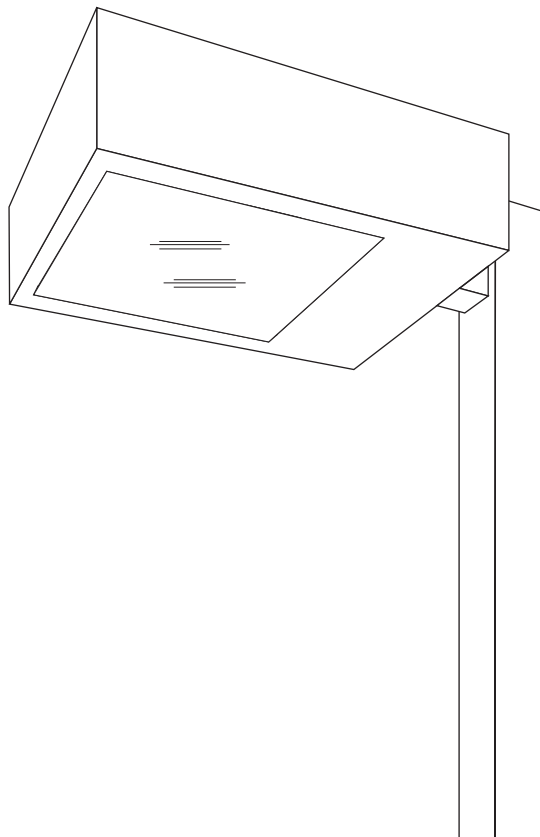
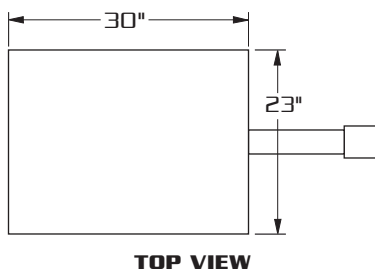
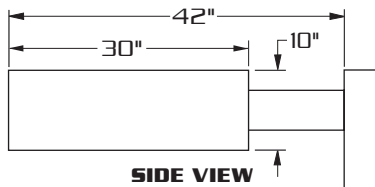


VERSALUX-G

(1000 WATT MAX.)



E.P.A. = 3.0



SPECIFICATIONS

HOUSING: ONE PIECE HEAVY GAUGE DIE FORMED ALUMINUM CONSTRUCTION CONTINUOUSLY SEAM WELDED. ELECTRICAL COMPONENTS MOUNTED IN SEPARATE BALLAST COMPARTMENT.

LENS ASS'Y: ONE PIECE HINGED HEAVY GAUGE DIE FORMED ALUMINUM DOOR FRAME SURROUNDS 3/16" CLEAR TEMPERED GLASS LENS. GLASS IS SEALED TO DOOR WITH HIGH TEMPERATURE SILICONE SEAL. TWO CAPTIVE THUMB SCREWS DISENGAGE LENS ASSEMBLY FROM HOUSING WITHOUT THE USE OF TOOLS.

OPTICS: SEMI SPECULAR SEGMENTED REFLECTOR COMBINES WITH 3/16" CLEAR TEMPERED LENS TO PRODUCE A FORWARD THROW (TYPE IV) LIGHT DISTRIBUTION.

GASKETING: CLOSED CELL EPDM GASKETING COMPRESSED BETWEEN DOOR AND HOUSING SEALS OPTICAL CHAMBER.

LAMP HOLDER: M06UL BASE PORCELAIN.

LAMP: (BY OTHERS)

BALLAST: H.P.F./C.W.A. AUTOTRANSFORMER. -20° STARTING TEMPERATURE.

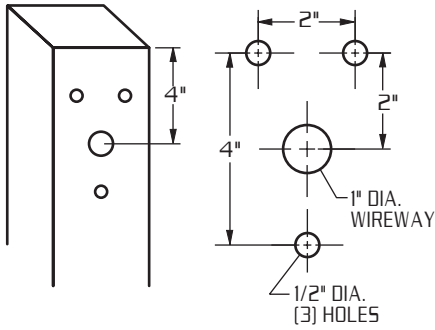
ARM: 3"X5"X12" LONG HEAVY WALL EXTRUDED ALUMINUM. ARM IS SECURED TO HOUSING AND TO POLE WITH STAINLESS STEEL RODS.

FINISH: POLYESTER POWDER COAT-STATE OF THE ART 20 PSI PRESSURE POWER WASH AT 140° TEMPERATURE INCORPORATES FOUR STEP IRON PHOSPHATE PROCESS TO CLEANSE AND PRETREAT THE METAL SURFACE FOR MAXIMUM PAINT ADHESION. ELECTROSTATICALLY APPLIED TEXTURED POLYESTER POWDER TOP COAT IS BAKED AT 400° TEMPERATURE FOR MAXIMUM HARDNESS AND EXTERIOR DURABILITY.

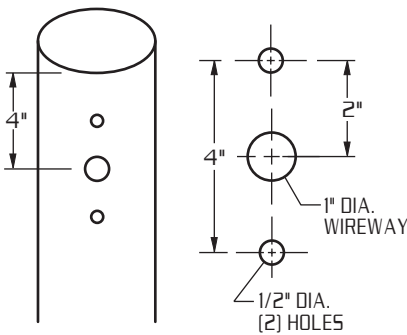


660 WEST AVENUE O, PALMDALE, CA. 93551
 (661) 233-2000
 FAX NO. (661) 233-2001
www.usaltg.com

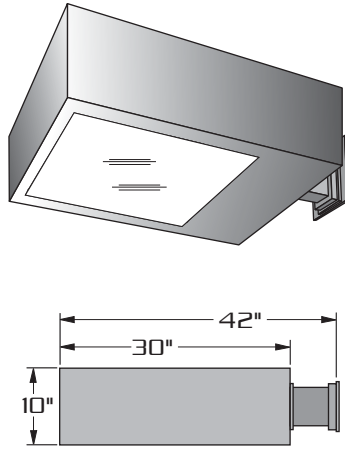
TYPICAL SQUARE POLE TEMPLATE



TYPICAL ROUND POLE TEMPLATE

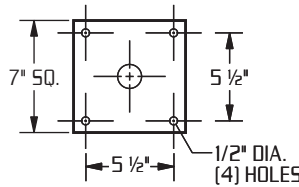


WALL MOUNT

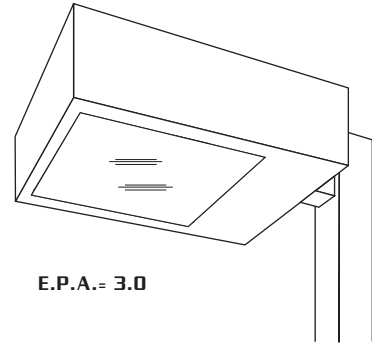


EXTRUDED ALUMINUM ARM AND CAST ALUMINUM WALL BRACKET ASSEMBLY PROVIDED WITH BUILT IN GASKETED WIRE ACCESS FOR FIXTURE/SUPPLY WIRE CONNECTION.

WALL PLATE



**LAMP SIZE:
400 - 1000 WATT**



E.P.A.= 3.0

RECTILINEAR HEAVY GAUGE ALUMINUM HOUSING.

THREE OPTICAL SYSTEMS ENCLOSED IN IMPACT RESISTANT TEMPERED GLASS LENS.

TOOLESS LUMINAIRE ACCESS.

ORDERING INFORMATION

MODEL NO. : VRS-G	OPTICS	WATTAGE TYPE VOLTAGE	MOUNTING	FINISH	OPTIONS
----------------------	--------	----------------------	----------	--------	---------

MODEL NO. :	OPTICS	LAMP	MOUNTING	FINISH	OPTIONS
VRS-G	<input type="checkbox"/> TYPE III III.....	<input type="checkbox"/> 1000 <input type="checkbox"/> HPS <input type="checkbox"/> 120 <input type="checkbox"/> 400 <input type="checkbox"/> MH <input type="checkbox"/> 208	<input type="checkbox"/> 1	<input type="checkbox"/> DARK BRONZE DBM <input type="checkbox"/> MEDIUM BRONZE MBM <input type="checkbox"/> BLACK BKM <input type="checkbox"/> WHITE WTM <input type="checkbox"/> SILVER SLM	<input type="checkbox"/> HOUSE SIDE SHIELD HS <input type="checkbox"/> PHOTO CELL + VOLTAGE (EXAMPLE: PC120V) PC+V <input type="checkbox"/> TWIST LOCK PHOTO CELL+VOLTAGE (EXAMPLE TPC120V) TPC+ V <input type="checkbox"/> TWIST LOCK RECEPTACLE ONLY TPR
	<input type="checkbox"/> TYPE IV (FORWARD THROW) IV.....	<input type="checkbox"/> 240 <input type="checkbox"/> 277 <input type="checkbox"/> 480 <input type="checkbox"/> MT	<input type="checkbox"/> ST 23 (TO FIT OVER 2 3/8" O.D. ARM)	<input type="checkbox"/> ANODIZED AZ ANODIZED HOUSING MUST HAVE PAINT FINISH COAT EXAMPLE: AZDBM	<input type="checkbox"/> SINGLE FUSE (120V., 277V) SF <input type="checkbox"/> DOUBLE FUSE (208V., 240V) DF
	<input type="checkbox"/> TYPE V V.....		<input type="checkbox"/> NKLE23 (TO FIT OVER 2 3/8" O.D.) <input type="checkbox"/> NKLE27 (TO FIT OVER 2 7/8" O.D.)	SEE PAGE 3 FOR ADDITIONAL COLORS	
			<input type="checkbox"/> WM		
			SEE ACCESSORIES SECTION FOR ST23 AND NKLE DETAILS		



660 WEST AVENUE O, PALMDALE, CA. 93551
 (661) 233-2000
 FAX NO. (661) 233-2001
 www.usaltg.com