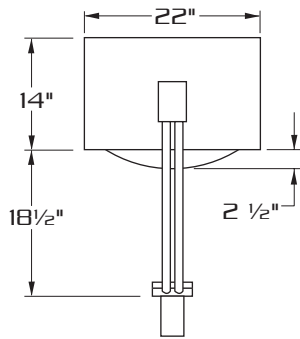
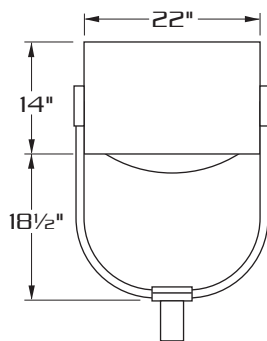


# SVLPT222

(1000 WATT MAX.)

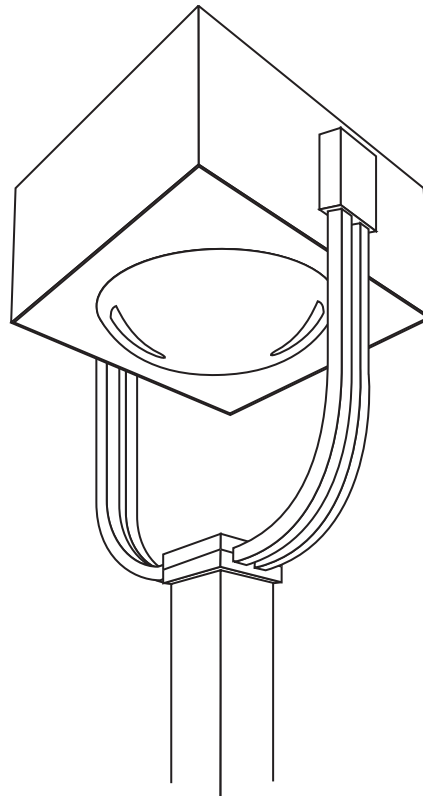


**SIDE VIEW**



**FRONT VIEW**

E.P.A.= 3.30



## SPECIFICATIONS

**HOUSING:** ONE PIECE DIE FORMED ALUMINUM CONSTRUCTION WITH SEPARATE BALLAST COMPARTMENT.

**LENS ASS'Y:** ONE PIECE HINGED HEAVY GAUGE DIE FORMED ALUMINUM DOOR FRAME SURROUNDS 3/16" CLEAR CONVEX GLASS LENS. GLASS IS SEALED TO DOOR WITH HIGH TEMPERATURE SILICONE SEAL. TWO CAPTIVE THUMB SCREWS DISENGAGE LENS ASSEMBLY FROM HOUSING WITHOUT THE USE OF TOOLS.

**OPTICS:** COMPUTER DESIGNED ONE PIECE SEGMENTED SPECULAR REFLECTOR COMBINES WITH CLEAR CONVEX LENS TO PRODUCE A HIGHLY EFFICIENT WIDE SYMMETRIC LIGHT DISTRIBUTION WITH OUTSTANDING UNIFORMITY.

**GASKETING:** CLOSED CELL EPDM GASKETING COMPRESSED BETWEEN DOOR AND HOUSING SEALS OPTICAL CHAMBER.

**LAMP HOLDER:** MOGUL BASE PORCELAIN.

**LAMP:** (BY OTHERS)

**BALLAST:** H.P.F./C.W.A. AUTOTRANSFORMER. -20° STARTING TEMPERATURE.

**ARM:** FOUR (4) ONE INCH SQUARE EXTRUDED ALUMINUM ARMS WELDED TO A CAST ALUMINUM POLE TOP FITTER. ARM ASSEMBLY IS MECHANICALLY ATTACHED TO TWIN CASTINGS WELDED TO EITHER SIDE OF THE HOUSING.

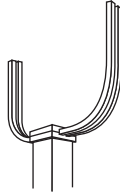
**FINISH:** POLYESTER POWDER COAT-STATE OF THE ART 20 PSI PRESSURE POWER WASH AT 140° TEMPERATURE INCORPORATES FOUR STEP IRON PHOSPHATE PROCESS TO CLEANSE AND PRETREAT THE METAL SURFACE FOR MAXIMUM PAINT ADHESION. ELECTROSTATICALLY APPLIED TEXTURED POLYESTER POWDER TOP COAT IS BAKED AT 400° TEMPERATURE FOR MAXIMUM HARDNESS AND EXTERIOR DURABILITY.



660 WEST AVENUE O, PALMDALE, CA. 93551  
(661) 233-2000  
FAX NO. (661) 233-2001  
[www.usaltg.com](http://www.usaltg.com)

A5-5

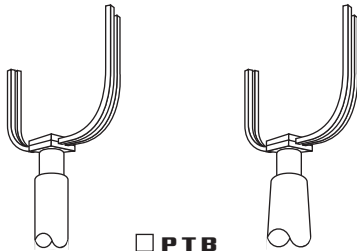
**MOUNTING STYLES**



**PTA**

STANDARD TENON ASSEMBLY FOR 4" & 5" SQUARE POLES.

DECORATIVE RING SUPPLIED FOR 6" SQUARE POLES. [SPECIFY POLE I.D.]



**PTB**

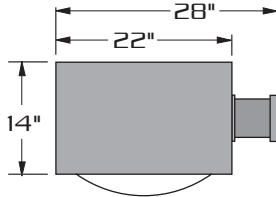
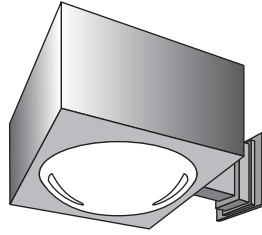
TENON ASSEMBLY FOR TAPERED OR ROUND POLES. TENON ASSEMBLY IS ALSO AVAILABLE AS AN OPTION FOR 4", 5" OR 6" SQUARE POLES.

SPECIFY MOUNTING ASSEMBLY:

**PTB27**-TO FIT OVER 2 7/8" O.D. TENON.

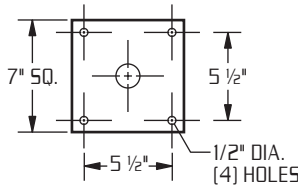
**PTB23**-TO FIT OVER 2 3/8" O.D. TENON.

**WALL MOUNT**

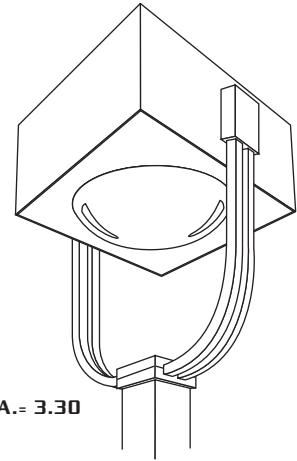


EXTRUDED ALUMINUM ARM AND CAST ALUMINUM WALL BRACKET ASSEMBLY PROVIDED WITH BUILT IN GASKETED WIRE ACCESS FOR FIXTURE/SUPPLY WIRE CONNECTION.

**WALL PLATE**



**LAMP SIZE:  
250 - 1000 WATT**



E.P.A.- 3.30

**WIDE THROW BEAM PATTERN.**

**VERTICAL LAMP.**

**COMPUTER DESIGNED SEGMENTED OPTICS.**

**THREE OPTICAL CONFIGURATIONS.**

**FLAT GLASS OPTION FOR FULL CUTOFF OPTICS.**

**ORDERING INFORMATION**

MODEL NO.:	OPTICS	WATTAGE TYPE VOLTAGE	MOUNTING	FINISH	OPTIONS
SVLPT222					

MODEL NO.:	OPTICS	LAMP	MOUNTING	FINISH	OPTIONS																
<b>S V L P T 2 2 2</b>	<input type="checkbox"/> ASYMMETRIC ASY... <input type="checkbox"/> TYPE IV (FORWARD THROW) IV... <input type="checkbox"/> TYPE V V-SQ...	<table border="0"> <tr> <td><input type="checkbox"/> 1000 MH (BT37)</td> <td><input type="checkbox"/> 120</td> </tr> <tr> <td><input type="checkbox"/> 1000 PSMH (BT37)</td> <td><input type="checkbox"/> 208</td> </tr> <tr> <td><input type="checkbox"/> 750 PSMH (BT37)</td> <td><input type="checkbox"/> 240</td> </tr> <tr> <td><input type="checkbox"/> 450 PSMH (ED37)</td> <td><input type="checkbox"/> 277</td> </tr> <tr> <td><input type="checkbox"/> 400 MH (ED37)</td> <td><input type="checkbox"/> 480</td> </tr> <tr> <td><input type="checkbox"/> 400 PSMH (ED37)</td> <td><input type="checkbox"/> MT</td> </tr> <tr> <td><input type="checkbox"/> 750 HPS (BT37)</td> <td></td> </tr> <tr> <td><input type="checkbox"/> 400 HPS (ED18)</td> <td></td> </tr> </table>	<input type="checkbox"/> 1000 MH (BT37)	<input type="checkbox"/> 120	<input type="checkbox"/> 1000 PSMH (BT37)	<input type="checkbox"/> 208	<input type="checkbox"/> 750 PSMH (BT37)	<input type="checkbox"/> 240	<input type="checkbox"/> 450 PSMH (ED37)	<input type="checkbox"/> 277	<input type="checkbox"/> 400 MH (ED37)	<input type="checkbox"/> 480	<input type="checkbox"/> 400 PSMH (ED37)	<input type="checkbox"/> MT	<input type="checkbox"/> 750 HPS (BT37)		<input type="checkbox"/> 400 HPS (ED18)		<input type="checkbox"/> PTA  <input type="checkbox"/> PTB23 (TO FIT 2 3/8" O.D.)  <input type="checkbox"/> PTB27 (TO FIT 2 7/8" O.D.)  <b>WALL MOUNT</b> <input type="checkbox"/> WM .....	<input type="checkbox"/> DARK BRONZE DBM <input type="checkbox"/> MEDIUM BRONZE MBM <input type="checkbox"/> BLACK BKM <input type="checkbox"/> WHITE WTM <input type="checkbox"/> SILVER SLM  <b>OPTION:</b> <input type="checkbox"/> ANODIZED AZ <small>ANODIZED HOUSING MUST HAVE PAINT FINISH COAT</small> <small>EXAMPLE: AZDBM</small> <small>SEE PAGE 3 FOR ADDITIONAL COLORS</small>	<input type="checkbox"/> FLAT TEMPERED GLASS..... FG <input type="checkbox"/> CLEAR POLYCARBONATE DIFFUSER..... LEX <input type="checkbox"/> HOUSE SIDE SHIELD..... HS  <input type="checkbox"/> PHOTO CELL + VOLTAGE (EXAMPLE: PC120V)..... PC+V <input type="checkbox"/> TWIST LOCK PHOTO CELL+VOLTAGE (EXAMPLE TPC120V)..... TPC+V  <input type="checkbox"/> TWIST LOCK RECEPTACLE ONLY..... TPR  <input type="checkbox"/> SINGLE FUSE (120V., 277V)..... SF  <input type="checkbox"/> DOUBLE FUSE (208V., 240V)..... DF
<input type="checkbox"/> 1000 MH (BT37)	<input type="checkbox"/> 120																				
<input type="checkbox"/> 1000 PSMH (BT37)	<input type="checkbox"/> 208																				
<input type="checkbox"/> 750 PSMH (BT37)	<input type="checkbox"/> 240																				
<input type="checkbox"/> 450 PSMH (ED37)	<input type="checkbox"/> 277																				
<input type="checkbox"/> 400 MH (ED37)	<input type="checkbox"/> 480																				
<input type="checkbox"/> 400 PSMH (ED37)	<input type="checkbox"/> MT																				
<input type="checkbox"/> 750 HPS (BT37)																					
<input type="checkbox"/> 400 HPS (ED18)																					



660 WEST AVENUE O, PALMDALE, CA. 93551  
 (661) 233-2000  
 FAX NO. (661) 233-2001  
 www.usaltg.com