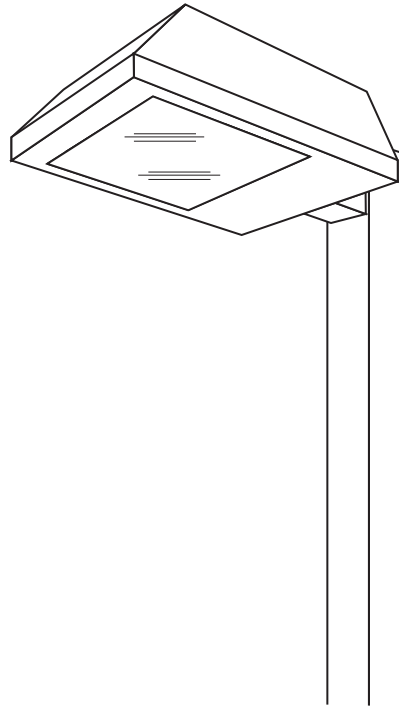
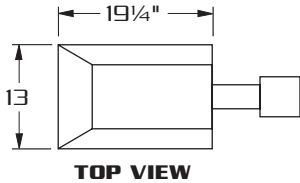
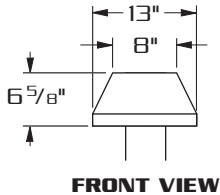
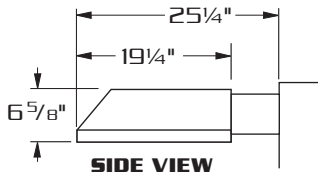
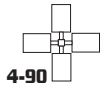


# MINI-STEALTH

[175 WATT MAX.]



E.P.A. = 1.10



## SPECIFICATIONS

**HOUSING:** ONE PIECE HEAVY GAUGE DIE FORMED ALUMINUM CONSTRUCTION WITH SEPARATE BALLAST COMPARTMENT.

**LENS ASS'Y:** ONE PIECE HINGED HEAVY GAUGE DIE FORMED ALUMINUM DOOR FRAME SURROUNDS 3/16" CLEAR TEMPERED GLASS LENS. GLASS IS SEALED TO DOOR WITH HIGH TEMPERATURE SILICONE SEAL. TWO CAPTIVE THUMB SCREWS DISENGAGE LENS ASSEMBLY FROM HOUSING WITHOUT THE USE OF TOOLS.

**OPTICS:** PRECISE, COMPUTER DESIGNED SPECULAR SEGMENTED SIDE REFLECTORS WITH AN AUXILIARY HAMMER TONE PATTERNED TOP REFLECTOR COMBINES WITH LENS TO PRODUCE AN EXTREMELY EFFICIENT SHARP CUTOFF.

**GASKETING:** CLOSED CELL EPDM GASKETING COMPRESSED BETWEEN DOOR AND HOUSING SEALS OPTICAL CHAMBER.

**LAMP HOLDER:** MEDIUM BASE PORCELAIN.

**LAMP:** [BY OTHERS]

**BALLAST:** H.P.F./C.W.A. AUTOTRANSFORMER. -20° STARTING TEMPERATURE.

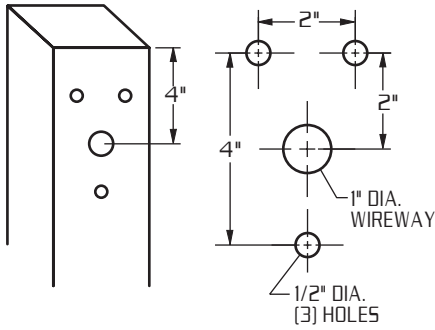
**ARM:** 3"X5"X6" LONG HEAVY WALL EXTRUDED ALUMINUM. ARM IS SECURED TO HOUSING AND TO POLE WITH STAINLESS STEEL RODS.

**FINISH:** POLYESTER POWDER COAT-STATE OF THE ART 20 PSI PRESSURE POWER WASH AT 140° TEMPERATURE INCORPORATES FOUR STEP IRON PHOSPHATE PROCESS TO CLEANSE AND PRETREAT THE METAL SURFACE FOR MAXIMUM PAINT ADHESION. ELECTROSTATICALLY APPLIED TEXTURED POLYESTER POWDER TOP COAT IS BAKED AT 400° TEMPERATURE FOR MAXIMUM HARDNESS AND EXTERIOR DURABILITY.

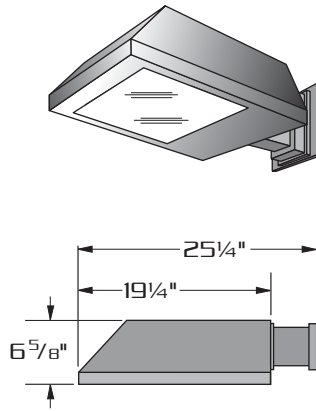


660 WEST AVENUE O, PALMDALE, CA. 93551  
 (661) 233-2000  
 FAX NO. (661) 233-2001  
[www.usaltg.com](http://www.usaltg.com)

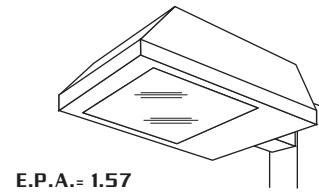
**TYPICAL SQUARE POLE TEMPLATE**



**WALL MOUNT**

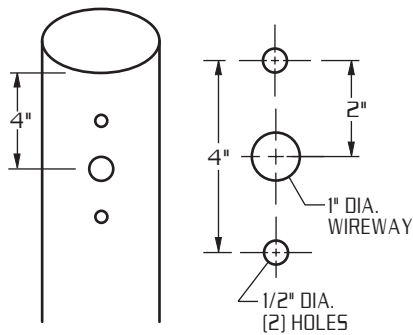


**LAMP SIZE:  
70 - 175 WATT**

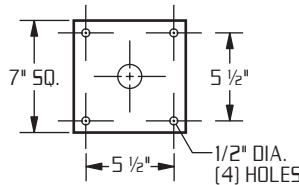


E.P.A. = 1.57

**TYPICAL ROUND POLE TEMPLATE**



**WALL PLATE**



**RECTILINEAR HEAVY WALL ALUMINUM HOUSING.**

**FIVE OPTICAL SYSTEMS ENCLOSED IN IMPACT RESISTANT TEMPERED GLASS LENS.**

**HINGED REMOVABLE BALLAST TRAY, WITH QUICK DISCONNECT PLUG FOR EASY ACCESS TO ELECTRICAL COMPONENTS.**

**ORDERING INFORMATION**

MODEL NO. : STLM	OPTICS	WATTAGE TYPE VOLTAGE	MOUNTING	FINISH	OPTIONS
---------------------	--------	----------------------	----------	--------	---------

MODEL NO. : <b>S T L M</b>	OPTICS	LAMP	MOUNTING	FINISH	OPTIONS																					
	<input type="checkbox"/> TYPE III III.....  <input type="checkbox"/> TYPE IV (FORWARD THROW) IV.....  <input type="checkbox"/> TYPE V V-SQ...	<table border="0"> <tr> <td>WATTAGE</td> <td>TYPE</td> <td>VOLTAGE</td> </tr> <tr> <td><input type="checkbox"/> 175</td> <td><input type="checkbox"/> HPS</td> <td><input type="checkbox"/> 120</td> </tr> <tr> <td><input type="checkbox"/> 150</td> <td><input type="checkbox"/> MH</td> <td><input type="checkbox"/> 208</td> </tr> <tr> <td><input type="checkbox"/> 100</td> <td><input type="checkbox"/> MV</td> <td><input type="checkbox"/> 240</td> </tr> <tr> <td><input type="checkbox"/> 75</td> <td></td> <td><input type="checkbox"/> 277</td> </tr> <tr> <td><input type="checkbox"/> 70</td> <td></td> <td><input type="checkbox"/> 480</td> </tr> <tr> <td></td> <td></td> <td><input type="checkbox"/> MT</td> </tr> </table>	WATTAGE	TYPE	VOLTAGE	<input type="checkbox"/> 175	<input type="checkbox"/> HPS	<input type="checkbox"/> 120	<input type="checkbox"/> 150	<input type="checkbox"/> MH	<input type="checkbox"/> 208	<input type="checkbox"/> 100	<input type="checkbox"/> MV	<input type="checkbox"/> 240	<input type="checkbox"/> 75		<input type="checkbox"/> 277	<input type="checkbox"/> 70		<input type="checkbox"/> 480			<input type="checkbox"/> MT	<p><b>ARM MOUNT</b></p> <input type="checkbox"/> 1 .....  <p><b>STREET LIGHTING ARM MOUNT</b></p> <input type="checkbox"/> ST 23 ..... (TO FIT OVER 2 3/8" O.D. ARM)	<input type="checkbox"/> DARK BRONZE DBM <input type="checkbox"/> MEDIUM BRONZE MBM <input type="checkbox"/> BLACK BKM <input type="checkbox"/> WHITE WTM <input type="checkbox"/> SILVER SLM	<input type="checkbox"/> CLEAR POLYCARBONATE DIFFUSER .....LEX <input type="checkbox"/> HOUSE SIDE SHIELD .....HS <input type="checkbox"/> PHOTO CELL + VOLTAGE (EXAMPLE: PC120V) .....PC+V <input type="checkbox"/> TWIST LOCK PHOTO CELL+VOLTAGE (EXAMPLE TPC120V) .....TPC+ V <input type="checkbox"/> TWIST LOCK RECEPTACLE ONLY.....TPR <input type="checkbox"/> SINGLE FUSE (120V. , 277V) .....SF <input type="checkbox"/> DOUBLE FUSE (208V. , 240V) .....DF
WATTAGE	TYPE	VOLTAGE																								
<input type="checkbox"/> 175	<input type="checkbox"/> HPS	<input type="checkbox"/> 120																								
<input type="checkbox"/> 150	<input type="checkbox"/> MH	<input type="checkbox"/> 208																								
<input type="checkbox"/> 100	<input type="checkbox"/> MV	<input type="checkbox"/> 240																								
<input type="checkbox"/> 75		<input type="checkbox"/> 277																								
<input type="checkbox"/> 70		<input type="checkbox"/> 480																								
		<input type="checkbox"/> MT																								
			<p><b>ADJUSTABLE KNUCKLE</b></p> <input type="checkbox"/> NKLE23 ..... (TO FIT OVER 2 3/8" O.D. )	<input type="checkbox"/> ANODIZED AZ ANODIZED HOUSING MUST HAVE PAINT FINISH COAT EXAMPLE: AZDBM																						
			<p><b>WALL MOUNT</b></p> <input type="checkbox"/> WM .....  SEE ACCESSORIES SECTION FOR ST23 AND NKLE DETAILS	SEE PAGE 3 FOR ADDITIONAL COLORS																						



660 WEST AVENUE O, PALMDALE, CA. 93551  
 (661) 233-2000  
 FAX NO. (661) 233-2001  
 www.usaltg.com