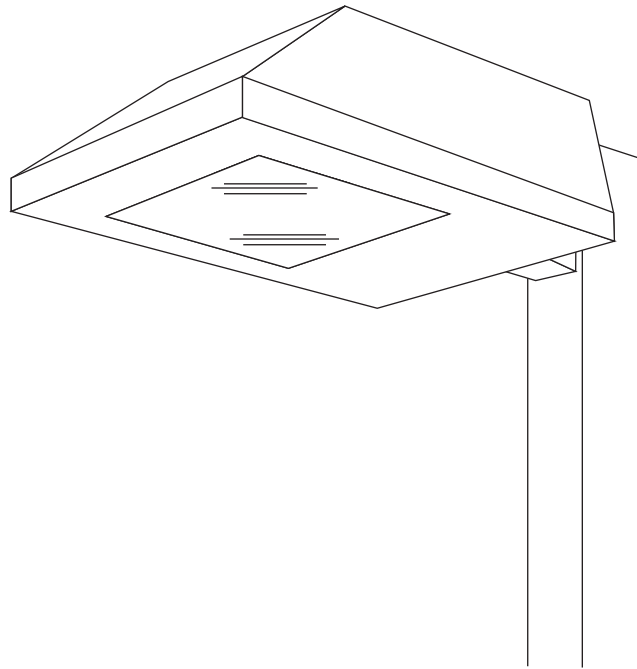
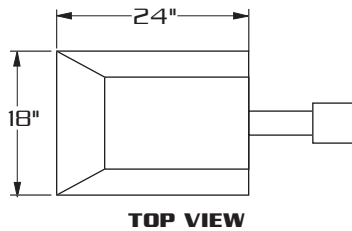
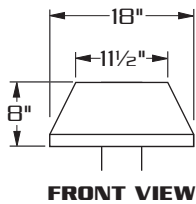
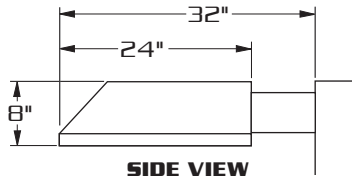
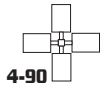


# STEALTH

[400 WATT MAX.]



E.P.A. = 1.57



## SPECIFICATIONS

**HOUSING:** ONE PIECE HEAVY GAUGE DIE FORMED ALUMINUM CONSTRUCTION WITH SEPARATE BALLAST COMPARTMENT.

**LENS ASS'Y:** ONE PIECE HINGED HEAVY GAUGE DIE FORMED ALUMINUM DOOR FRAME SURROUNDS 3/16" CLEAR TEMPERED GLASS LENS. GLASS IS SEALED TO DOOR WITH HIGH TEMPERATURE SILICONE SEAL. TWO CAPTIVE THUMB SCREWS DISENGAGE LENS ASSEMBLY FROM HOUSING WITHOUT THE USE OF TOOLS.

**OPTICS:** COMPUTER DESIGNED ONE PIECE SEMI SPECULAR HYDROFORMED REFLECTOR COMBINES WITH LENS TO PRODUCE A HIGHLY EFFICIENT, SHARP CUTOFF. OPTICS ARE FIELD ROTATABLE.

**GASKETING:** CLOSED CELL EPDM GASKETING COMPRESSED BETWEEN DOOR AND HOUSING SEALS OPTICAL CHAMBER.

**LAMP HOLDER:** M06UL BASE PORCELAIN.

**LAMP:** [BY OTHERS]

**BALLAST:** H.P.F./C.W.A. AUTOTRANSFORMER. -20° STARTING TEMPERATURE. ELECTRICAL COMPONENTS ARE MOUNTED TO HINGED REMOVABLE TRAY FOR EASY ACCESS.

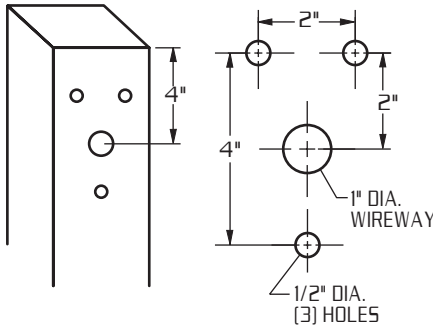
**ARM:** 3"X5"X8" LONG HEAVY WALL EXTRUDED ALUMINUM. ARM IS SECURED TO HOUSING AND TO POLE WITH STAINLESS STEEL RODS.

**FINISH:** POLYESTER POWDER COAT-STATE OF THE ART 20 PSI PRESSURE POWER WASH AT 140° TEMPERATURE INCORPORATES FOUR STEP IRON PHOSPHATE PROCESS TO CLEANSE AND PRETREAT THE METAL SURFACE FOR MAXIMUM PAINT ADHESION. ELECTROSTATICALLY APPLIED TEXTURED POLYESTER POWDER TOP COAT IS BAKED AT 400° TEMPERATURE FOR MAXIMUM HARDNESS AND EXTERIOR DURABILITY.

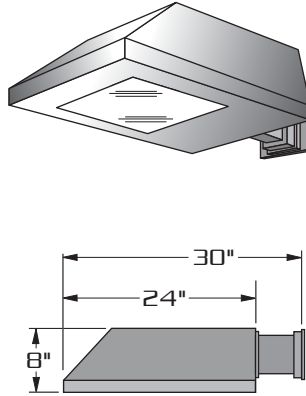


660 WEST AVENUE O, PALMDALE, CA. 93551  
 (661) 233-2000  
 FAX NO. (661) 233-2001  
[www.usaltg.com](http://www.usaltg.com)

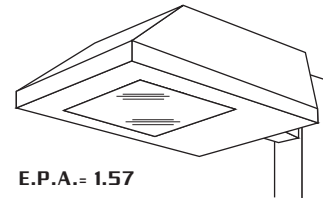
**TYPICAL SQUARE POLE TEMPLATE**



**WALL MOUNT**

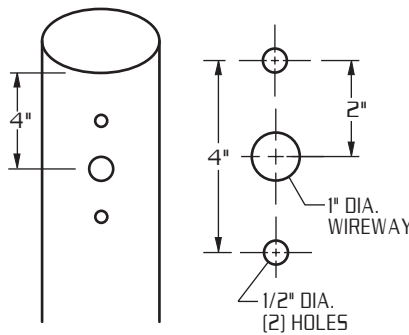


**LAMP SIZE:  
100 - 400 WATT**



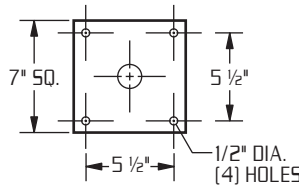
E.P.A. = 1.57

**TYPICAL ROUND POLE TEMPLATE**



EXTRUDED ALUMINUM ARM AND CAST ALUMINUM WALL BRACKET ASSEMBLY PROVIDED WITH BUILT IN GASKETED WIRE ACCESS FOR FIXTURE/SUPPLY WIRE CONNECTION.

**WALL PLATE**



**RECTILINEAR HEAVY WALL ALUMINUM HOUSING.**

**FIVE OPTICAL SYSTEMS ENCLOSED IN IMPACT RESISTANT TEMPERED GLASS LENS.**

**HINGED REMOVABLE BALLAST TRAY, WITH QUICK DISCONNECT PLUG FOR EASY ACCESS TO ELECTRICAL COMPONENTS.**

**ORDERING INFORMATION**

MODEL NO.:	OPTICS	WATTAGE TYPE VOLTAGE	MOUNTING	FINISH	OPTIONS
STL					

MODEL NO.:	OPTICS	LAMP	MOUNTING	FINISH	OPTIONS
<b>S T L</b>	<input type="checkbox"/> TYPE I I ..... (hydroform)	<input type="checkbox"/> 400 <input type="checkbox"/> HPS <input type="checkbox"/> 120 <input type="checkbox"/> 250 <input type="checkbox"/> MH <input type="checkbox"/> 208 <input type="checkbox"/> 200 <input type="checkbox"/> MV <input type="checkbox"/> 240 <input type="checkbox"/> 175 <input type="checkbox"/> 277 <input type="checkbox"/> 150 <input type="checkbox"/> 480 <input type="checkbox"/> MT	<b>ARM MOUNT</b> <input type="checkbox"/> 1 .....	<input type="checkbox"/> DARK BRONZE <b>DBM</b> <input type="checkbox"/> MEDIUM BRONZE <b>MBM</b> <input type="checkbox"/> BLACK <b>BKM</b> <input type="checkbox"/> WHITE <b>WTM</b> <input type="checkbox"/> SILVER <b>SLM</b>	<input type="checkbox"/> CLEAR POLYCARBONATE DIFFUSER ..... <b>LEX</b> <input type="checkbox"/> HOUSE SIDE SHIELD ..... <b>HS</b> <input type="checkbox"/> PHOTO CELL + VOLTAGE (EXAMPLE: PC120V) ..... <b>PC+V</b> <input type="checkbox"/> TWIST LOCK PHOTO CELL+VOLTAGE (EXAMPLE TPC120V) ..... <b>TPC+V</b> <input type="checkbox"/> TWIST LOCK RECEPTACLE ONLY ..... <b>TPR</b>
	<input type="checkbox"/> TYPE II II ..... (hydroform)	<input type="checkbox"/> TYPE III III ..... (hydroform)	<input type="checkbox"/> TYPE IV (FORWARD THROW) IV ..... (segmented)	<input type="checkbox"/> TYPE V V-SQ ..... (segmented)	<input type="checkbox"/> ST 23 ..... (TO FIT OVER 2 3/8" O.D. ARM)  <input type="checkbox"/> ADJUSTABLE KNUCKLE <input type="checkbox"/> NKLE23 ..... (TO FIT OVER 2 3/8" O.D.)  <input type="checkbox"/> NKLE27 ..... (TO FIT OVER 2 7/8" O.D.)
		<b>METAL HALIDE UNITS ONLY</b> USE ED28 LAMP FOR 400 W. USE MEDIUM BASE LAMP FOR 100 W.	<input type="checkbox"/> <b>W M</b> .....  SEE ACCESSORIES SECTION FOR ST23 AND NKLE DETAILS	<input type="checkbox"/> WALL MOUNT	<input type="checkbox"/> SINGLE FUSE (120V., 277V) ..... <b>SF</b> <input type="checkbox"/> DOUBLE FUSE (208V., 240V) ..... <b>DF</b> <input type="checkbox"/> TAMPER PROOF ..... <b>TP</b>