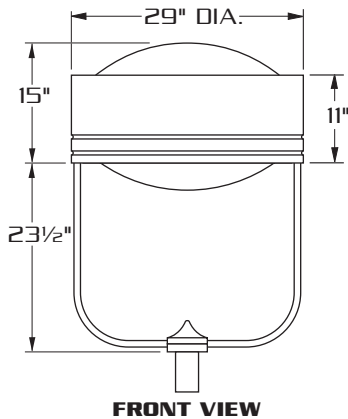
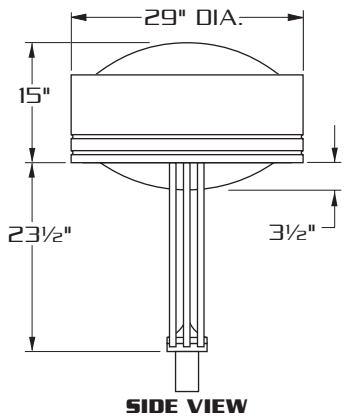
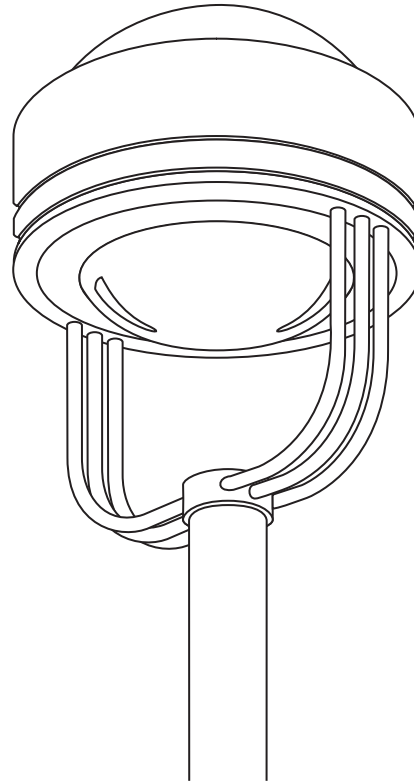


# RVLPT329

(1000 WATT MAX.)



E.P.A.- 2.49



## SPECIFICATIONS

**HOUSING:** HEAVY WALL SPUN ALUMINUM CONSTRUCTION WITH INTEGRAL DOMED TOP. TWIN FLUTES HAVE BEEN INTEGRATED WITH HOUSING TO ADD AESTHETIC VALUE AND TO PROVIDE FOR MULTI COLORED BANDS TO SIGNATURIZE INSTALLATION.

**LENS ASS'Y:** ONE PIECE HINGED HEAVY GAUGE DIE FORMED ALUMINUM DOOR FRAME SURROUNDS 3/16" CLEAR CONVEX GLASS LENS. GLASS IS SEALED TO DOOR WITH HIGH TEMPERATURE SILICONE SEAL. CAPTIVE THUMB SCREW DISENGAGES LENS ASSEMBLY AND ACTIVATES ACCUHINGE™ HINGE TO ALLOW LENS ASSEMBLY TO HINGE AWAY FROM HOUSING FOR LUMINAIRE ACCESS WITHOUT THE USE OF TOOLS.

**OPTICS:** COMPUTER DESIGNED ONE PIECE SEGMENTED SPECULAR REFLECTOR COMBINES WITH CLEAR CONVEX LENS TO PRODUCE A HIGHLY EFFICIENT WIDE SYMMETRIC LIGHT DISTRIBUTION WITH OUTSTANDING UNIFORMITY.

**GASKETING:** CLOSED CELL EPDM GASKETING COMPRESSED BETWEEN DOOR AND HOUSING WORKS IN COMBINATION WITH ACCUHINGE™ HINGE TO PRESSURE SEAL OPTICAL CHAMBER.

**LAMP HOLDER:** MOGUL BASE PORCELAIN.

**LAMP:** (BY OTHERS)

**BALLAST:** H.P.F./C.W.A. AUTOTRANSFORMER. -20° STARTING TEMPERATURE.

**ARM:** SIX (6) EXTRUDED ALUMINUM (.84 O.D.) ARMS WELDED TO A CAST ALUMINUM POLE TOP FITTER. ARMS ARE INTERNALLY WELDED TO LENS FRAME.

**FINISH:** POLYESTER POWDER COAT-STATE OF THE ART 20 PSI PRESSURE POWER WASH AT 140° TEMPERATURE INCORPORATES FOUR STEP IRON PHOSPHATE PROCESS TO CLEANSE AND PRETREAT THE METAL SURFACE FOR MAXIMUM PAINT ADHESION. ELECTROSTATICALLY APPLIED TEXTURED POLYESTER POWDER TOP COAT IS BAKED AT 400° TEMPERATURE FOR MAXIMUM HARDNESS AND EXTERIOR DURABILITY.



660 WEST AVENUE O, PALMDALE, CA. 93551

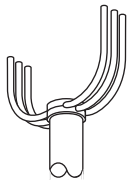
(661) 233-2000

FAX NO. (661) 233-2001

www.usaltg.com

A8-7

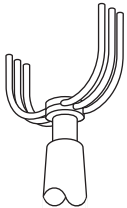
**MOUNTING STYLES**



**PTA**

STANDARD TENON ASSEMBLY FOR 4" & 5" DIA. POLES.

DECORATIVE RING SUPPLIED FOR 6" DIA. POLES. (SPECIFY POLE I.O.)



**PTB**

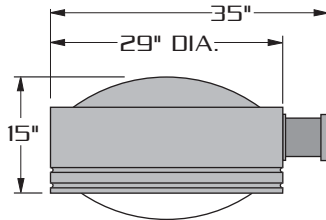
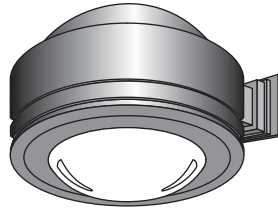
TENON ASSEMBLY FOR TAPERED OR SQUARE POLES. TENON ASSEMBLY IS ALSO AVAILABLE AS AN OPTION FOR 4", 5" OR 6" DIA. POLES

SPECIFY MOUNTING ASSEMBLY:

**PTB27**-TO FIT OVER 2 7/8" O.D. TENON.

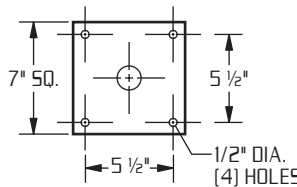
**PTB23**-TO FIT OVER 2 3/8" O.D. TENON.

**WALL MOUNT**

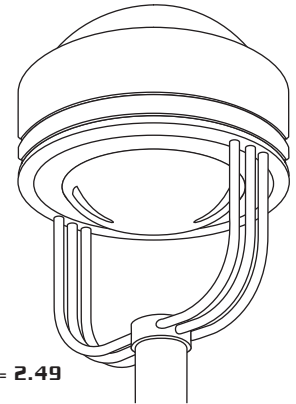


EXTRUDED ALUMINUM ARM AND CAST ALUMINUM WALL BRACKET ASSEMBLY PROVIDED WITH BUILT IN GASKETED WIRE ACCESS FOR FIXTURE/SUPPLY WIRE CONNECTION.

**WALL PLATE**



**LAMP SIZE:  
1000 WATT**



E.P.A. = 2.49

**WIDE THROW BEAM PATTERN.**

**VERTICAL LAMP.**

**COMPUTER DESIGNED SEGMENTED OPTICS.**

**THREE OPTICAL CONFIGURATIONS.**

**FLAT GLASS OPTION FOR FULL CUTOFF OPTICS.**

**ORDERING INFORMATION**

MODEL NO. :	OPTICS	WATTAGE TYPE VOLTAGE	MOUNTING	FINISH	OPTIONS
RVLPT329					

MODEL NO. :	OPTICS	LAMP	MOUNTING	FINISH	OPTIONS
<b>R V L P T 3 2 9</b>	<input type="checkbox"/> ASYMMETRIC ASY... <input type="checkbox"/> TYPE IV (FORWARD THROW) IV... <input type="checkbox"/> TYPE V V-SQ...	<p>WATTAGE TYPE VOLTAGE</p> <input type="checkbox"/> <b>1000 MH</b> (BT56,BT37) <input type="checkbox"/> <b>120</b> <input type="checkbox"/> <b>1000 PSMH</b> (BT37) <input type="checkbox"/> <b>208</b> <input type="checkbox"/> <b>750 PSMH</b> (BT37) <input type="checkbox"/> <b>240</b> <input type="checkbox"/> <b>480</b> <input type="checkbox"/> <b>277</b> <input type="checkbox"/> <b>480</b> <input type="checkbox"/> <b>MT</b>  <input type="checkbox"/> <b>1000 HPS</b> (E25) <input type="checkbox"/> <b>750 HPS</b> (BT37)  <b>1000 MH WITH FG OPTION USE (BT37)</b>  <b>1000 HPS NOT AVAILABLE WITH FG OPTION</b>	<input type="checkbox"/> PTA   <input type="checkbox"/> <b>PTB23</b> (TO FIT 2 3/8" O.D.) <input type="checkbox"/> <b>PTB27</b> (TO FIT 2 7/8" O.D.)  <b>WALL MOUNT</b> <input type="checkbox"/> <b>WM</b> .....	<input type="checkbox"/> DARK BRONZE <b>DBM</b> <input type="checkbox"/> MEDIUM BRONZE <b>MBM</b> <input type="checkbox"/> BLACK <b>BKM</b> <input type="checkbox"/> WHITE <b>WTM</b> <input type="checkbox"/> SILVER <b>SLM</b>  <b>OPTION:</b> <input type="checkbox"/> ANODIZED <b>AZ</b> <small>ANODIZED HOUSING MUST HAVE PAINT FINISH COAT</small> <small>EXAMPLE: <b>AZDBM</b></small> <small>SEE PAGE 3 FOR ADDITIONAL COLORS</small>	<input type="checkbox"/> FLAT TEMPERED GLASS..... <b>FG</b> <input type="checkbox"/> CLEAR POLYCARBONATE DIFFUSER..... <b>LEX</b> <input type="checkbox"/> HOUSE SIDE SHIELD..... <b>HS</b>  <input type="checkbox"/> PHOTO CELL + VOLTAGE (EXAMPLE: PC120V)..... <b>PC+V</b> <input type="checkbox"/> TWIST LOCK PHOTO CELL+VOLTAGE (EXAMPLE TPC120V)..... <b>TPC+V</b> <input type="checkbox"/> TWIST LOCK RECEPTACLE ONLY..... <b>TPR</b> <input type="checkbox"/> SINGLE FUSE (120V., 277V)..... <b>SF</b> <input type="checkbox"/> DOUBLE FUSE (208V., 240V)..... <b>DF</b>



660 WEST AVENUE O, PALMDALE, CA. 93551  
 (661) 233-2000  
 FAX NO. (661) 233-2001  
 www.usaltg.com