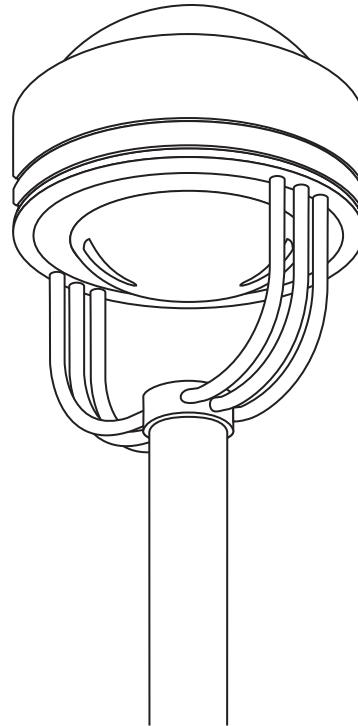
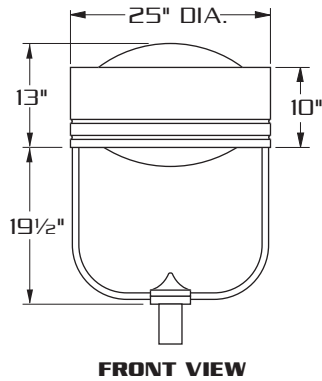
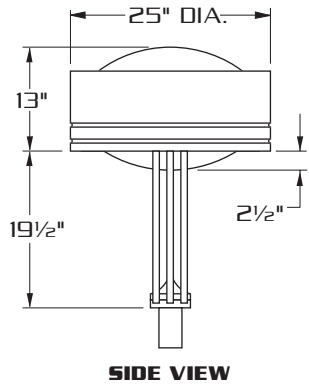


RVLPT325

[400 WATT MAX.]



E.P.A.- 1.92



SPECIFICATIONS

HOUSING: HEAVY WALL SPUN ALUMINUM CONSTRUCTION WITH INTEGRAL DOMED TOP. TWIN FLUTES HAVE BEEN INTEGRATED WITH HOUSING TO ADD AESTHETIC VALUE AND TO PROVIDE FOR MULTI COLORED BANDS TO SIGNATURIZE INSTALLATION.

LENS ASS'Y: ONE PIECE HINGED HEAVY GAUGE DIE FORMED ALUMINUM DOOR FRAME SURROUNDS 3/16" CLEAR CONVEX GLASS LENS. GLASS IS SEALED TO DOOR WITH HIGH TEMPERATURE SILICONE SEAL. CAPTIVE THUMB SCREW DISENGAGES LENS ASSEMBLY AND ACTIVATES ACCUHINGE™ HINGE TO ALLOW LENS ASSEMBLY TO HINGE AWAY FROM HOUSING FOR LUMINAIRE ACCESS WITHOUT THE USE OF TOOLS.

OPTICS: COMPUTER DESIGNED ONE PIECE SEGMENTED SPECULAR REFLECTOR COMBINES WITH CLEAR CONVEX LENS TO PRODUCE A HIGHLY EFFICIENT WIDE SYMMETRIC LIGHT DISTRIBUTION WITH OUTSTANDING UNIFORMITY.

GASKETING: CLOSED CELL EPDM GASKETING COMPRESSED BETWEEN DOOR AND HOUSING WORKS IN COMBINATION WITH ACCUHINGE™ HINGE TO PRESSURE SEAL OPTICAL CHAMBER.

LAMP HOLDER: MOGUL BASE PORCELAIN.

LAMP: [BY OTHERS]

BALLAST: H.P.F./C.W.A. AUTOTRANSFORMER. -20° STARTING TEMPERATURE.

ARM: SIX (6) EXTRUDED ALUMINUM (.84 O.D.) ARMS WELDED TO A CAST ALUMINUM POLE TOP FITTER. ARMS ARE INTERNALLY WELDED TO HOUSING.

FINISH: POLYESTER POWDER COAT-STATE OF THE ART 20 PSI PRESSURE POWER WASH AT 140° TEMPERATURE INCORPORATES FOUR STEP IRON PHOSPHATE PROCESS TO CLEANSE AND PRETREAT THE METAL SURFACE FOR MAXIMUM PAINT ADHESION. ELECTROSTATICALLY APPLIED TEXTURED POLYESTER POWDER TOP COAT IS BAKED AT 400° TEMPERATURE FOR MAXIMUM HARDNESS AND EXTERIOR DURABILITY.



660 WEST AVENUE O, PALMDALE, CA. 93551

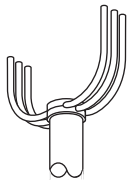
(661) 233-2000

FAX NO. (661) 233-2001

www.usaltg.com

A8-5

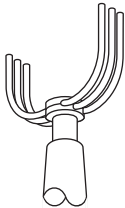
MOUNTING STYLES



PTA

STANDARD TENON ASSEMBLY FOR 4" & 5" DIA. POLES.

DECORATIVE RING SUPPLIED FOR 6" DIA. POLES. (SPECIFY POLE I.D.)



PTB

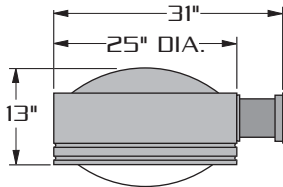
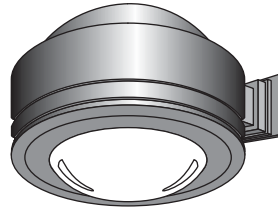
TENON ASSEMBLY FOR TAPERED OR SQUARE POLES. TENON ASSEMBLY IS ALSO AVAILABLE AS AN OPTION FOR 4", 5" OR 6" DIA. POLES

SPECIFY MOUNTING ASSEMBLY:

PTB27-TO FIT OVER 2 7/8" O.D. TENON.

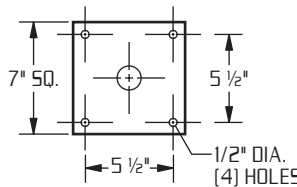
PTB23-TO FIT OVER 2 3/8" O.D. TENON.

WALL MOUNT

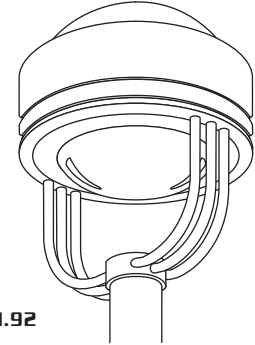


EXTRUDED ALUMINUM ARM AND CAST ALUMINUM WALL BRACKET ASSEMBLY PROVIDED WITH BUILT IN GASKETED WIRE ACCESS FOR FIXTURE/SUPPLY WIRE CONNECTION.

WALL PLATE



**LAMP SIZE:
250 - 400 WATT**



E.P.A.= 1.92

WIDE THROW BEAM PATTERN.

VERTICAL LAMP.

COMPUTER DESIGNED SEGMENTED OPTICS.

THREE OPTICAL CONFIGURATIONS.

FLAT GLASS OPTION FOR FULL CUTOFF OPTICS.

ORDERING INFORMATION

MODEL NO. :	OPTICS	WATTAGE TYPE VOLTAGE	MOUNTING	FINISH	OPTIONS
RVLPT325					

MODEL NO. :	OPTICS	LAMP	MOUNTING	FINISH	OPTIONS
R V L P T 3 2 5	<input type="checkbox"/> ASYMMETRIC ASY... <input type="checkbox"/> TYPE IV (FORWARD THROW) IV... <input type="checkbox"/> TYPE V V-SQ...	<p>WATTAGE TYPE VOLTAGE</p> <input type="checkbox"/> 450 PSMH (ED37) <input type="checkbox"/> 120 <input type="checkbox"/> 400 MH (ED37,ED28) <input type="checkbox"/> 208 <input type="checkbox"/> 400 PSMH (ED37,ED28) <input type="checkbox"/> 240 <input type="checkbox"/> 350 PSMH (ED37,ED28) <input type="checkbox"/> 277 <input type="checkbox"/> 250 MH (ED28) <input type="checkbox"/> 480 <input type="checkbox"/> 250 PSMH (ED28) <input type="checkbox"/> MT <input type="checkbox"/> 400 HPS (ED18) <input type="checkbox"/> 250 HPS (ED18) FOR MH OR PSMH WITH FG OPTION USE ED28	<input type="checkbox"/> PTA <input type="checkbox"/> PTB23 (TO FIT 2 3/8" O.D.) <input type="checkbox"/> PTB27 (TO FIT 2 7/8" O.D.) WALL MOUNT <input type="checkbox"/> WM	<input type="checkbox"/> DARK BRONZE DBM <input type="checkbox"/> MEDIUM BRONZE MBM <input type="checkbox"/> BLACK BKM <input type="checkbox"/> WHITE WTM <input type="checkbox"/> SILVER SLM OPTION: <input type="checkbox"/> ANODIZED AZ ANODIZED HOUSING MUST HAVE PAINT FINISH COAT EXAMPLE: AZDBM SEE PAGE 3 FOR ADDITIONAL COLORS	<input type="checkbox"/> FLAT TEMPERED GLASS..... FG <input type="checkbox"/> CLEAR POLYCARBONATE DIFFUSER..... LEX <input type="checkbox"/> HOUSE SIDE SHIELD..... HS <input type="checkbox"/> PHOTO CELL + VOLTAGE (EXAMPLE: PC120V)..... PC+V <input type="checkbox"/> TWIST LOCK PHOTO CELL+VOLTAGE (EXAMPLE TPC120V)..... TPC+V <input type="checkbox"/> TWIST LOCK RECEPTACLE ONLY..... TPR <input type="checkbox"/> SINGLE FUSE (120V., 277V)..... SF <input type="checkbox"/> DOUBLE FUSE (208V., 240V)..... DF



660 WEST AVENUE O, PALMDALE, CA. 93551
 (661) 233-2000
 FAX NO. (661) 233-2001
 www.usaltg.com