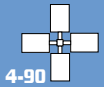
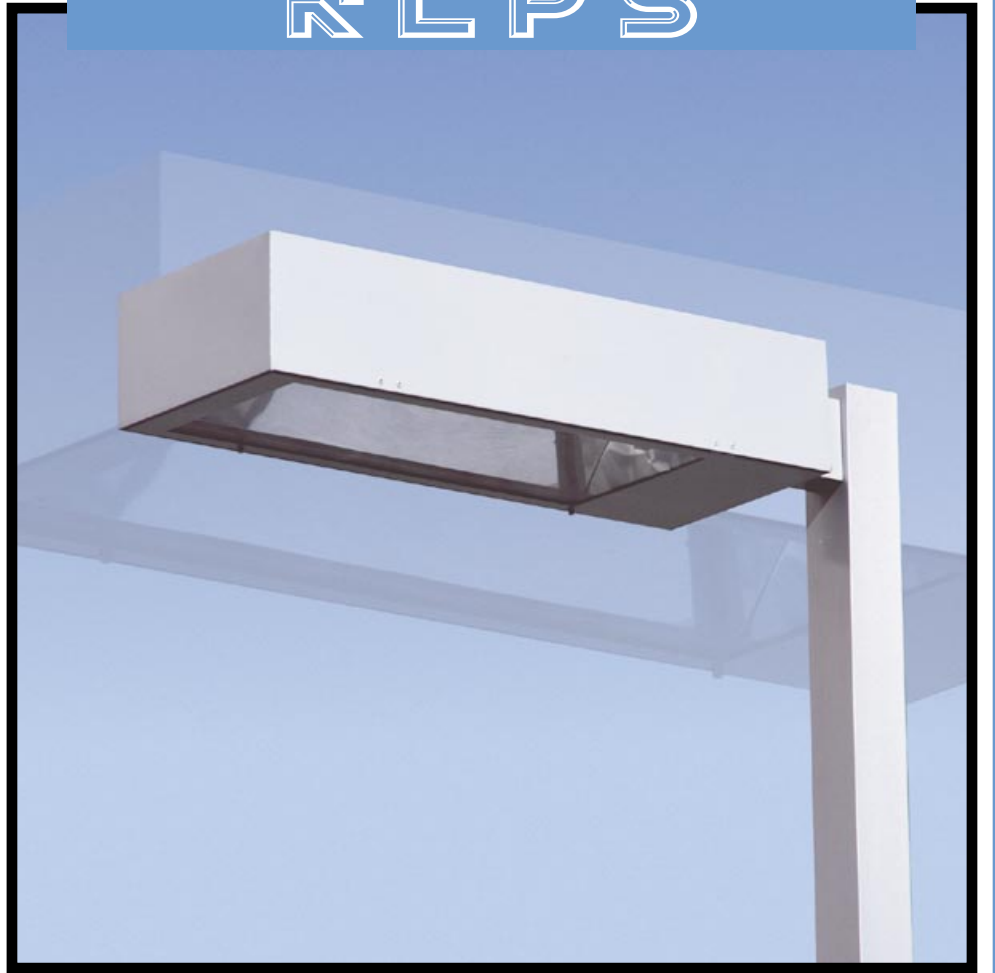
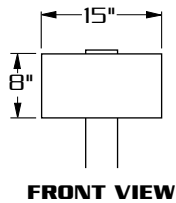
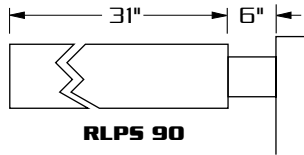
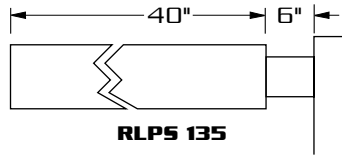
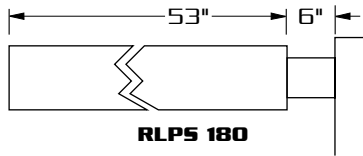


# RLPS

[180 WATT MAX.]



## SPECIFICATIONS

**HOUSING:** ONE PIECE DIE FORMED ALUMINUM CONSTRUCTION WITH SEPARATE BALLAST COMPARTMENT.

**LENS ASS'Y:** ONE PIECE DIE FORMED ALUMINUM DOOR FRAME SURROUNDS 3/16" CLEAR TEMPERED GLASS DIFFUSER. GLASS IS SEALED TO DOOR WITH HIGH TEMPERATURE SILICONE SEAL.

**OPTICS:** SEMI SPECULAR SEGMENTED ALUMINUM REFLECTOR PRODUCES A SHARP CUTOFF.

**GASKETING:** CLOSED CELL SILICONE GASKETING COMPRESSED BETWEEN DOOR AND HOUSING SEALS OPTICAL CHAMBER.

**LAMP HOLDER:** PORCELAIN WITH NICKEL-PLATED BRASS CONTACT.

**LAMP:** (BY OTHERS)

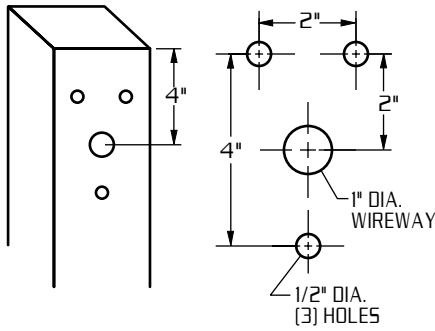
**BALLAST:** H.P.F./C.W.A. AUTOTRANSFORMER. -20° STARTING TEMPERATURE.

**ARM:** 3"X5"X6" LONG HEAVY WALL EXTRUDED ALUMINUM. ARM IS SECURED TO HOUSING AND TO POLE WITH STAINLESS STEEL RODS.

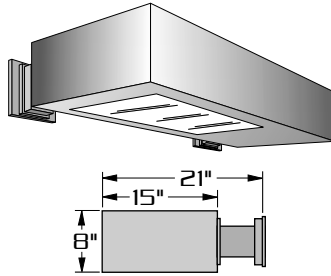
**FINISH:** POLYESTER POWDER COAT-STATE OF THE ART 20 PSI PRESSURE POWER WASH AT 140° TEMPERATURE INCORPORATES FOUR STEP IRON PHOSPHATE PROCESS TO CLEANSE AND PRETREAT THE METAL SURFACE FOR MAXIMUM PAINT ADHESION. ELECTROSTATICALLY APPLIED TEXTURED POLYESTER POWDER TOP COAT IS BAKED AT 400° TEMPERATURE FOR MAXIMUM HARDNESS AND EXTERIOR DURABILITY.



**TYPICAL SQUARE POLE TEMPLATE**

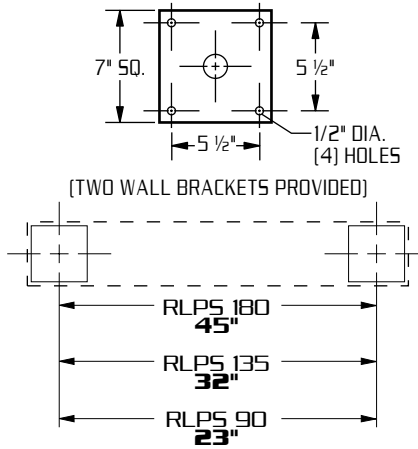


**WALL MOUNT**

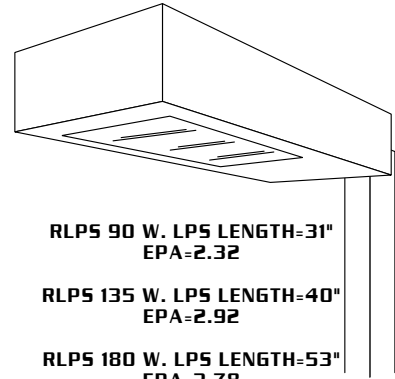


EXTRUDED ALUMINUM ARM AND CAST ALUMINUM WALL BRACKET ASSEMBLY PROVIDED WITH BUILT IN GASKETED WIRE ACCESS FOR FIXTURE/SUPPLY WIRE CONNECTION.

**WALL PLATE**



**LAMP SIZE:  
90 - 180 WATT**



**RLPS 90 W. LPS LENGTH-31"  
EPA-2.32**

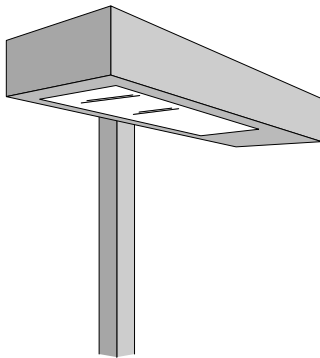
**RLPS 135 W. LPS LENGTH-40"  
EPA-2.92**

**RLPS 180 W. LPS LENGTH-53"  
EPA-3.78**

**DIE FORMED ALUMINUM HOUSING**

**LUMINAIRE SUPPLIED WITH IMPACT RESISTANT TEMPERED GLASS LENS**

**POLE SIDE MOUNTED  
( S1 )**



**ORDERING INFORMATION**

MODEL NO. : RLPS	OPTICS	WATTAGE TYPE VOLTAGE	MOUNTING	FINISH	OPTIONS
<b>MODEL NO. :</b> <b>RLPS</b>	<b>OPTICS</b>	<b>LAMP</b>	<b>MOUNTING</b>	<b>FINISH</b>	<b>OPTIONS</b>
<b>R L P S</b>	<input type="checkbox"/> ASYMMETRIC SINGLE LAMP ASY-I...	<input type="checkbox"/> 180 <input type="checkbox"/> LPS <input type="checkbox"/> 120	<input type="checkbox"/> 1 .....	<input type="checkbox"/> DARK BRONZE DBM	<input type="checkbox"/> CLEAR POLYCARBONATE DIFFUSER ..... LEX
	<input type="checkbox"/> ASYMMETRIC TWIN LAMP ASY-II...	<input type="checkbox"/> 135 <input type="checkbox"/> 208	<input type="checkbox"/> S1 .....	<input type="checkbox"/> MEDIUM BRONZE MBM	<input type="checkbox"/> HOUSE SIDE SHIELD ..... HS
	<input type="checkbox"/> TYPE IV (FORWARD THROW) IV .....	<input type="checkbox"/> 90 <input type="checkbox"/> 240	<b>STREET LIGHTING ARM MOUNT</b>	<input type="checkbox"/> BLACK BKM	<input type="checkbox"/> PHOTO CELL + VOLTAGE (EXAMPLE: PC120V) ..... PC+V
	(pole side mounted or wall mounted only)	<input type="checkbox"/> 277	<input type="checkbox"/> ST 23 .....	<input type="checkbox"/> WHITE WTM	<input type="checkbox"/> TWIST LOCK PHOTO CELL+VOLTAGE (EXAMPLE TPC120V) ..... TPC+V
		<input type="checkbox"/> 480	(TO FIT OVER 2 3/8" O.D. ARM)	<input type="checkbox"/> SILVER SLM	<input type="checkbox"/> TWIST LOCK RECEPTACLE ONLY ..... TPR
		<input type="checkbox"/> MT	<b>ADJUSTABLE KNUCKLE</b>	<b>OPTION:</b>	<input type="checkbox"/> SINGLE FUSE (120V. , 277V) ..... SF
			<input type="checkbox"/> NKLE23 .....	<input type="checkbox"/> ANODIZED AZ	<input type="checkbox"/> DOUBLE FUSE (208V. , 240V) ..... DF
			(TO FIT OVER 2 3/8" O.D.)	ANODIZED HOUSING MUST HAVE PAINT FINISH COAT	<input type="checkbox"/> TAMPER PROOF ..... TP
			<input type="checkbox"/> NKLE27 .....	EXAMPLE: AZDBM	
			(TO FIT OVER 2 7/8" O.D.)	SEE PAGE 3 FOR ADDITIONAL COLORS	
			<b>WALL MOUNT</b>		
			<input type="checkbox"/> WM .....		
			SEE ACCESSORIES SECTION FOR ST23 AND NKLE DETAILS		

