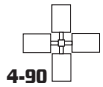
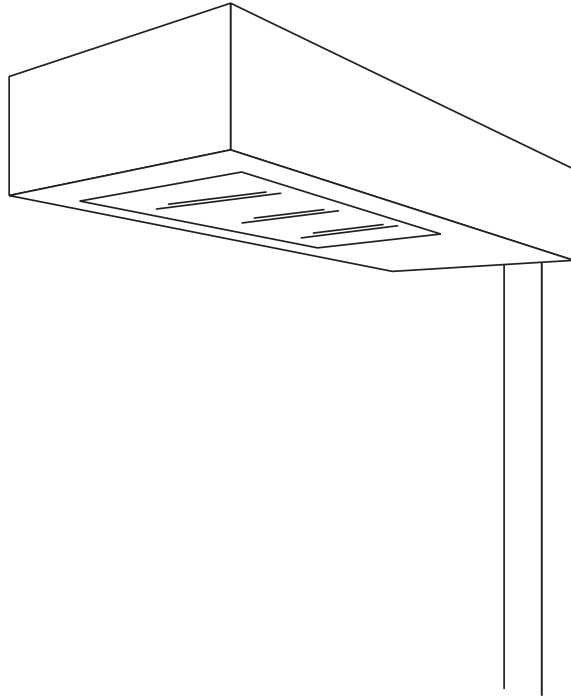
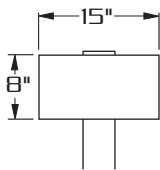
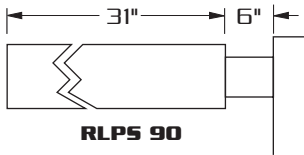
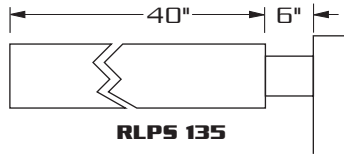
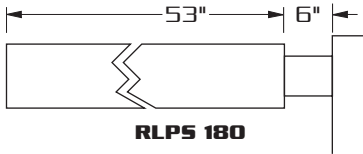


RLPS

(180 WATT MAX.)



SPECIFICATIONS

HOUSING: ONE PIECE DIE FORMED ALUMINUM CONSTRUCTION WITH SEPARATE BALLAST COMPARTMENT.

LENS ASS'Y: ONE PIECE DIE FORMED ALUMINUM DOOR FRAME SURROUNDS 3/16" CLEAR TEMPERED GLASS DIFFUSER. GLASS IS SEALED TO DOOR WITH HIGH TEMPERATURE SILICONE SEAL.

OPTICS: SEMI SPECULAR SEGMENTED ALUMINUM REFLECTOR PRODUCES A SHARP CUTOFF.

GASKETING: CLOSED CELL SILICONE GASKETING COMPRESSED BETWEEN DOOR AND HOUSING SEALS OPTICAL CHAMBER.

LAMP HOLDER: PORCELAIN WITH NICKEL-PLATED BRASS CONTACT.

LAMP: (BY OTHERS)

BALLAST: H.P.F./C.W.A. AUTOTRANSFORMER. -20° STARTING TEMPERATURE.

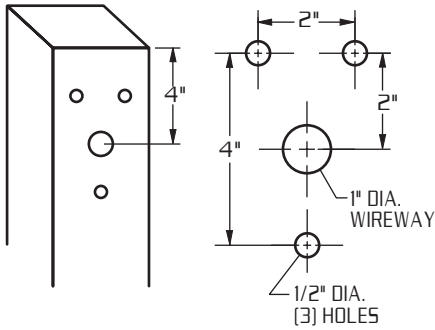
ARM: 3"X5"X6" LONG HEAVY WALL EXTRUDED ALUMINUM. ARM IS SECURED TO HOUSING AND TO POLE WITH STAINLESS STEEL RODS.

FINISH: POLYESTER POWDER COAT-STATE OF THE ART 20 PSI PRESSURE POWER WASH AT 140° TEMPERATURE INCORPORATES FOUR STEP IRON PHOSPHATE PROCESS TO CLEANSE AND PRETREAT THE METAL SURFACE FOR MAXIMUM PAINT ADHESION. ELECTROSTATICALLY APPLIED TEXTURED POLYESTER POWDER TOP COAT IS BAKED AT 400° TEMPERATURE FOR MAXIMUM HARDNESS AND EXTERIOR DURABILITY.

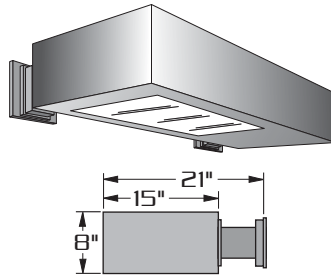


660 WEST AVENUE O, PALMDALE, CA. 93551
 (661) 233-2000
 FAX NO. (661) 233-2001
www.usaltg.com

TYPICAL SQUARE POLE TEMPLATE

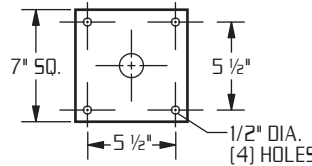


WALL MOUNT

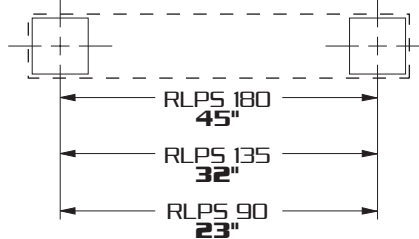


EXTRUDED ALUMINUM ARM AND CAST ALUMINUM WALL BRACKET ASSEMBLY PROVIDED WITH BUILT IN GASKETED WIRE ACCESS FOR FIXTURE/SUPPLY WIRE CONNECTION.

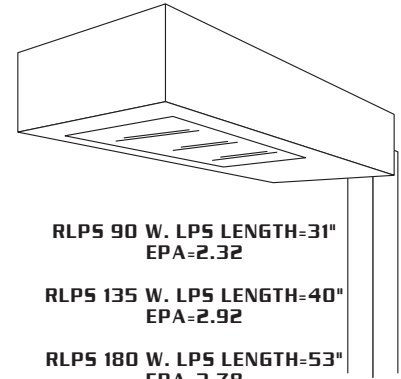
WALL PLATE



(TWO WALL BRACKETS PROVIDED)



**LAMP SIZE:
90 - 180 WATT**



**RLPS 90 W. LPS LENGTH=31"
EPA=2.32**

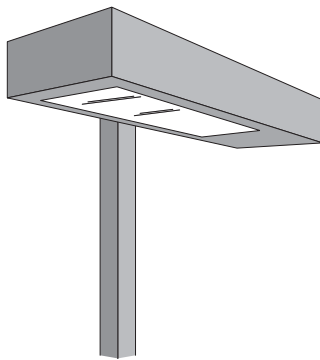
**RLPS 135 W. LPS LENGTH=40"
EPA=2.92**

**RLPS 180 W. LPS LENGTH=53"
EPA=3.78**

DIE FORMED ALUMINUM HOUSING

**LUMINAIRE SUPPLIED WITH
IMPACT RESISTANT TEMPERED
GLASS LENS**

**POLE SIDE MOUNTED
(51)**



ORDERING INFORMATION

MODEL NO. : RLPS	OPTICS	WATTAGE TYPE VOLTAGE	MOUNTING	FINISH	OPTIONS
---------------------	--------	----------------------	----------	--------	---------

MODEL NO. :	OPTICS	LAMP	MOUNTING	FINISH	OPTIONS	
RLPS	<input type="checkbox"/> ASYMMETRIC SINGLE LAMP ASY-I...	<input type="checkbox"/> 180 <input type="checkbox"/> LPS <input type="checkbox"/> 120 <input type="checkbox"/> 135 <input type="checkbox"/> 208 <input type="checkbox"/> 90 <input type="checkbox"/> 240 <input type="checkbox"/> 277 <input type="checkbox"/> 480 <input type="checkbox"/> MT	ARM MOUNT <input type="checkbox"/> 1 <input type="checkbox"/> S1 STREET LIGHTING ARM MOUNT <input type="checkbox"/> ST23 (TO FIT OVER 2 3/8" O.D. ARM) ADJUSTABLE KNUCKLE <input type="checkbox"/> NKLE23 (TO FIT OVER 2 3/8" O.D.) <input type="checkbox"/> NKLE27 (TO FIT OVER 2 7/8" O.D.) WALL MOUNT <input type="checkbox"/> WM SEE ACCESSORIES SECTION FOR ST23 AND NKLE DETAILS	<input type="checkbox"/> DARK BRONZE DBM <input type="checkbox"/> MEDIUM BRONZE MBM <input type="checkbox"/> BLACK BKM <input type="checkbox"/> WHITE WTM <input type="checkbox"/> SILVER SLM OPTION: <input type="checkbox"/> ANODIZED AZ ANODIZED HOUSING MUST HAVE PAINT FINISH COAT EXAMPLE: AZDBM SEE PAGE 3 FOR ADDITIONAL COLORS	<input type="checkbox"/> CLEAR POLYCARBONATE DIFFUSER LEX <input type="checkbox"/> HOUSE SIDE SHIELD HS <input type="checkbox"/> PHOTO CELL + VOLTAGE (EXAMPLE: PC120V) PC+V <input type="checkbox"/> TWIST LOCK PHOTO CELL+VOLTAGE (EXAMPLE TPC120V) TPC+V <input type="checkbox"/> TWIST LOCK RECEPTACLE ONLY TPR <input type="checkbox"/> SINGLE FUSE (120V. , 277V) SF <input type="checkbox"/> DOUBLE FUSE (208V. , 240V) DF <input type="checkbox"/> TAMPER PROOF TP	
	<input type="checkbox"/> ASYMMETRIC TWIN LAMP ASY-II...					
	<input type="checkbox"/> TYPE IV (FORWARD THROW) IV..... (pole side mounted or wall mounted only)					



660 WEST AVENUE O, PALMDALE, CA. 93551
 (661) 233-2000
 FAX NO. (661) 233-2001
 www.usaltg.com