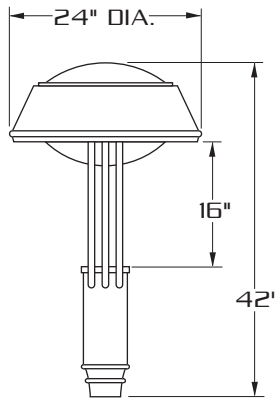
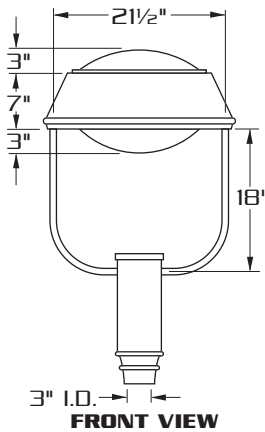


GALAXY 7

[400 WATT MAX.]



PATENT PENDING

<ul style="list-style-type: none"> SOLID PYRAMID TOP TEMPERED GLASS LENS HORIZONTAL LAMP 400 W. MAX LAMP <p>GLX-711 E.P.A. = 1.74</p>	<ul style="list-style-type: none"> SOLID PYRAMID TOP CONVEX GLASS LENS HORIZONTAL OR VERTICAL LAMP 400 W. MAX LAMP <p>GLX-712 E.P.A. = 1.87</p>	<ul style="list-style-type: none"> SOLID PYRAMID TOP DROP GLASS LENS HORIZONTAL LAMP 400 W. MAX LAMP <p>GLX-713 E.P.A. = 1.87</p>	<ul style="list-style-type: none"> SOLID PYRAMID TOP TEAR DROP ACRYLIC HORIZONTAL OR VERTICAL LAMP 250 W. MAX LAMP <p>GLX-714 E.P.A. = 2.24</p>
<ul style="list-style-type: none"> SOLID DOME TOP TEMPERED GLASS LENS HORIZONTAL LAMP 400 W. MAX LAMP <p>GLX-721 E.P.A. = 1.63</p>	<ul style="list-style-type: none"> SOLID DOME TOP CONVEX GLASS LENS HORIZONTAL OR VERTICAL LAMP 400 W. MAX LAMP <p>GLX-722 E.P.A. = 1.76</p>	<ul style="list-style-type: none"> SOLID DOME TOP DROP GLASS LENS HORIZONTAL LAMP 400 W. MAX LAMP <p>GLX-723 E.P.A. = 1.76</p>	<ul style="list-style-type: none"> SOLID DOME TOP TEAR DROP ACRYLIC HORIZONTAL OR VERTICAL LAMP 250 W. MAX LAMP <p>GLX-724 E.P.A. = 2.13</p>
<ul style="list-style-type: none"> UP LIGHT TEMPERED GLASS LENS HORIZONTAL LAMP 400 W. MAX LAMP <p>GLX-731 E.P.A. = 1.66</p>	<ul style="list-style-type: none"> UP LIGHT CONVEX GLASS LENS HORIZONTAL OR VERTICAL LAMP 400 W. MAX LAMP <p>GLX-732 E.P.A. = 1.79</p>	<ul style="list-style-type: none"> UP LIGHT DROP GLASS LENS HORIZONTAL LAMP 400 W. MAX LAMP <p>GLX-733 E.P.A. = 1.79</p>	<ul style="list-style-type: none"> UP LIGHT DROP GLASS LENS HORIZONTAL LAMP 250 W. MAX LAMP <p>GLX-734 E.P.A. = 2.16</p>
<ul style="list-style-type: none"> UP LIGHT WITH CAST GUARD TEMPERED GLASS LENS HORIZONTAL LAMP 400 W. MAX LAMP <p>GLX-741 E.P.A. = 1.70</p>	<ul style="list-style-type: none"> UP LIGHT WITH CAST GUARD CONVEX GLASS LENS HORIZONTAL LAMP 400 W. MAX LAMP <p>GLX-742 E.P.A. = 1.83</p>	<ul style="list-style-type: none"> UP LIGHT WITH CAST GUARD DROP GLASS LENS HORIZONTAL LAMP 400 W. MAX LAMP <p>GLX-743 E.P.A. = 1.83</p>	<ul style="list-style-type: none"> UP LIGHT WITH CAST GUARD TEAR DROP ACRYLIC HORIZONTAL LAMP 250 W. MAX LAMP <p>GLX-744 E.P.A. = 2.20</p>



HOUSING: DURABLE. CORROSION RESISTANT. PRECISE CAST ALUMINUM CONSTRUCTION.

LENS ASS'Y: ONE PIECE, DIE FORMED ALUMINUM DOOR FRAME SURROUNDS LENS. LENS IS SEALED TO DOOR FRAME WITH HIGH TEMPERATURE SILICONE SEAL. CAPTIVE THUMB SCREW IS LOOSENED TO DISENGAGE LENS ASSEMBLY FROM HOUSING. THIS ACTIVATES ACCUHINGE™ TO ALLOW LENS ASSEMBLY TO HINGE AWAY FROM HOUSING FOR LUMINAIRE ACCESS WITHOUT USE OF TOOLS.

OPTICS: COMPUTER DESIGNED ONE PIECE SPECULAR SEGMENTED REFLECTOR COMBINES WITH CLEAR TEMPERED CONVEX LENS TO PRODUCE A WIDE SYMMETRIC EFFICIENT LIGHT DISTRIBUTION WITH OUTSTANDING UNIFORMITY. (OTHER OPTICS AVAILABLE. SEE ORDERING INFORMATION)

GASKETING: CLOSED CELL EPDM GASKETING COMPRESSED BETWEEN DOOR FRAME AND HOUSING WORKS IN COMBINATION WITH ACCUHINGE™ TO PRESSURE SEAL OPTICAL CHAMBER AND PREVENT ENTRY OF CONTAMINANTS INTO OPTICAL CHAMBER.

LAMP HOLDER: M06UL BASE PORCELAIN.

LAMP: (BY OTHERS)

BALLAST: H.P.F./C.W.A. AUTOTRANSFORMER. -20° STARTING TEMPERATURE.

ARM ASS'Y: SIX (6) EXTRUDED ALUMINUM (.84 O.D.) ARMS ARE WELDED TO AN EXTRUDED ALUMINUM ARM FITTER. ARMS ARE INTERNALLY WELDED TO HOUSING TO COSMETICALLY CONCEAL WELDS. GASKETED ARM FITTER HOUSES BALLAST.

FINISH: POLYESTER POWDER COAT-STATE OF THE ART 20 PSI PRESSURE POWER WASH AT 140° TEMPERATURE INCORPORATES FOUR STEP IRON PHOSPHATE PROCESS TO CLEANSE AND PRETREAT THE METAL SURFACE FOR MAXIMUM PAINT ADHESION. ELECTROSTATICALLY APPLIED TEXTURED POLYESTER POWDER TOPCOAT IS BAKED AT 400° TEMPERATURE FOR MAXIMUM HARDNESS AND EXTERIOR DURABILITY.



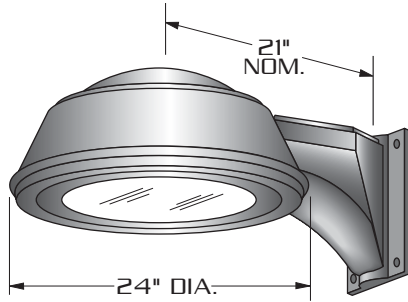
660 WEST AVENUE O, PALMDALE, CA. 93551

(661) 233-2000

FAX NO. (661) 233-2001

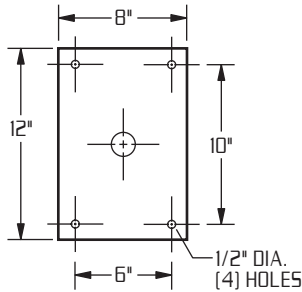
www.usaltg.com

WALL MOUNT

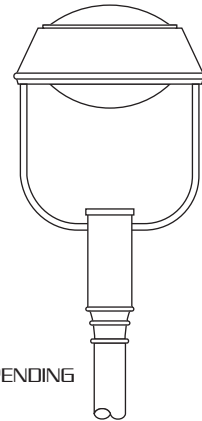


CORROSION RESISTANT CAST ALUMINUM ARM IS SUPPLIED WITH REMOVABLE CAST ALUMINUM TOP CAP FOR EASY ACCESS TO ELECTRICAL COMPONENTS.

WALL PLATE



LAMP SIZE:
70 - 400 WATT



PATENT PENDING

DURABLE CAST ALUMINUM CONSTRUCTION.

HORIZONTAL AND VERTICAL LAMP OPTIONS.

FIVE LIGHT DISTRIBUTIONS.

DECORATIVE UPLIGHT COMPONENT. (730 AND 740 SERIES)

ORDERING INFORMATION

MODEL NO. : GLX-	OPTICS	WATTAGE TYPE VOLTAGE	MOUNTING	FINISH	OPTIONS
MODEL NO. : GLX	HORIZONTAL LAMP REFLECTORS <input type="checkbox"/> TYPE II HR-II (hydroform, horizontal lamp) <input type="checkbox"/> TYPE III HR-III (segmented, horizontal lamp) <input type="checkbox"/> TYPE IV (FORWARD THROW) HR-IV (segmented, horizontal lamp) <input type="checkbox"/> TYPE V HR-V-SQ (segmented, horizontal lamp) VERTICAL LAMP REFLECTORS <input type="checkbox"/> ASYMMETRIC ASY (segmented, vertical lamp) <input type="checkbox"/> TYPE V VR-V-SQ (segmented, vertical lamp)	WATTAGE TYPE VOLTAGE <input type="checkbox"/> 400 <input type="checkbox"/> HPS <input type="checkbox"/> 120 <input type="checkbox"/> 250 <input type="checkbox"/> MH <input type="checkbox"/> 208 <input type="checkbox"/> 200 <input type="checkbox"/> MV <input type="checkbox"/> 240 <input type="checkbox"/> 175 <input type="checkbox"/> 277 <input type="checkbox"/> 150 <input type="checkbox"/> 480 <input type="checkbox"/> 100 <input type="checkbox"/> MT <input type="checkbox"/> 75 <input type="checkbox"/> 70 METAL HALIDE UNITS ONLY USE ED28 LAMP FOR 400 W. USE MEDIUM BASE LAMP FOR 100 W.	<input type="checkbox"/> PT.....● WALL MOUNT <input type="checkbox"/> WM.....●	<input type="checkbox"/> DARK BRONZE DBM <input type="checkbox"/> MEDIUM BRONZE MBM <input type="checkbox"/> BLACK BKM <input type="checkbox"/> WHITE WTM <input type="checkbox"/> SILVER SLM	<input type="checkbox"/> HOUSE SIDE SHIELDHS <input type="checkbox"/> PHOTO CELL + VOLTAGE (EXAMPLE: PC120V)PC+V <input type="checkbox"/> SINGLE FUSE (120V., 277V)SF <input type="checkbox"/> DOUBLE FUSE (208V., 240V)DF
				SEE PAGE 3 FOR ADDITIONAL COLORS	