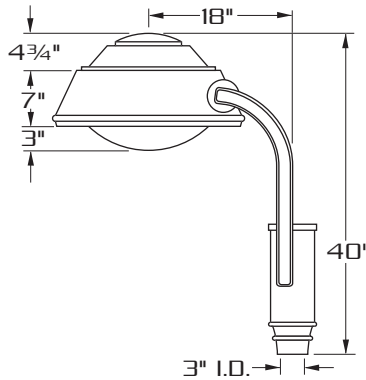
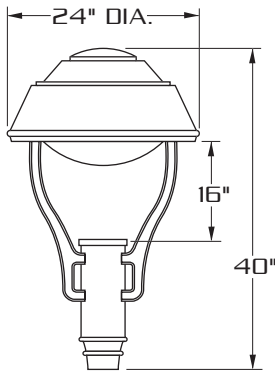


# GALAXY 6

[400 WATT MAX.]



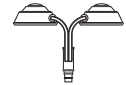
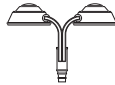
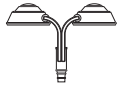
FRONT VIEW



SIDE VIEW

PATENT PENDING

 <ul style="list-style-type: none"> <li>SOLID PYRAMID TOP</li> <li>TEMPERED GLASS LENS</li> <li>HORIZONTAL LAMP</li> <li>400 W. MAX LAMP</li> </ul>	 <ul style="list-style-type: none"> <li>SOLID PYRAMID TOP</li> <li>CONVEX GLASS LENS</li> <li>HORIZONTAL OR VERTICAL LAMP</li> <li>400 W. MAX LAMP</li> </ul>	 <ul style="list-style-type: none"> <li>SOLID PYRAMID TOP</li> <li>DROP GLASS LENS</li> <li>HORIZONTAL LAMP</li> <li>400 W. MAX LAMP</li> </ul>	 <ul style="list-style-type: none"> <li>SOLID PYRAMID TOP</li> <li>TEAR DROP ACRYLIC</li> <li>HORIZONTAL OR VERTICAL LAMP</li> <li>250 W. MAX LAMP</li> </ul>
 <ul style="list-style-type: none"> <li>SOLID DOME TOP</li> <li>TEMPERED GLASS LENS</li> <li>HORIZONTAL LAMP</li> <li>400 W. MAX LAMP</li> </ul>	 <ul style="list-style-type: none"> <li>SOLID DOME TOP</li> <li>CONVEX GLASS LENS</li> <li>HORIZONTAL OR VERTICAL LAMP</li> <li>400 W. MAX LAMP</li> </ul>	 <ul style="list-style-type: none"> <li>SOLID DOME TOP</li> <li>DROP GLASS LENS</li> <li>HORIZONTAL LAMP</li> <li>400 W. MAX LAMP</li> </ul>	 <ul style="list-style-type: none"> <li>SOLID DOME TOP</li> <li>TEAR DROP ACRYLIC</li> <li>HORIZONTAL OR VERTICAL LAMP</li> <li>250 W. MAX LAMP</li> </ul>
 <ul style="list-style-type: none"> <li>UP-LIGHT</li> <li>TEMPERED GLASS LENS</li> <li>HORIZONTAL LAMP</li> <li>400 W. MAX LAMP</li> </ul>	 <ul style="list-style-type: none"> <li>UP-LIGHT</li> <li>CONVEX GLASS LENS</li> <li>HORIZONTAL LAMP</li> <li>400 W. MAX LAMP</li> </ul>	 <ul style="list-style-type: none"> <li>UP-LIGHT</li> <li>DROP GLASS LENS</li> <li>HORIZONTAL LAMP</li> <li>400 W. MAX LAMP</li> </ul>	 <ul style="list-style-type: none"> <li>UP-LIGHT</li> <li>TEAR DROP ACRYLIC</li> <li>HORIZONTAL LAMP</li> <li>250 W. MAX LAMP</li> </ul>
 <ul style="list-style-type: none"> <li>UP-LIGHT WITH CAST GUARD</li> <li>TEMPERED GLASS LENS</li> <li>HORIZONTAL LAMP</li> <li>400 W. MAX LAMP</li> </ul>	 <ul style="list-style-type: none"> <li>UP-LIGHT WITH CAST GUARD</li> <li>CONVEX GLASS LENS</li> <li>HORIZONTAL LAMP</li> <li>400 W. MAX LAMP</li> </ul>	 <ul style="list-style-type: none"> <li>UP-LIGHT WITH CAST GUARD</li> <li>DROP GLASS LENS</li> <li>HORIZONTAL LAMP</li> <li>400 W. MAX LAMP</li> </ul>	 <ul style="list-style-type: none"> <li>UP-LIGHT WITH CAST GUARD</li> <li>TEAR DROP ACRYLIC</li> <li>HORIZONTAL LAMP</li> <li>250 W. MAX LAMP</li> </ul>



## SPECIFICATIONS

**HOUSING:** DURABLE CORROSION RESISTANT. PRECISE CAST ALUMINUM CONSTRUCTION.

**LENS ASS'Y:** ONE PIECE, DIE FORMED ALUMINUM DOOR FRAME SURROUNDS LENS. LENS IS SEALED TO DOOR FRAME WITH HIGH TEMPERATURE SILICONE SEAL. CAPTIVE THUMB SCREW IS LOOSENEED TO DISENGAGE LENS ASSEMBLY FROM HOUSING. THIS ACTIVATES ACCUHINGE™ TO ALLOW LENS ASSEMBLY TO HINGE AWAY FROM HOUSING FOR LUMINAIRE ACCESS WITHOUT USE OF TOOLS.

**OPTICS:** COMPUTER DESIGNED SPECULAR SEGMENTED SIDE REFLECTORS WITH AN AUXILIARY PATTERNED TOP REFLECTOR COMBINES WITH CLEAR TEMPERED CONVEX GLASS LENS TO PRODUCE EFFICIENT ASYMMETRIC LIGHT DISTRIBUTION WITH SHARP CUTOFF. (OTHER OPTICS AVAILABLE. SEE ORDERING INFORMATION)

**GASKETING:** CLOSED CELL EPDM GASKETING COMPRESSED BETWEEN DOOR FRAME AND HOUSING WORKS IN COMBINATION WITH ACCUHINGE™ TO PRESSURE SEAL OPTICAL CHAMBER AND PREVENT ENTRY OF CONTAMINANTS INTO OPTICAL CHAMBER.

**LAMP HOLDER:** MOGUL BASE PORCELAIN.

**LAMP:** (BY OTHERS)

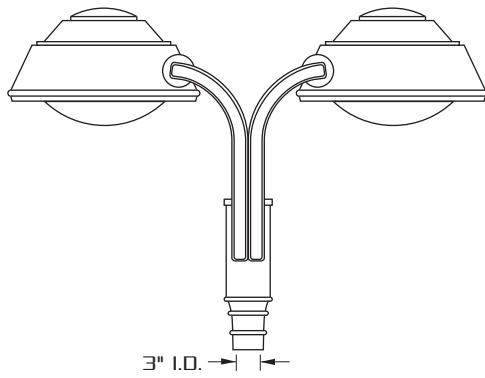
**BALLAST:** H.P.F./C.W.A. AUTOTRANSFORMER. -20° STARTING TEMPERATURE.

**ARM ASS'Y:** CAST ALUMINUM CONSTRUCTION. ARMS ARE WELDED TO AN EXTRUDED ALUMINUM ARM FITTER. GASKETED ARM FITTER HOUSES BALLAST.

**FINISH:** POLYESTER POWDER COAT-STATE OF THE ART 20 PSI PRESSURE POWER WASH AT 140° TEMPERATURE INCORPORATES FOUR STEP IRON PHOSPHATE PROCESS TO CLEANSE AND PRETREAT THE METAL SURFACE FOR MAXIMUM PAINT ADHESION. ELECTROSTATICALLY APPLIED TEXTURED POLYESTER POWDER TOPCOAT IS BAKED AT 400° TEMPERATURE FOR MAXIMUM HARDNESS AND EXTERIOR DURABILITY.

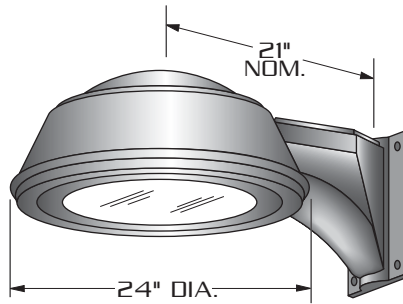


**TWIN MOUNT**



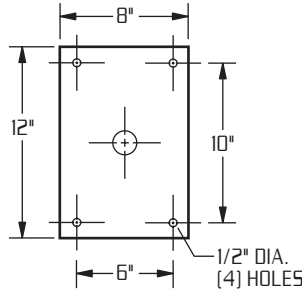
**PT2-180**

**WALL MOUNT**

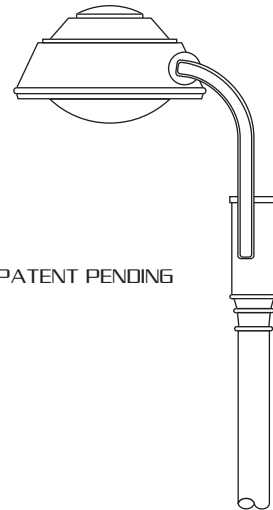


CORROSION RESISTANT CAST ALUMINUM ARM IS SUPPLIED WITH REMOVABLE CAST ALUMINUM TOP CAP FOR EASY ACCESS TO ELECTRICAL COMPONENTS.

**WALL PLATE**



**LAMP SIZE:  
70 - 400 WATT**



PATENT PENDING

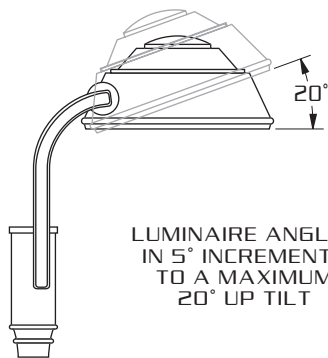
**DURABLE CAST ALUMINUM CONSTRUCTION.**

**HORIZONTAL AND VERTICAL LAMP OPTIONS.**

**FIVE LIGHT DISTRIBUTIONS.**

**DECORATIVE UPLIGHT COMPONENT. (630 AND 640 SERIES)**

**UP TILT**



LUMINAIRE ANGLES IN 5° INCREMENTS TO A MAXIMUM 20° UP TILT

**ORDERING INFORMATION**

MODEL NO. : GLX-	OPTICS	WATTAGE TYPE VOLTAGE	MOUNTING	FINISH	OPTIONS
---------------------	--------	----------------------	----------	--------	---------

MODEL NO. :	OPTICS	LAMP	MOUNTING	FINISH	OPTIONS
<b>GLX</b>	<b>HORIZONTAL LAMP REFLECTORS</b>	WATTAGE TYPE VOLTAGE	<input type="checkbox"/> PT..... ●	<input type="checkbox"/> DARK BRONZE DBM	<input type="checkbox"/> HOUSE SIDE SHIELD .....HS
	<input type="checkbox"/> TYPE II HR-II..... (hydroform, horizontal lamp)	<input type="checkbox"/> 400 <input type="checkbox"/> HPS <input type="checkbox"/> 120	<input type="checkbox"/> PT-180.....●●	<input type="checkbox"/> MEDIUM BRONZE MBM	<input type="checkbox"/> PHOTO CELL + VOLTAGE (EXAMPLE: PC120V) .....PC+V
	<input type="checkbox"/> TYPE III HR-III..... (segmented, horizontal lamp)	<input type="checkbox"/> 250 <input type="checkbox"/> MH <input type="checkbox"/> 208	<b>WALL MOUNT</b>	<input type="checkbox"/> BLACK BKM	<input type="checkbox"/> SINGLE FUSE (120V., 277V) .....SF
	<input type="checkbox"/> TYPE IV (FORWARD THROW) HR-IV..... (segmented, horizontal lamp)	<input type="checkbox"/> 200 <input type="checkbox"/> MV <input type="checkbox"/> 240	<input type="checkbox"/> WM.....●	<input type="checkbox"/> WHITE WTM	<input type="checkbox"/> DOUBLE FUSE (208V., 240V) .....DF
	<input type="checkbox"/> TYPE V (FORWARD THROW) HR-V-SQ..... (segmented, horizontal lamp)	<input type="checkbox"/> 175 <input type="checkbox"/> 277		<input type="checkbox"/> SILVER SLM	
	<input type="checkbox"/> TYPE V HR-V-SQ..... (segmented, horizontal lamp)	<input type="checkbox"/> 150 <input type="checkbox"/> 480			
	<input type="checkbox"/> TYPE V HR-V-SQ..... (segmented, horizontal lamp)	<input type="checkbox"/> 100 <input type="checkbox"/> MT			
	<input type="checkbox"/> TYPE V HR-V-SQ..... (segmented, horizontal lamp)	<input type="checkbox"/> 75			
	<input type="checkbox"/> TYPE V HR-V-SQ..... (segmented, horizontal lamp)	<input type="checkbox"/> 70			
	<b>VERTICAL LAMP REFLECTORS</b>	<b>METAL HALIDE UNITS ONLY</b> USE ED28 LAMP FOR 400 W. USE MEDIUM BASE LAMP FOR 100 W.			SEE PAGE 3 FOR ADDITIONAL COLORS
<input type="checkbox"/> ASYMMETRIC ASY..... (segmented, vertical lamp)					
<input type="checkbox"/> TYPE V VR-V-SQ..... (segmented, vertical lamp)					



660 WEST AVENUE O, PALMDALE, CA. 93551  
(661) 233-2000  
FAX NO. (661) 233-2001  
www.usaltg.com