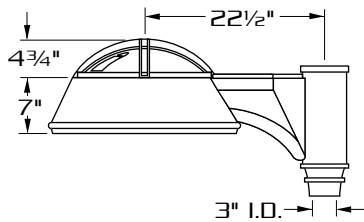
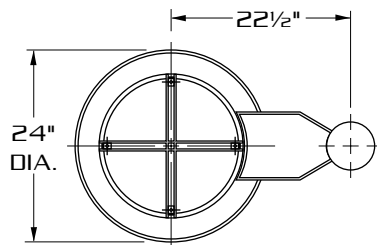


GALAXY 3

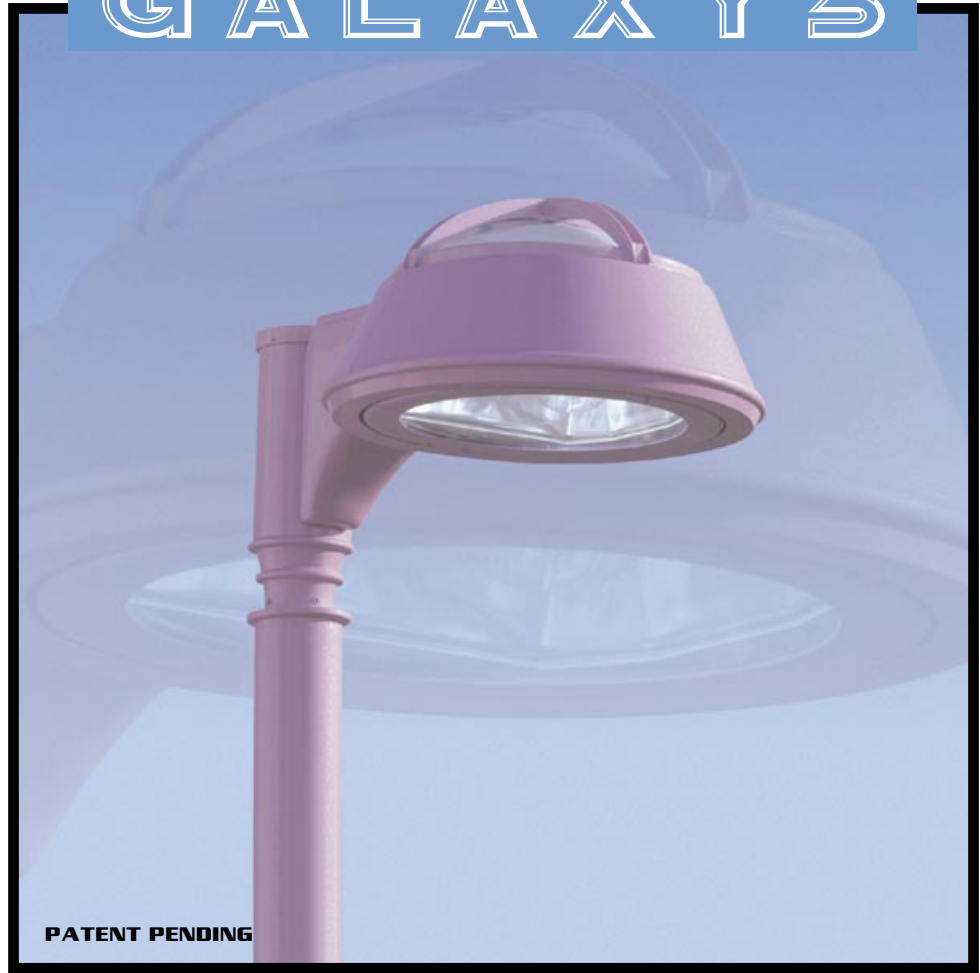
[400 WATT MAX.]



SIDE VIEW



TOP VIEW



PATENT PENDING



WM



1



2-180



2-90



3-90



3-120



4-90

SPECIFICATIONS

HOUSING: DURABLE CORROSION RESISTANT. PRECISE CAST ALUMINUM CONSTRUCTION. DECORATIVE CAST ALUMINUM STRUTS ACCENTUATE UPLIGHT.

LENS ASS'Y: ONE PIECE, DIE FORMED ALUMINUM DOOR FRAME SURROUNDS LENS. LENS IS SEALED TO DOOR FRAME WITH HIGH TEMPERATURE SILICONE SEAL. CAPTIVE THUMB SCREW IS LOOSENED TO DISENGAGE LENS ASSEMBLY FROM HOUSING. THIS ACTIVATES ACCUHINGE™ TO ALLOW LENS ASSEMBLY TO HINGE AWAY FROM HOUSING FOR LUMINAIRE ACCESS WITHOUT USE OF TOOLS.

OPTICS: COMPUTER DESIGNED ONE PIECE SEMI SPECULAR HYDROFORMED REFLECTOR COMBINES WITH CLEAR TEMPERED LENS TO PRODUCE AN EXTREMELY EFFICIENT ASYMMETRIC LIGHT DISTRIBUTION. LUMINAIRE PROVIDED WITH UP LIGHT COMPONENT. (OTHER OPTICS AVAILABLE. SEE ORDERING INFORMATION)

GASKETING: CLOSED CELL EPDM GASKETING COMPRESSED BETWEEN DOOR FRAME AND HOUSING WORKS IN COMBINATION WITH ACCUHINGE™ TO PRESSURE SEAL OPTICAL CHAMBER AND PREVENT ENTRY OF CONTAMINANTS INTO OPTICAL CHAMBER.

LAMP HOLDER: MOGUL BASE PORCELAIN.

LAMP: (BY OTHERS)

BALLAST: H.P.F./C.W.A. AUTOTRANSFORMER. -20° STARTING TEMPERATURE.

ARM: CORROSION RESISTANT TWO PIECE CAST ALUMINUM CONSTRUCTION. REMOVABLE ARM COVER GASKETED TO PRESSURE SEAL ARM WHICH HOUSES BALLAST.

FINISH: POLYESTER POWDER COAT-STATE OF THE ART 20 PSI PRESSURE POWER WASH AT 140° TEMPERATURE INCORPORATES FOUR STEP IRON PHOSPHATE PROCESS TO CLEANSE AND PRETREAT THE METAL SURFACE FOR MAXIMUM PAINT ADHESION. ELECTROSTATICALLY APPLIED TEXTURED POLYESTER POWDER TOPCOAT IS BAKED AT 400° TEMPERATURE FOR MAXIMUM HARDNESS AND EXTERIOR DURABILITY.



660 WEST AVENUE O, PALMDALE, CA. 93551

(661) 233-2000

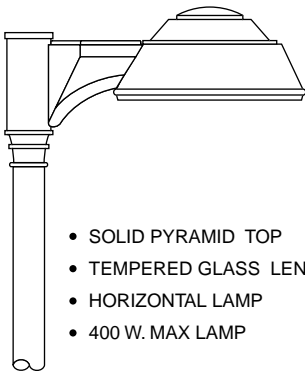
FAX NO. (661) 233-2001

www.usaltg.com

A6-5

GLX-311

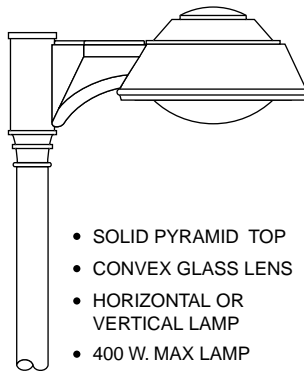
E.P.A. = 1.75



- SOLID PYRAMID TOP
- TEMPERED GLASS LENS
- HORIZONTAL LAMP
- 400 W. MAX LAMP

GLX-312

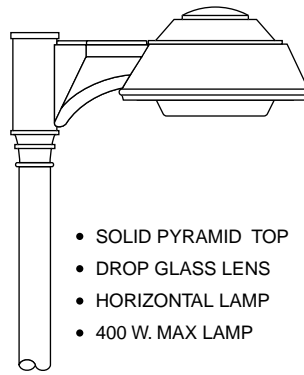
E.P.A. = 1.88



- SOLID PYRAMID TOP
- CONVEX GLASS LENS
- HORIZONTAL OR VERTICAL LAMP
- 400 W. MAX LAMP

GLX-313

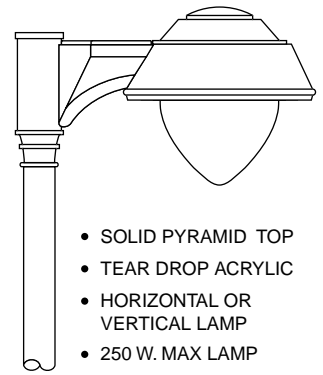
E.P.A. = 1.88



- SOLID PYRAMID TOP
- DROP GLASS LENS
- HORIZONTAL LAMP
- 400 W. MAX LAMP

GLX-314

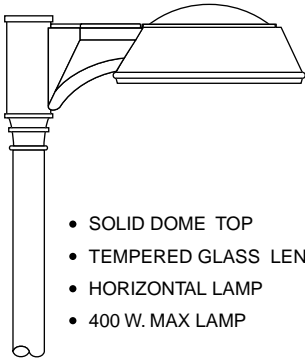
E.P.A. = 2.25



- SOLID PYRAMID TOP
- TEAR DROP ACRYLIC
- HORIZONTAL OR VERTICAL LAMP
- 250 W. MAX LAMP

GLX-321

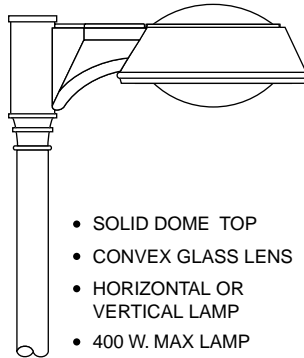
E.P.A. = 1.65



- SOLID DOME TOP
- TEMPERED GLASS LENS
- HORIZONTAL LAMP
- 400 W. MAX LAMP

GLX-322

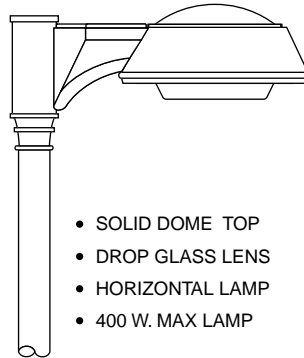
E.P.A. = 1.78



- SOLID DOME TOP
- CONVEX GLASS LENS
- HORIZONTAL OR VERTICAL LAMP
- 400 W. MAX LAMP

GLX-323

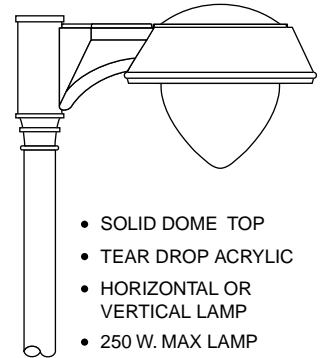
E.P.A. = 1.78



- SOLID DOME TOP
- DROP GLASS LENS
- HORIZONTAL LAMP
- 400 W. MAX LAMP

GLX-324

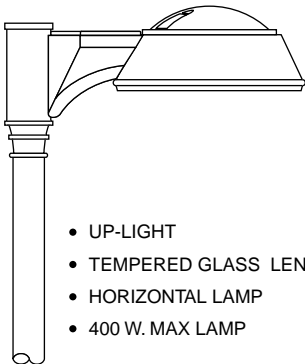
E.P.A. = 2.15



- SOLID DOME TOP
- TEAR DROP ACRYLIC
- HORIZONTAL OR VERTICAL LAMP
- 250 W. MAX LAMP

GLX-331

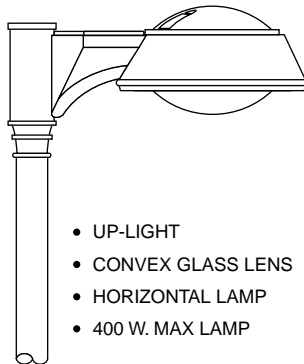
E.P.A. = 1.68



- UP-LIGHT
- TEMPERED GLASS LENS
- HORIZONTAL LAMP
- 400 W. MAX LAMP

GLX-332

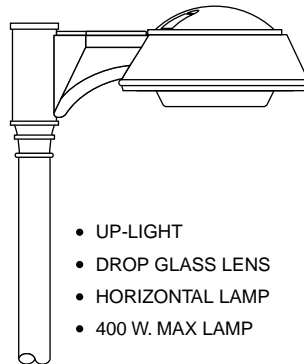
E.P.A. = 1.81



- UP-LIGHT
- CONVEX GLASS LENS
- HORIZONTAL LAMP
- 400 W. MAX LAMP

GLX-333

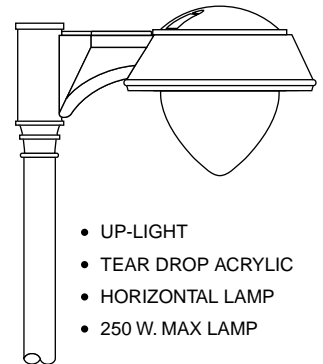
E.P.A. = 1.81



- UP-LIGHT
- DROP GLASS LENS
- HORIZONTAL LAMP
- 400 W. MAX LAMP

GLX-334

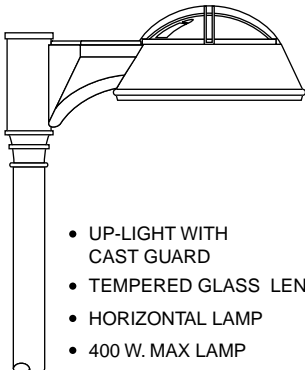
E.P.A. = 2.18



- UP-LIGHT
- TEAR DROP ACRYLIC
- HORIZONTAL LAMP
- 250 W. MAX LAMP

GLX-341

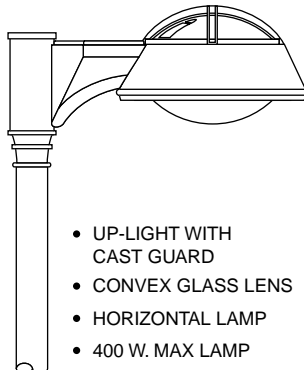
E.P.A. = 1.72



- UP-LIGHT WITH CAST GUARD
- TEMPERED GLASS LENS
- HORIZONTAL LAMP
- 400 W. MAX LAMP

GLX-342

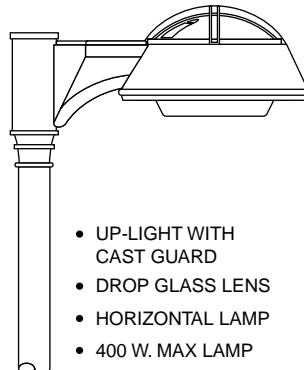
E.P.A. = 1.85



- UP-LIGHT WITH CAST GUARD
- CONVEX GLASS LENS
- HORIZONTAL LAMP
- 400 W. MAX LAMP

GLX-343

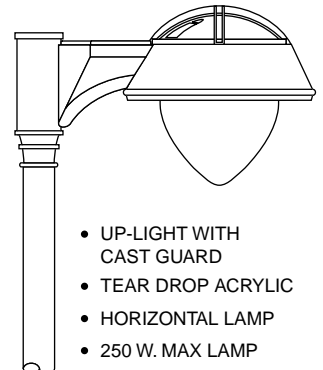
E.P.A. = 1.85



- UP-LIGHT WITH CAST GUARD
- DROP GLASS LENS
- HORIZONTAL LAMP
- 400 W. MAX LAMP

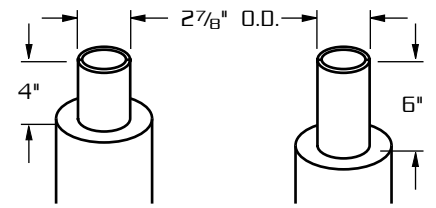
GLX-344

E.P.A. = 2.22



- UP-LIGHT WITH CAST GUARD
- TEAR DROP ACRYLIC
- HORIZONTAL LAMP
- 250 W. MAX LAMP

TENON MOUNT

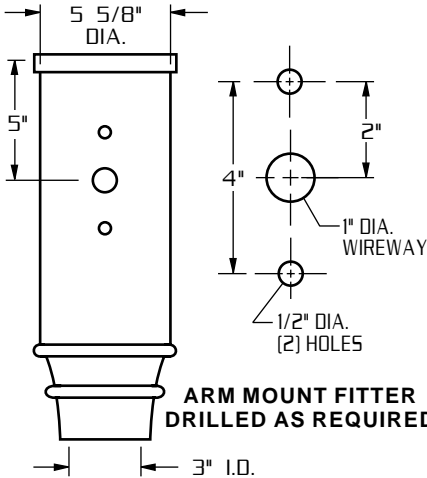


2 7/8" X 4" TENON
REQUIRED
FOR A SINGLE
LUMINAIRE

2 7/8" X 6" TENON
REQUIRED
FOR MULTI
LUMINAIRES

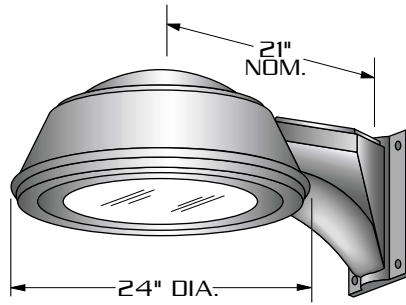
ARM MOUNT FITTER REQUIRED

ARM MOUNT FITTER



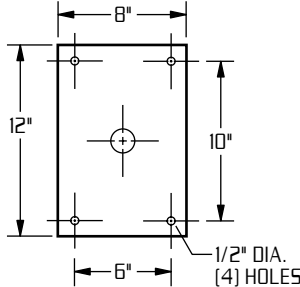
**ARM MOUNT FITTER
DRILLED AS REQUIRED**

WALL MOUNT

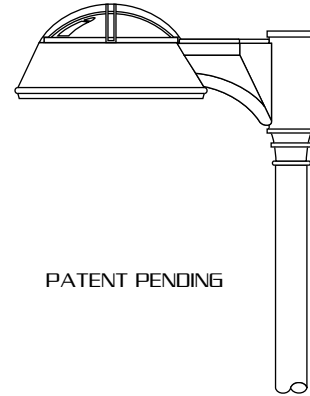


CORROSION RESISTANT CAST ALUMINUM ARM IS SUPPLIED WITH REMOVABLE CAST ALUMINUM TOP CAP FOR EASY ACCESS TO ELECTRICAL COMPONENTS.

WALL PLATE



**LAMP SIZE:
70 - 400 WATT**



PATENT PENDING

**DURABLE CAST ALUMINUM
CONSTRUCTION.**

**HORIZONTAL AND VERTICAL
LAMP OPTIONS.**

FIVE LIGHT DISTRIBUTIONS.

**DECORATIVE UPLIGHT
COMPONENT. (330 AND 340
SERIES)**

ORDERING INFORMATION

MODEL NO. : GLX-	OPTICS	WATTAGE TYPE VOLTAGE	MOUNTING	FINISH	OPTIONS
MODEL NO. :	OPTICS	LAMP	MOUNTING	FINISH	OPTIONS
GLX	HORIZONTAL LAMP REFLECTORS <input type="checkbox"/> TYPE II HR-II (hydroform, horizontal lamp) <input type="checkbox"/> TYPE III HR-III (segmented, horizontal lamp) <input type="checkbox"/> TYPE IV (FORWARD THROW) HR-IV (segmented, horizontal lamp) <input type="checkbox"/> TYPE V HR-V-SQ (segmented, horizontal lamp)	WATTAGE TYPE VOLTAGE <input type="checkbox"/> 400 <input type="checkbox"/> HPS <input type="checkbox"/> 120 <input type="checkbox"/> 250 <input type="checkbox"/> MH <input type="checkbox"/> 208 <input type="checkbox"/> 200 <input type="checkbox"/> MV <input type="checkbox"/> 240 <input type="checkbox"/> 175 <input type="checkbox"/> 277 <input type="checkbox"/> 150 <input type="checkbox"/> 480 <input type="checkbox"/> 100 <input type="checkbox"/> MT <input type="checkbox"/> 75 <input type="checkbox"/> 70	ARM MOUNT FITTER DRILLED AS REQUIRED <input type="checkbox"/> G-1 <input type="checkbox"/> G-2-180 .. <input type="checkbox"/> G-2-90 <input type="checkbox"/> G-3-90 ... <input type="checkbox"/> G-3-120 .. <input type="checkbox"/> G-4-90 ...	<input type="checkbox"/> DARK BRONZE DBM <input type="checkbox"/> MEDIUM BRONZE MBM <input type="checkbox"/> BLACK BKM <input type="checkbox"/> WHITE WTM <input type="checkbox"/> SILVER SLM	<input type="checkbox"/> HOUSE SIDE SHIELD 90° HS 90° 135° HS 135° 180° HS 180° <input type="checkbox"/> PHOTO CELL + VOLTAGE (EXAMPLE: PC120V) PC+V <input type="checkbox"/> SINGLE FUSE (120V. , 277V) SF <input type="checkbox"/> DOUBLE FUSE (208V. , 240V) DF
	VERTICAL LAMP REFLECTORS <input type="checkbox"/> ASYMMETRIC ASY (segmented, vertical lamp) <input type="checkbox"/> TYPE V VR-V-SQ (segmented, vertical lamp)	METAL HALIDE UNITS ONLY USE ED28 LAMP FOR 400 W. USE MEDIUM BASE LAMP FOR 100 W.	WALL MOUNT <input type="checkbox"/> WM	SEE PAGE 3 FOR ADDITIONAL COLORS	



A uniquely conceived "first" in outdoor area lighting featuring an unprecedented variety of designs and a wide range of computer designed optical systems, entirely sealed for maximum efficiency, and manufactured for maintenance ease through tool-less luminaire access. All designs are enclosed in a weather-resistant, precisely designed cast aluminum housing.

An unequaled ninety six (96) style collection Highlighting:
 ☛ Street and roadway cutoff lighting featuring computer engineered controlled beam spreads;
 ☛ Vertical lamp luminaires for large area lighting featuring highly efficient wide spacing to mounting height ratios;
 ☛ Decorative site lighting with companion wall mount luminaires.

The epitome of versatility
 ☛ Arm mount and post top cutoff luminaires;
 ☛ Dual function cutoffs (up/down light);
 ☛ Arm mount and post top wide angle vertical lamp units;
 ☛ Dual function wide angle units (up/down light);
 ☛ Arm mount and post top decorative units;
 ☛ Dual function decorative units (up/down light);
 ☛ Five light distributions;
 ☛ Four lens styles.

Blending of form and function is evidenced in the **design** of the **GALAXY** collection, combined with numerous **high performance** reflector and refractor generated optics to provide exceptional lighting performance. **GALAXY** design and engineering utilizes high intensity discharge lamp sources - from 70 to 400 watts - in wall mount, arm mount, or post top styles - to provide you with a family of luminaires to signaturize your project with architecture by day and security by night.

GALAXY 3

	10 SOLID PYRAMID TOP				20 SOLID DOME TOP				30 UP-LIGHT				40 UP-LIGHT WITH CAST GUARD			
	TEMPERED GLASS LENS	CONVEX GLASS LENS	DROP GLASS LENS	TEAR DROP ACRYLIC	TEMPERED GLASS LENS	CONVEX GLASS LENS	DROP GLASS LENS	TEAR DROP ACRYLIC	TEMPERED GLASS LENS	CONVEX GLASS LENS	DROP GLASS LENS	TEAR DROP ACRYLIC	TEMPERED GLASS LENS	CONVEX GLASS LENS	DROP GLASS LENS	TEAR DROP ACRYLIC
	1	2	3	4	1	2	3	4	1	2	3	4	1	2	3	4
100 CONTEMPO ARM																
200 ARCHED ARM																
300 DECORATIVE ARM																
400 STREET LTG. ARM																
500 YOKE ARM																
600 OFF-SET ARM																
700 POST TOP ARM																



660 WEST AVENUE O, PALMDALE, CA. 93551
 (661) 233-2000
 FAX NO. (661) 233-2001
www.usaltg.com