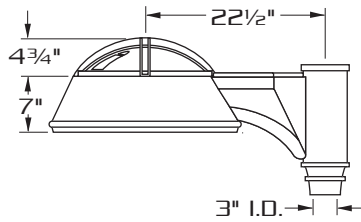
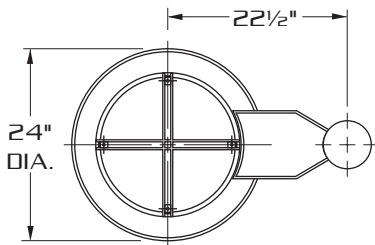


# GALAXY 3

[280 WATT MAX.]



**SIDE VIEW**



**TOP VIEW**

**PATENT PENDING**

 <ul style="list-style-type: none"> <li>SOLID PYRAMID TOP</li> <li>TEMPERED GLASS LENS</li> <li>HORIZONTAL LAMP</li> <li>400 W. MAX LAMP</li> </ul> <p><b>GLX-311</b> E.P.A. = 1.75</p>	 <ul style="list-style-type: none"> <li>SOLID PYRAMID TOP</li> <li>CONVEX GLASS LENS</li> <li>HORIZONTAL OR VERTICAL LAMP</li> <li>400 W. MAX LAMP</li> </ul> <p><b>GLX-312</b> E.P.A. = 1.88</p>	 <ul style="list-style-type: none"> <li>SOLID PYRAMID TOP</li> <li>DROP GLASS LENS</li> <li>HORIZONTAL LAMP</li> <li>400 W. MAX LAMP</li> </ul> <p><b>GLX-313</b> E.P.A. = 1.88</p>	 <ul style="list-style-type: none"> <li>SOLID PYRAMID TOP</li> <li>TEAR DROP ACRYLIC</li> <li>HORIZONTAL OR VERTICAL LAMP</li> <li>250 W. MAX LAMP</li> </ul> <p><b>GLX-314</b> E.P.A. = 2.25</p>
 <ul style="list-style-type: none"> <li>SOLID DOME TOP</li> <li>TEMPERED GLASS LENS</li> <li>HORIZONTAL LAMP</li> <li>400 W. MAX LAMP</li> </ul> <p><b>GLX-321</b> E.P.A. = 1.65</p>	 <ul style="list-style-type: none"> <li>SOLID DOME TOP</li> <li>CONVEX GLASS LENS</li> <li>HORIZONTAL OR VERTICAL LAMP</li> <li>400 W. MAX LAMP</li> </ul> <p><b>GLX-322</b> E.P.A. = 1.78</p>	 <ul style="list-style-type: none"> <li>SOLID DOME TOP</li> <li>DROP GLASS LENS</li> <li>HORIZONTAL LAMP</li> <li>400 W. MAX LAMP</li> </ul> <p><b>GLX-323</b> E.P.A. = 1.78</p>	 <ul style="list-style-type: none"> <li>SOLID DOME TOP</li> <li>TEAR DROP ACRYLIC</li> <li>HORIZONTAL OR VERTICAL LAMP</li> <li>250 W. MAX LAMP</li> </ul> <p><b>GLX-324</b> E.P.A. = 2.15</p>
 <ul style="list-style-type: none"> <li>UP-LIGHT</li> <li>TEMPERED GLASS LENS</li> <li>HORIZONTAL LAMP</li> <li>400 W. MAX LAMP</li> </ul> <p><b>GLX-331</b> E.P.A. = 1.68</p>	 <ul style="list-style-type: none"> <li>UP-LIGHT</li> <li>CONVEX GLASS LENS</li> <li>HORIZONTAL LAMP</li> <li>400 W. MAX LAMP</li> </ul> <p><b>GLX-332</b> E.P.A. = 1.81</p>	 <ul style="list-style-type: none"> <li>UP-LIGHT</li> <li>DROP GLASS LENS</li> <li>HORIZONTAL LAMP</li> <li>400 W. MAX LAMP</li> </ul> <p><b>GLX-333</b> E.P.A. = 1.81</p>	 <ul style="list-style-type: none"> <li>UP-LIGHT</li> <li>TEAR DROP ACRYLIC</li> <li>HORIZONTAL LAMP</li> <li>250 W. MAX LAMP</li> </ul> <p><b>GLX-334</b> E.P.A. = 2.18</p>
 <ul style="list-style-type: none"> <li>UP-LIGHT WITH CAST GUARD</li> <li>TEMPERED GLASS LENS</li> <li>HORIZONTAL LAMP</li> <li>400 W. MAX LAMP</li> </ul> <p><b>GLX-341</b> E.P.A. = 1.72</p>	 <ul style="list-style-type: none"> <li>UP-LIGHT WITH CAST GUARD</li> <li>CONVEX GLASS LENS</li> <li>HORIZONTAL LAMP</li> <li>400 W. MAX LAMP</li> </ul> <p><b>GLX-342</b> E.P.A. = 1.85</p>	 <ul style="list-style-type: none"> <li>UP-LIGHT WITH CAST GUARD</li> <li>DROP GLASS LENS</li> <li>HORIZONTAL LAMP</li> <li>400 W. MAX LAMP</li> </ul> <p><b>GLX-343</b> E.P.A. = 1.85</p>	 <ul style="list-style-type: none"> <li>UP-LIGHT WITH CAST GUARD</li> <li>TEAR DROP ACRYLIC</li> <li>HORIZONTAL LAMP</li> <li>250 W. MAX LAMP</li> </ul> <p><b>GLX-344</b> E.P.A. = 2.22</p>



**WM**



**1**



**2-180**



**2-90**



**3-90**



**3-120**



**4-90**

## SPECIFICATIONS

**HOUSING:** DURABLE CORROSION RESISTANT. PRECISE CAST ALUMINUM CONSTRUCTION. DECORATIVE CAST ALUMINUM STRUTS ACCENTUATE UPLIGHT.

**LENS ASS'Y:** ONE PIECE. DIE FORMED ALUMINUM DOOR FRAME SURROUNDS LENS. LENS IS SEALED TO DOOR FRAME WITH HIGH TEMPERATURE SILICONE SEAL. CAPTIVE THUMB SCREW IS LOOSENEED TO DISENGAGE LENS ASSEMBLY FROM HOUSING. THIS ACTIVATES ACCUHINGE™ TO ALLOW LENS ASSEMBLY TO HINGE AWAY FROM HOUSING FOR LUMINAIRE ACCESS WITHOUT USE OF TOOLS.

**OPTICS:** COMPUTER DESIGNED ONE PIECE SEMI SPECULAR HYDROFORMED REFLECTOR COMBINES WITH CLEAR TEMPERED LENS TO PRODUCE AN EXTREMELY EFFICIENT ASYMMETRIC LIGHT DISTRIBUTION. LUMINAIRE PROVIDED WITH UP LIGHT COMPONENT. (OTHER OPTICS AVAILABLE. SEE ORDERING INFORMATION)

**GASKETING:** CLOSED CELL EPDM GASKETING COMPRESSED BETWEEN DOOR FRAME AND HOUSING WORKS IN COMBINATION WITH ACCUHINGE™ TO PRESSURE SEAL OPTICAL CHAMBER AND PREVENT ENTRY OF CONTAMINANTS INTO OPTICAL CHAMBER.

**LAMP HOLDER:** M06UL BASE PORCELAIN.

**LAMP:** (BY OTHERS)

**BALLAST:** H.P.F./C.W.A. AUTOTRANSFORMER. -20° STARTING TEMPERATURE.

**ARM:** CORROSION RESISTANT TWO PIECE CAST ALUMINUM CONSTRUCTION. REMOVABLE ARM COVER GASKETED TO PRESSURE SEAL ARM WHICH HOUSES BALLAST.

**FINISH:** POLYESTER POWDER COAT-STATE OF THE ART 20 PSI PRESSURE POWER WASH AT 140° TEMPERATURE INCORPORATES FOUR STEP IRON PHOSPHATE PROCESS TO CLEANSE AND PRETREAT THE METAL SURFACE FOR MAXIMUM PAINT ADHESION. ELECTROSTATICALLY APPLIED TEXTURED POLYESTER POWDER TOPCOAT IS BAKED AT 400° TEMPERATURE FOR MAXIMUM HARDNESS AND EXTERIOR DURABILITY.



660 WEST AVENUE O, PALMDALE, CA. 93551

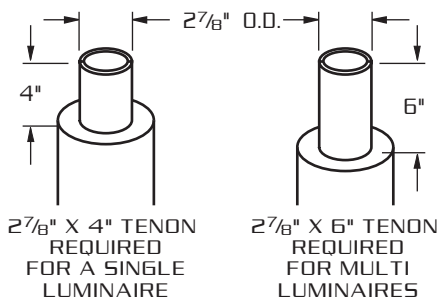
(661) 233-2000

FAX NO. (661) 233-2001

[www.usaltg.com](http://www.usaltg.com)

**A6-5**

### TENON MOUNT

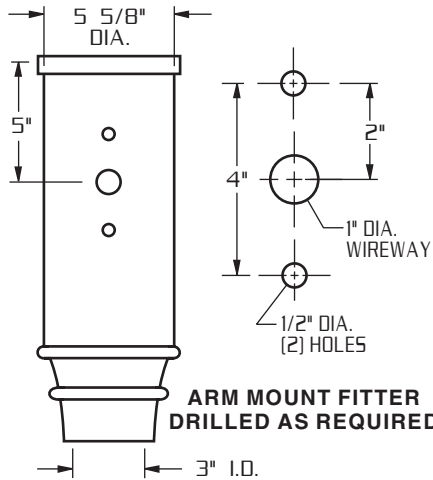


2 7/8" X 4" TENON  
REQUIRED  
FOR A SINGLE  
LUMINAIRE

2 7/8" X 6" TENON  
REQUIRED  
FOR MULTI  
LUMINAIRES

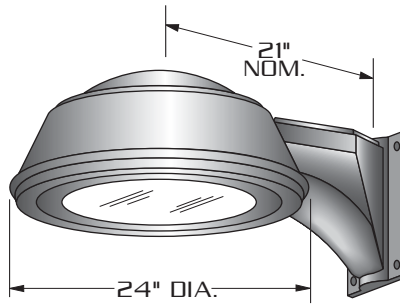
**ARM MOUNT FITTER REQUIRED**

### ARM MOUNT FITTER



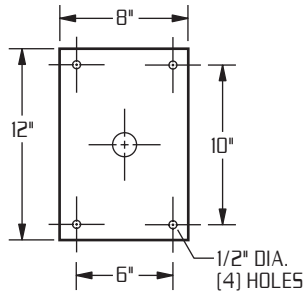
**ARM MOUNT FITTER  
DRILLED AS REQUIRED**

### WALL MOUNT

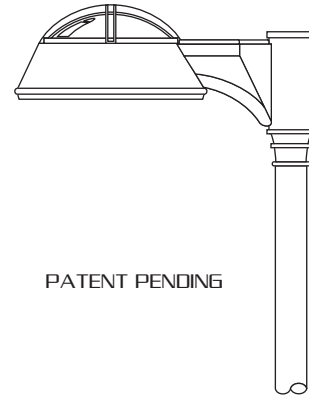


CORROSION RESISTANT CAST ALUMINUM ARM IS SUPPLIED WITH REMOVABLE CAST ALUMINUM TOP CAP FOR EASY ACCESS TO ELECTRICAL COMPONENTS.

### WALL PLATE



**LAMP SIZE:  
70 - 400 WATT**



PATENT PENDING

**DURABLE CAST ALUMINUM  
CONSTRUCTION.**

**HORIZONTAL AND VERTICAL  
LAMP OPTIONS.**

**FIVE LIGHT DISTRIBUTIONS.**

**DECORATIVE UPLIGHT  
COMPONENT. (330 AND 340  
SERIES)**

## ORDERING INFORMATION

MODEL NO. : GLX-	OPTICS	WATTAGE TYPE VOLTAGE	MOUNTING	FINISH	OPTIONS
---------------------	--------	----------------------	----------	--------	---------

MODEL NO. :	OPTICS	LAMP	MOUNTING	FINISH	OPTIONS
<b>G L X</b>	<b>HORIZONTAL LAMP REFLECTORS</b> <input type="checkbox"/> TYPE II <b>HR-II</b> .....  (hydroform, horizontal lamp) <input type="checkbox"/> TYPE III <b>HR-III</b> .....  (segmented, horizontal lamp) <input type="checkbox"/> TYPE IV (FORWARD THROW) <b>HR-IV</b> .....  (segmented, horizontal lamp) <input type="checkbox"/> TYPE V <b>HR-V-SQ</b> .....  (segmented, horizontal lamp)	WATTAGE TYPE VOLTAGE <input type="checkbox"/> 400 <input type="checkbox"/> HPS <input type="checkbox"/> 120 <input type="checkbox"/> 250 <input type="checkbox"/> MH <input type="checkbox"/> 208 <input type="checkbox"/> 200 <input type="checkbox"/> MV <input type="checkbox"/> 240 <input type="checkbox"/> 175 <input type="checkbox"/> 277 <input type="checkbox"/> 150 <input type="checkbox"/> 480 <input type="checkbox"/> 100 <input type="checkbox"/> MT <input type="checkbox"/> 75 <input type="checkbox"/> 70	<b>ARM MOUNT FITTER</b> DRILLED AS REQUIRED <input type="checkbox"/> G-1 ..... <input type="checkbox"/> G-2-180 .. <input type="checkbox"/> G-2-90 .... <input type="checkbox"/> G-3-90 ... <input type="checkbox"/> G-3-120 .. <input type="checkbox"/> G-4-90 ...	<input type="checkbox"/> DARK BRONZE DBM <input type="checkbox"/> MEDIUM BRONZE MBM <input type="checkbox"/> BLACK BKM <input type="checkbox"/> WHITE WTM <input type="checkbox"/> SILVER SLM	<input type="checkbox"/> HOUSE SIDE SHIELD .....HS <input type="checkbox"/> PHOTO CELL + VOLTAGE (EXAMPLE: PC120V) .....PC+V <input type="checkbox"/> SINGLE FUSE (120V., 277V) .....SF <input type="checkbox"/> DOUBLE FUSE (208V., 240V) .....DF
	<b>VERTICAL LAMP REFLECTORS</b> <input type="checkbox"/> ASYMMETRIC ASY.....  (segmented, vertical lamp) <input type="checkbox"/> TYPE V <b>VR-V-SQ</b> .....  (segmented, vertical lamp)	<b>METAL HALIDE UNITS ONLY</b> USE ED28 LAMP FOR 400 W. USE MEDIUM BASE LAMP FOR 100 W.	<b>WALL MOUNT</b> <input type="checkbox"/> WM .....	SEE PAGE 3 FOR ADDITIONAL COLORS	



660 WEST AVENUE O, PALMDALE, CA. 93551

(661) 233-2000  
FAX NO. (661) 233-2001

www.usaltg.com