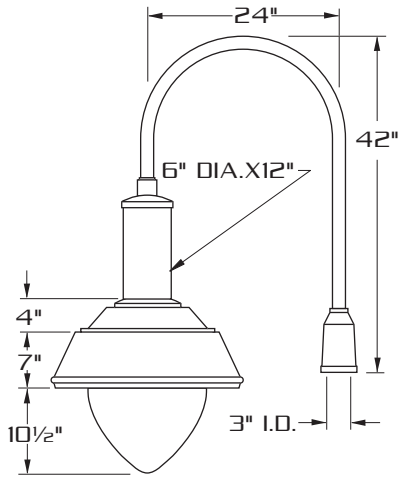
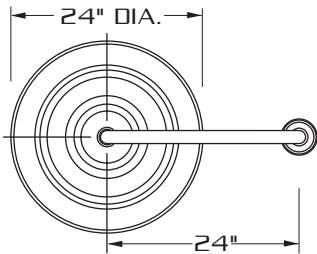


# GALAXY 2

[250 WATT MAX.]



**SIDE VIEW**



**TOP VIEW**

**PATENT PENDING**

 <ul style="list-style-type: none"> <li>SOLID PYRAMID TOP</li> <li>TEMPERED GLASS LENS</li> <li>HORIZONTAL LAMP</li> <li>250 W. MAX LAMP</li> </ul> <p><b>GLX-211</b> E.P.A. = 1.95</p>	 <ul style="list-style-type: none"> <li>SOLID PYRAMID TOP</li> <li>CONVEX GLASS LENS</li> <li>HORIZONTAL OR VERTICAL LAMP</li> <li>250 W. MAX LAMP</li> </ul> <p><b>GLX-212</b> E.P.A. = 2.08</p>	 <ul style="list-style-type: none"> <li>SOLID PYRAMID TOP</li> <li>DROP GLASS LENS</li> <li>HORIZONTAL LAMP</li> <li>250 W. MAX LAMP</li> </ul> <p><b>GLX-213</b> E.P.A. = 2.08</p>	 <ul style="list-style-type: none"> <li>SOLID PYRAMID TOP</li> <li>TEAR DROP ACRYLIC</li> <li>HORIZONTAL OR VERTICAL LAMP</li> <li>250 W. MAX LAMP</li> </ul> <p><b>GLX-214</b> E.P.A. = 2.45</p>
 <ul style="list-style-type: none"> <li>SOLID DOME TOP</li> <li>TEMPERED GLASS LENS</li> <li>HORIZONTAL LAMP</li> <li>250 W. MAX LAMP</li> </ul> <p><b>GLX-221</b> E.P.A. = 1.86</p>	 <ul style="list-style-type: none"> <li>SOLID DOME TOP</li> <li>CONVEX GLASS LENS</li> <li>HORIZONTAL OR VERTICAL LAMP</li> <li>250 W. MAX LAMP</li> </ul> <p><b>GLX-222</b> E.P.A. = 1.99</p>	 <ul style="list-style-type: none"> <li>SOLID DOME TOP</li> <li>DROP GLASS LENS</li> <li>HORIZONTAL LAMP</li> <li>250 W. MAX LAMP</li> </ul> <p><b>GLX-223</b> E.P.A. = 1.99</p>	 <ul style="list-style-type: none"> <li>SOLID DOME TOP</li> <li>TEAR DROP ACRYLIC</li> <li>HORIZONTAL OR VERTICAL LAMP</li> <li>250 W. MAX LAMP</li> </ul> <p><b>GLX-224</b> E.P.A. = 2.36</p>



WM



1



2-180



2-90



3-90



3-120



4-90

## SPECIFICATIONS

**HOUSING:** DURABLE CORROSION RESISTANT. PRECISE CAST ALUMINUM CONSTRUCTION.

**LENS ASS'Y:** ONE PIECE, DIE FORMED ALUMINUM DOOR FRAME SURROUNDS LENS. LENS IS SEALED TO DOOR FRAME WITH HIGH TEMPERATURE SILICONE SEAL. CAPTIVE THUMB SCREW IS LOOSENEED TO DISENGAGE LENS ASSEMBLY FROM HOUSING. THIS ACTIVATES ACCUHINGE™ TO ALLOW LENS ASSEMBLY TO HINGE AWAY FROM HOUSING FOR LUMINAIRE ACCESS WITHOUT USE OF TOOLS.

**OPTICS:** COMPUTER DESIGNED ONE PIECE SEGMENTED SPECULAR REFLECTOR COMBINES WITH CLEAR TEAR DROP ACRYLIC LENS TO PRODUCE AN EFFICIENT WIDE SYMMETRIC LIGHT DISTRIBUTION WITH OUTSTANDING UNIFORMITY. (OTHER OPTICS AVAILABLE. SEE ORDERING INFORMATION)

**GASKETING:** CLOSED CELL EPDM GASKETING COMPRESSED BETWEEN DOOR FRAME AND HOUSING WORKS IN COMBINATION WITH ACCUHINGE™ TO PRESSURE SEAL OPTICAL CHAMBER AND PREVENT ENTRY OF CONTAMINANTS INTO OPTICAL CHAMBER.

**LAMP HOLDER:** MOGUL BASE PORCELAIN.

**LAMP:** (BY OTHERS)

**BALLAST:** H.P.F./C.W.A. AUTOTRANSFORMER. -20° STARTING TEMPERATURE.

**ARM:** EXTRUDED ALUMINUM CONSTRUCTION. WELDED CAST HOLDER AT END OF ARM LOCKS LUMINAIRE TO ARM.

**FINISH:** POLYESTER POWDER COAT-STATE OF THE ART 20 PSI PRESSURE POWER WASH AT 140° TEMPERATURE INCORPORATES FOUR STEP IRON PHOSPHATE PROCESS TO CLEANSE AND PRETREAT THE METAL SURFACE FOR MAXIMUM PAINT ADHESION. ELECTROSTATICALLY APPLIED TEXTURED POLYESTER POWDER TOPCOAT IS BAKED AT 400° TEMPERATURE FOR MAXIMUM HARDNESS AND EXTERIOR DURABILITY.



660 WEST AVENUE O, PALMDALE, CA. 93551

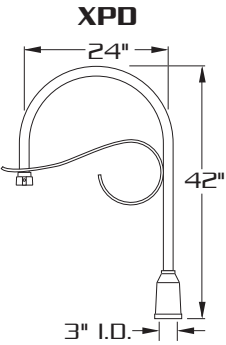
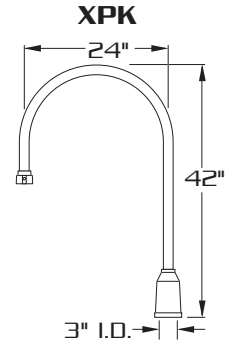
(661) 233-2000

FAX NO. (661) 233-2001

www.usaltg.com

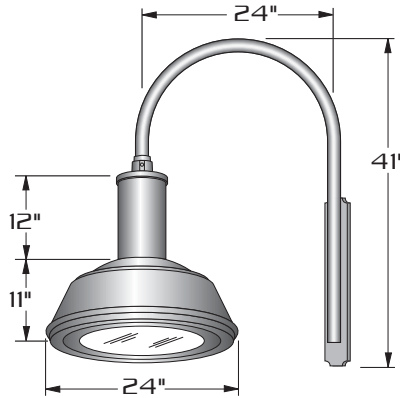
**A6-3**

**MOUNTING STYLES**

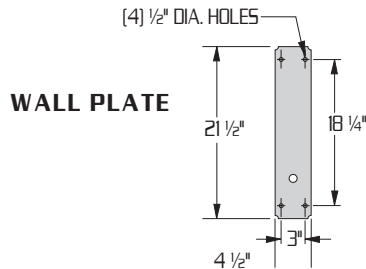


ARMS ARE HEAVY WALL EXTRUDED ALUMINUM CONSTRUCTION. FOR ADDITIONAL ARM OPTIONS SEE ARM SECTION.

**WALL MOUNT**

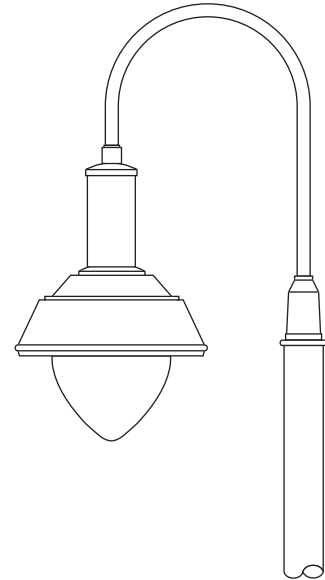


EXTRUDED AND CAST ALUMINUM CONSTRUCTION.



**WALL PLATE**

**LAMP SIZE:  
70 - 250 WATT**



**DURABLE CAST ALUMINUM CONSTRUCTION.**

**HORIZONTAL AND VERTICAL LAMP OPTIONS.**

**FIVE LIGHT DISTRIBUTIONS.**

**ORDERING INFORMATION**

MODEL NO. : GLX-	OPTICS	WATTAGE TYPE VOLTAGE	MOUNTING	FINISH	OPTIONS
---------------------	--------	----------------------	----------	--------	---------

MODEL NO. :	OPTICS	LAMP	MOUNTING	FINISH	OPTIONS
<b>GLX</b>	<b>HORIZONTAL LAMP REFLECTORS</b> <input type="checkbox"/> TYPE II <b>HR-II</b> ..... (hydroform, horizontal lamp) <input type="checkbox"/> TYPE III <b>HR-III</b> ..... (segmented, horizontal lamp) <input type="checkbox"/> TYPE IV <b>(FORWARD THROW)</b> <b>HR-IV</b> ..... (segmented, horizontal lamp) <input type="checkbox"/> TYPE V <b>HR-V-SQ</b> ..... (segmented, horizontal lamp)	<b>WATTAGE TYPE VOLTAGE</b> <input type="checkbox"/> 250 <input type="checkbox"/> HPS <input type="checkbox"/> 120 <input type="checkbox"/> 200 <input type="checkbox"/> MH <input type="checkbox"/> 208 <input type="checkbox"/> 175 <input type="checkbox"/> MV <input type="checkbox"/> 240 <input type="checkbox"/> 150 <input type="checkbox"/> 277 <input type="checkbox"/> 100 <input type="checkbox"/> 480 <input type="checkbox"/> 75 <input type="checkbox"/> MT <input type="checkbox"/> 70	<input type="checkbox"/> XPK <input type="checkbox"/> XPJ <input type="checkbox"/> WM ..... ● <input type="checkbox"/> 1 ..... ●	<input type="checkbox"/> DARK BRONZE <b>DBM</b> <input type="checkbox"/> MEDIUM BRONZE <b>MBM</b> <input type="checkbox"/> BLACK <b>BKM</b> <input type="checkbox"/> WHITE <b>WTM</b> <input type="checkbox"/> SILVER <b>SLM</b>	<input type="checkbox"/> HOUSE SIDE SHIELD ..... <b>HS</b> <input type="checkbox"/> PHOTO CELL + VOLTAGE (EXAMPLE: PC120V) ..... <b>PC+V</b> <input type="checkbox"/> SINGLE FUSE (120V., 277V) ..... <b>SF</b> <input type="checkbox"/> DOUBLE FUSE (208V., 240V) ..... <b>DF</b>
	<b>VERTICAL LAMP REFLECTORS</b> <input type="checkbox"/> ASYMMETRIC <b>ASY</b> ..... (segmented, vertical lamp) <input type="checkbox"/> TYPE V <b>VR-V-SQ</b> ..... (segmented, vertical lamp)	<b>METAL HALIDE UNITS ONLY</b> USE MEDIUM BASE LAMP FOR 100 W.	SEE ARM SECTION FOR ADDITIONAL ARMS	SEE PAGE 3 FOR ADDITIONAL COLORS	