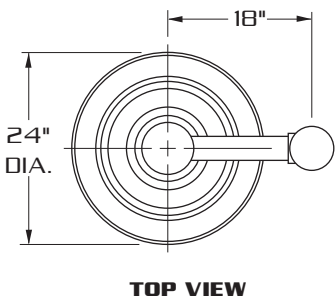
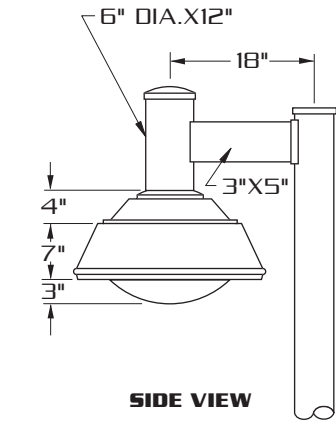
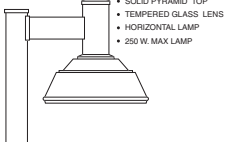
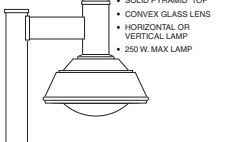
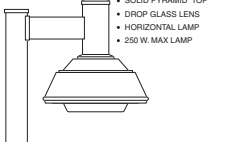
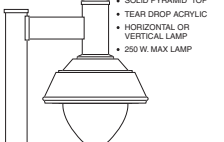


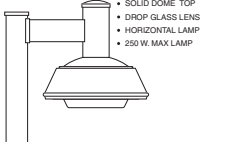
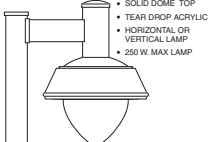


GALAXY 1

[250 WATT MAX.]



PATENT PENDING

 <ul style="list-style-type: none"> SOLID PYRAMID TOP TEMPERED GLASS LENS HORIZONTAL LAMP 250 W. MAX LAMP <p>GLX-111 E.P.A. = 1.63</p>	 <ul style="list-style-type: none"> SOLID PYRAMID TOP CONVEX GLASS LENS HORIZONTAL OR VERTICAL LAMP 250 W. MAX LAMP <p>GLX-112 E.P.A. = 1.76</p>	 <ul style="list-style-type: none"> SOLID PYRAMID TOP DROP GLASS LENS HORIZONTAL LAMP 250 W. MAX LAMP <p>GLX-113 E.P.A. = 1.76</p>	 <ul style="list-style-type: none"> SOLID PYRAMID TOP TEAR DROP ACRYLIC HORIZONTAL OR VERTICAL LAMP 250 W. MAX LAMP <p>GLX-114 E.P.A. = 2.13</p>
 <ul style="list-style-type: none"> SOLID DOME TOP TEMPERED GLASS LENS HORIZONTAL LAMP 250 W. MAX LAMP <p>GLX-121 E.P.A. = 1.53</p>	 <ul style="list-style-type: none"> SOLID DOME TOP CONVEX GLASS LENS HORIZONTAL OR VERTICAL LAMP 250 W. MAX LAMP <p>GLX-122 E.P.A. = 1.66</p>	 <ul style="list-style-type: none"> SOLID DOME TOP DROP GLASS LENS HORIZONTAL LAMP 250 W. MAX LAMP <p>GLX-123 E.P.A. = 1.66</p>	 <ul style="list-style-type: none"> SOLID DOME TOP TEAR DROP ACRYLIC HORIZONTAL OR VERTICAL LAMP 250 W. MAX LAMP <p>GLX-124 E.P.A. = 2.03</p>



SPECIFICATIONS

HOUSING: DURABLE CORROSION RESISTANT, PRECISE CAST ALUMINUM CONSTRUCTION.

LENS ASS'Y: ONE PIECE, DIE FORMED ALUMINUM DOOR FRAME SURROUNDS LENS. LENS IS SEALED TO DOOR FRAME WITH HIGH TEMPERATURE SILICONE SEAL. CAPTIVE THUMB SCREW IS LOOSENED TO DISENGAGE LENS ASSEMBLY FROM HOUSING. THIS ACTIVATES ACCUHINGE™ TO ALLOW LENS ASSEMBLY TO HINGE AWAY FROM HOUSING FOR LUMINAIRE ACCESS WITHOUT USE OF TOOLS.

OPTICS: COMPUTER DESIGNED SPECULAR SEGMENTED SIDE REFLECTORS WITH AN AUXILIARY PATTERNED TOP REFLECTOR COMBINES WITH CLEAR TEMPERED CONVEX GLASS LENS TO PRODUCE EFFICIENT ASYMMETRIC LIGHT DISTRIBUTION WITH SHARP CUTOFF. (OTHER OPTICS AVAILABLE. SEE ORDERING INFORMATION)

GASKETING: CLOSED CELL EPDM GASKETING COMPRESSED BETWEEN DOOR FRAME AND HOUSING WORKS IN COMBINATION WITH ACCUHINGE™ TO PRESSURE SEAL OPTICAL CHAMBER AND PREVENT ENTRY OF CONTAMINANTS INTO OPTICAL CHAMBER.

LAMP HOLDER: MOGUL BASE PORCELAIN.

LAMP: (BY OTHERS)

BALLAST: H.P.F./C.W.A. AUTOTRANSFORMER. -20° STARTING TEMPERATURE.

ARM: HEAVY WALL EXTRUDED ALUMINUM CONSTRUCTION.

FINISH: POLYESTER POWDER COAT-STATE OF THE ART 20 PSI PRESSURE POWER WASH AT 140° TEMPERATURE INCORPORATES FOUR STEP IRON PHOSPHATE PROCESS TO CLEANSE AND PRETREAT THE METAL SURFACE FOR MAXIMUM PAINT ADHESION. ELECTROSTATICALLY APPLIED TEXTURED POLYESTER POWDER TOPCOAT IS BAKED AT 400° TEMPERATURE FOR MAXIMUM HARDNESS AND EXTERIOR DURABILITY.



660 WEST AVENUE O, PALMDALE, CA. 93551

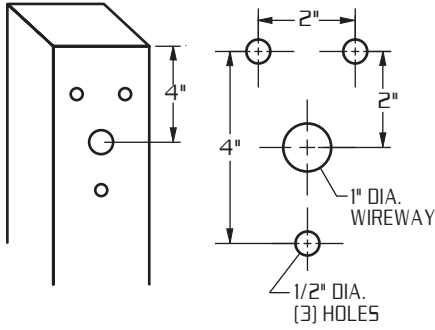
(661) 233-2000

FAX NO. (661) 233-2001

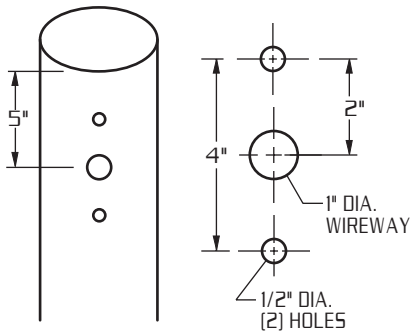
www.usaltg.com

A6-1

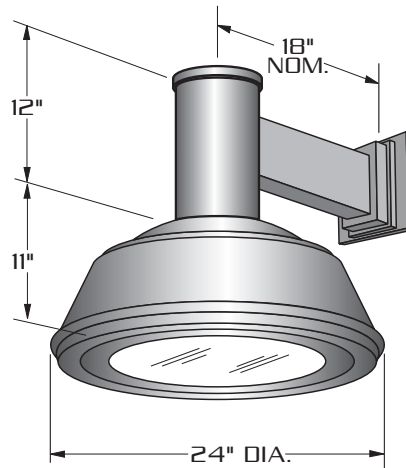
TYPICAL SQUARE POLE TEMPLATE



TYPICAL ROUND POLE TEMPLATE

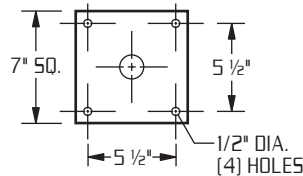


WALL MOUNT

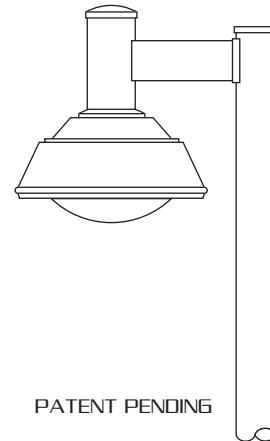


EXTRUDED ALUMINUM ARM AND CAST ALUMINUM WALL BRACKET ASSEMBLY PROVIDED WITH BUILT IN GASKETED WIRE ACCESS FOR FIXTURE/SUPPLY WIRE CONNECTION.

WALL PLATE



**LAMP SIZE:
70 - 250 WATT**



PATENT PENDING

DURABLE CAST ALUMINUM CONSTRUCTION.

HORIZONTAL AND VERTICAL LAMP OPTIONS.

FIVE LIGHT DISTRIBUTIONS.

ORDERING INFORMATION

MODEL NO. : GLX-	OPTICS	WATTAGE TYPE VOLTAGE	MOUNTING	FINISH	OPTIONS
---------------------	--------	----------------------	----------	--------	---------

MODEL NO. :	OPTICS	LAMP	MOUNTING	FINISH	OPTIONS
GLX	HORIZONTAL LAMP REFLECTORS <input type="checkbox"/> TYPE II HR-II (hydroform, horizontal lamp) <input type="checkbox"/> TYPE III HR-III (segmented, horizontal lamp) <input type="checkbox"/> TYPE IV (FORWARD THROW) HR-IV (segmented, horizontal lamp) <input type="checkbox"/> TYPE V HR-V-SQ (segmented, horizontal lamp)	WATTAGE TYPE VOLTAGE <input type="checkbox"/> 250 <input type="checkbox"/> HPS <input type="checkbox"/> 120 <input type="checkbox"/> 200 <input type="checkbox"/> MH <input type="checkbox"/> 208 <input type="checkbox"/> 175 <input type="checkbox"/> MV <input type="checkbox"/> 240 <input type="checkbox"/> 150 <input type="checkbox"/> 277 <input type="checkbox"/> 100 <input type="checkbox"/> 480 <input type="checkbox"/> 75 <input type="checkbox"/> MT <input type="checkbox"/> 70	ARM MOUNT <input type="checkbox"/> 1	<input type="checkbox"/> DARK BRONZE DBM <input type="checkbox"/> MEDIUM BRONZE MBM <input type="checkbox"/> BLACK BKM <input type="checkbox"/> WHITE WTM <input type="checkbox"/> SILVER SLM	<input type="checkbox"/> HOUSE SIDE SHIELDHS <input type="checkbox"/> PHOTO CELL + VOLTAGE (EXAMPLE: PC120V)PC+V <input type="checkbox"/> SINGLE FUSE (120V. , 277V)SF <input type="checkbox"/> DOUBLE FUSE (208V. , 240V)DF
	VERTICAL LAMP REFLECTORS <input type="checkbox"/> ASYMMETRIC ASY (segmented, vertical lamp) <input type="checkbox"/> TYPE V VR-V-SQ (segmented, vertical lamp)	METAL HALIDE UNITS ONLY USE MEDIUM BASE LAMP FOR 100 W.	WALL MOUNT <input type="checkbox"/> WM	SEE PAGE 3 FOR ADDITIONAL COLORS	



660 WEST AVENUE O, PALMDALE, CA. 93551

(661) 233-2000

FAX NO. (661) 233-2001

www.usaltg.com