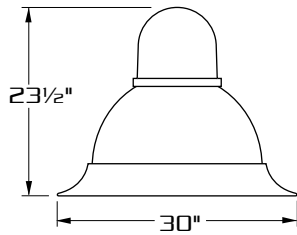
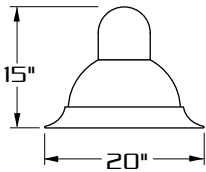


DSS

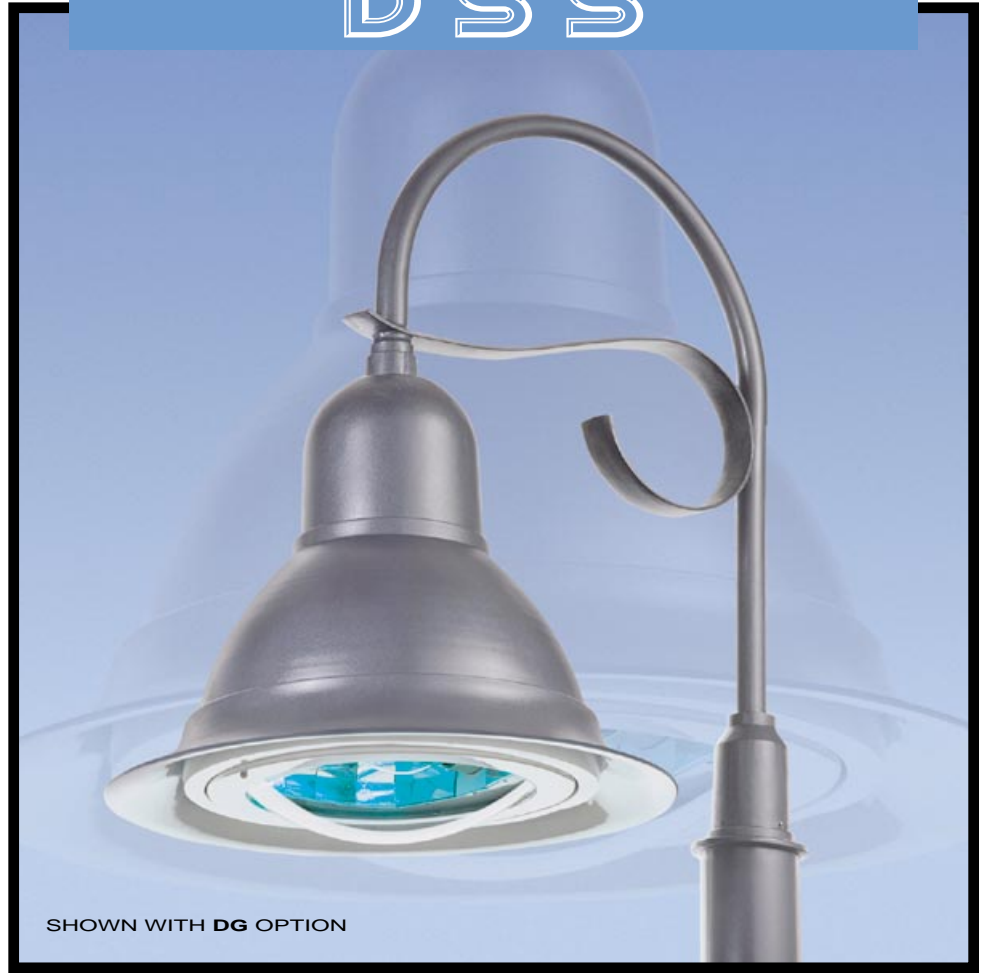


D551
[400 W. MAX.]



D552
[175 W. MAX.]

E.P.A. **D551**- 1.72
D552- 0.71



SHOWN WITH DG OPTION



WM



1



2-180



2-90



3-90



3-120



4-90

SPECIFICATIONS

HOUSING: DURABLE CORROSION RESISTANT CAST ALUMINUM CONSTRUCTION WITH REMOVABLE BALLAST TRAY FOR EASY BALLAST ACCESS.
REFLECTOR - HEAVY WALL SPUN ALUMINUM CONSTRUCTION. INSIDE OF REFLECTOR FINISHED WITH HIGH GLOSS WHITE ENAMEL.

OPTICS: PRECISE, COMPUTER DESIGNED SPECULAR SEGMENTED SIDE REFLECTORS WITH AN AUXILIARY HAMMER TONE PATTERNED TOP REFLECTOR COMBINES WITH CLEAR TEMPERED GLASS LENS TO PRODUCE A HIGHLY EFFICIENT, SHARP CUTOFF.

LAMP HOLDER: MEDIUM OR MOGUL BASE PORCELAIN.

LAMP: (BY OTHERS)

BALLAST: H.P.F./C.W.A. AUTOTRANSFORMER, -20° STARTING TEMPERATURE. ELECTRICAL COMPONENTS ARE MOUNTED TO A REMOVABLE BALLAST TRAY. BALLAST IS EQUIPPED WITH FACTORY INSTALLED QUICK DISCONNECT PLUG.

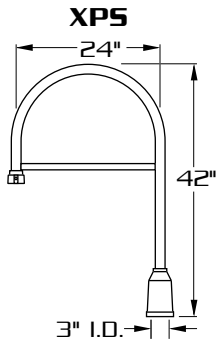
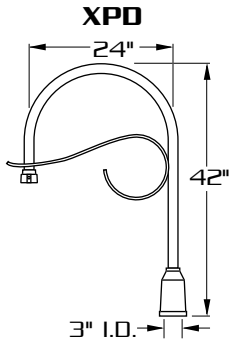
FINISH: POLYESTER POWDER COAT-STATE OF THE ART 20 PSI PRESSURE POWER WASH AT 140° TEMPERATURE INCORPORATES FOUR STEP IRON PHOSPHATE PROCESS TO CLEANSE AND PRETREAT THE METAL SURFACE FOR MAXIMUM PAINT ADHESION. ELECTROSTATICALLY APPLIED TEXTURED POLYESTER POWDER TOPCOAT IS BAKED AT 400° TEMPERATURE FOR MAXIMUM HARDNESS AND EXTERIOR DURABILITY.



660 WEST AVENUE O, PALMDALE, CA. 93551
(661) 233-2000
FAX NO. (661) 233-2001
www.usaltg.com

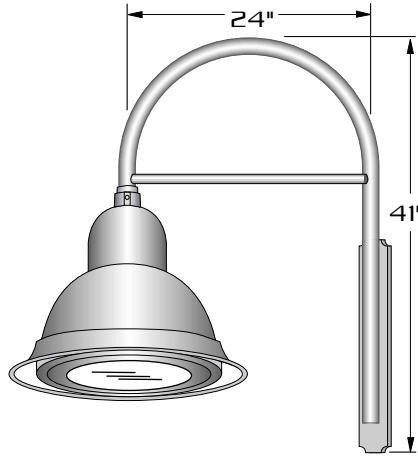
A10-1

MOUNTING STYLES

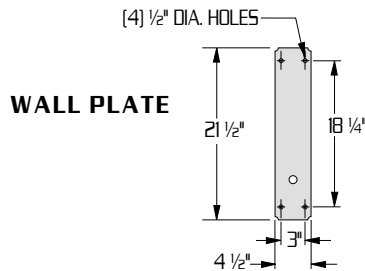


ARMS ARE HEAVY WALL EXTRUDED ALUMINUM CONSTRUCTION. FOR ADDITIONAL ARM OPTIONS SEE ARM SECTION.

WALL MOUNT

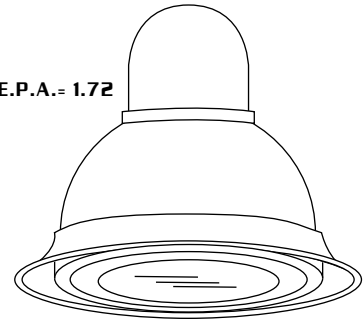


ARM BRACKET EXTRUDED AND CAST ALUMINUM CONSTRUCTION.



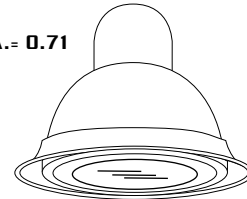
**LAMP SIZE:
50 - 400 WATT**

E.P.A.= 1.72



DSS1
[400 W. MAX.]

E.P.A.= 0.71



DSS2
[175 W. MAX.]

DURABLE CAST ALUMINUM HOUSING.

INTEGRAL, SELF CONTAINED BALLAST COMPARTMENT

ORDERING INFORMATION

MODEL NO. : DSS	OPTICS	WATTAGE TYPE VOLTAGE	MOUNTING	FINISH	OPTIONS	
MODEL NO. :	OPTICS	LAMP	MOUNTING	FINISH	OPTIONS	
D S S	HORIZONTAL LAMP REFLECTORS	<input type="checkbox"/> 400 <input type="checkbox"/> HPS <input type="checkbox"/> 120 <input type="checkbox"/> 250 <input type="checkbox"/> MH <input type="checkbox"/> 208 <input type="checkbox"/> 175 <input type="checkbox"/> MV <input type="checkbox"/> 240 <input type="checkbox"/> 150 <input type="checkbox"/> 277 <input type="checkbox"/> 100 <input type="checkbox"/> 480 <input type="checkbox"/> 75 <input type="checkbox"/> MT <input type="checkbox"/> 70 <input type="checkbox"/> 50	<input type="checkbox"/> XPD <input type="checkbox"/> XPS <input type="checkbox"/> WM ● <input type="checkbox"/> 1 ●	<input type="checkbox"/> DARK BRONZE DBM <input type="checkbox"/> MEDIUM BRONZE MBM <input type="checkbox"/> BLACK BKM <input type="checkbox"/> WHITE WTM <input type="checkbox"/> SILVER SLM	<input type="checkbox"/> CONVEX GLASS..... DG <input type="checkbox"/> CLEAR CONVEX POLYCARBONATE DIFFUSER..... LEX <input type="checkbox"/> HOUSE SIDE SHIELD..... HS <input type="checkbox"/> 3/8" IPS STEM MOUNT AND SWIVEL CANOPY Available for DSS2 only (4'-0" MAX.). . SM <input type="checkbox"/> CHAIN MOUNTED Available for DSS2 only (4'-0" MAX.). . CM <input type="checkbox"/> PHOTO CELL + VOLTAGE (EXAMPLE: PC120V)..... PC+V <input type="checkbox"/> SINGLE FUSE (120V. , 277V)..... SF <input type="checkbox"/> DOUBLE FUSE (208V. , 240V)..... DF	
	VERTICAL LAMP REFLECTORS	<input type="checkbox"/> ASYMMETRIC ASY (segmented, vertical lamp) (DSS2 requires convex glass) <input type="checkbox"/> TYPE V VR-V-SQ (segmented, vertical lamp) (DSS2 requires convex glass)	<p align="center">DSS1 USE MOGUL BASE LAMPS</p> <p align="center">DSS2 USE MEDIUM BASE LAMPS</p>	<p align="center">SEE ARM SECTION FOR ADDITIONAL ARMS</p>	<p align="center">SEE PAGE 3 FOR ADDITIONAL COLORS</p>	

