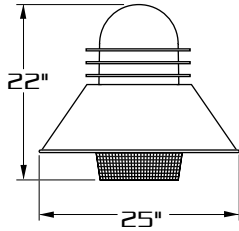
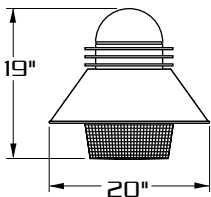


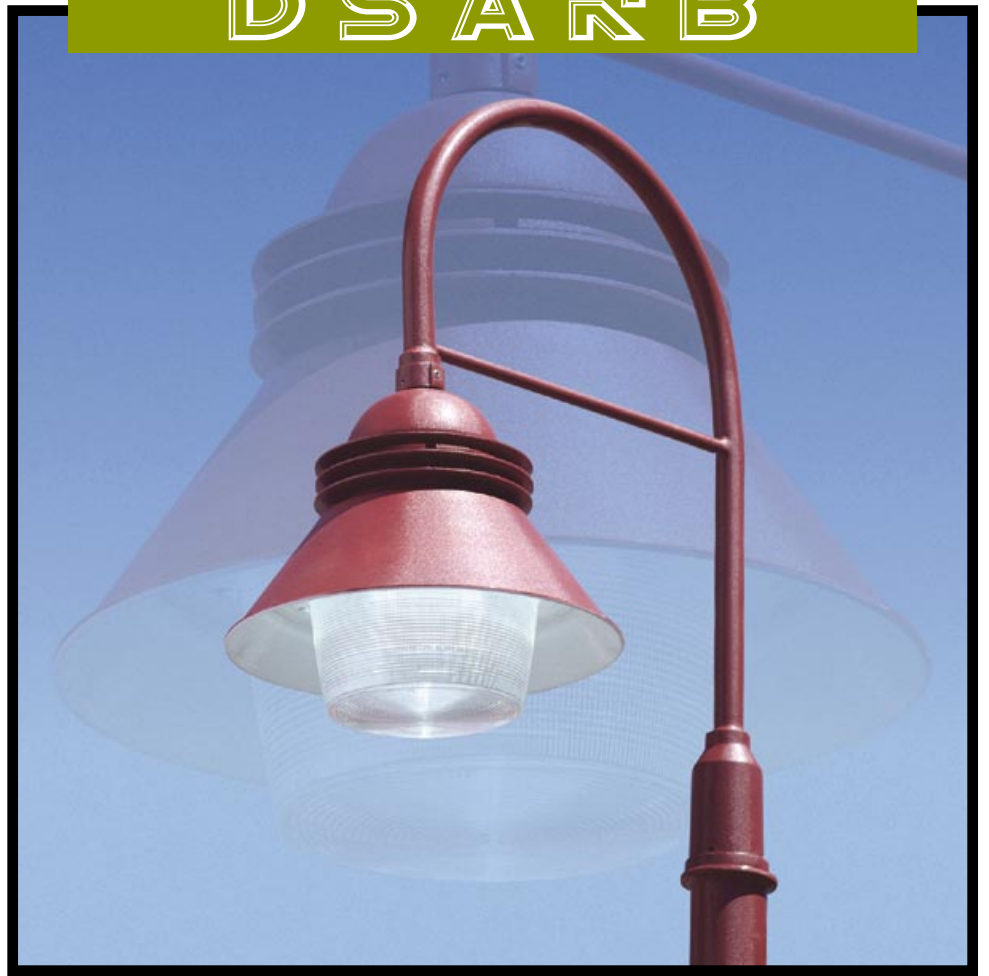
# DSARB



**DSARB25**  
[250 W. MAX.]



**DSARB1**  
[175 W. MAX.]



E.P.A. **DSARB25**- 1.39  
**DSARB1**- 1.00



WM



1



2-180



2-90



3-90



3-120



4-90

## SPECIFICATIONS

**HOUSING:** HEAVY WALL ALUMINUM CONSTRUCTION WITH REMOVABLE BALLAST TRAY FOR EASY BALLAST ACCESS. LUMINAIRE PROVIDED WITH DECORATIVE CAST ALUMINUM RINGS.

**REFLECTOR:** HEAVY WALL ALUMINUM CONSTRUCTION. INSIDE OF REFLECTOR FINISHED WITH HIGH GLOSS WHITE ENAMEL.

**OPTICS:** CLEAR PRISMATIC POLYCARBONATE REFRACTOR. TYPE V LIGHT DISTRIBUTION.  
**OPTIONS:** TYPE I, II, III, IV LIGHT DISTRIBUTION.

**LAMP HOLDER:** MEDIUM OR MOGUL BASE PORCELAIN.

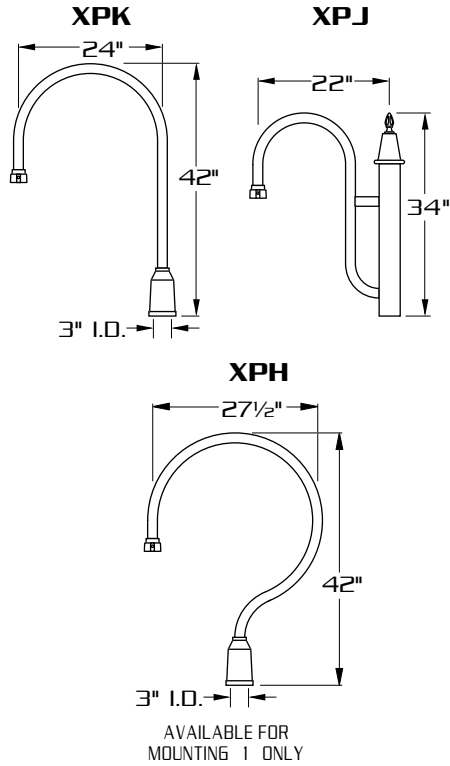
**LAMP:** (BY OTHERS)

**BALLAST:** H.P.F./C.W.A. AUTOTRANSFORMER. -20° STARTING TEMPERATURE. ELECTRICAL COMPONENTS ARE MOUNTED TO A REMOVABLE BALLAST TRAY. BALLAST IS EQUIPPED WITH FACTORY INSTALLED QUICK DISCONNECT PLUG.

**FINISH:** POLYESTER POWDER COAT-STATE OF THE ART 20 PSI PRESSURE POWER WASH AT 140° TEMPERATURE INCORPORATES FOUR STEP IRON PHOSPHATE PROCESS TO CLEANSE AND PRETREAT THE METAL SURFACE FOR MAXIMUM PAINT ADHESION. ELECTROSTATICALLY APPLIED TEXTURED POLYESTER POWDER TOPCOAT IS BAKED AT 400° TEMPERATURE FOR MAXIMUM HARDNESS AND EXTERIOR DURABILITY.

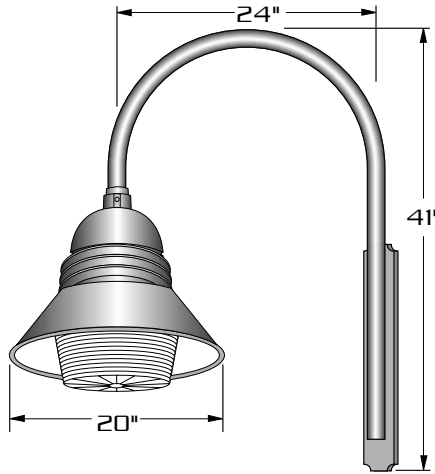


**MOUNTING STYLES**



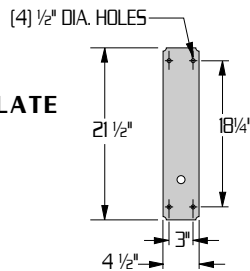
ARMS ARE HEAVY WALL EXTRUDED ALUMINUM CONSTRUCTION. FOR ADDITIONAL ARM OPTIONS SEE ARM SECTION.

**WALL MOUNT**



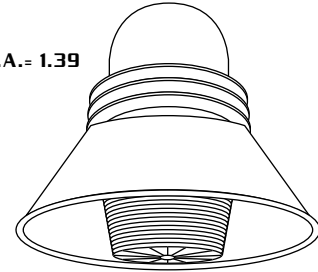
EXTRUDED AND CAST ALUMINUM CONSTRUCTION.

**WALL PLATE**



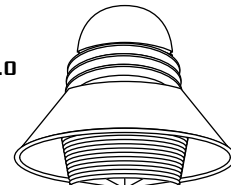
**LAMP SIZE:  
50 - 250 WATT**

E.P.A.- 1.39



**DSARB25**  
(250 W. MAX.)

E.P.A.- 1.0



**DSARB1**  
(175 W. MAX.)

**FIVE LIGHT DISTRIBUTIONS.  
ALL ALUMINUM CONSTRUCTION.  
INTEGRAL, SELF CONTAINED  
BALLAST COMPARTMENT.  
THREE MOUNTING STYLES.**

**ORDERING INFORMATION**

MODEL NO. : DSARB	OPTICS	WATTAGE TYPE VOLTAGE	MOUNTING	FINISH	OPTIONS
MODEL NO. :	<b>OPTICS</b>	<b>LAMP</b>	<b>MOUNTING</b>	<b>FINISH</b>	<b>OPTIONS</b>
<b>D S A R B</b>	<input type="checkbox"/> TYPE I I.....	<input type="checkbox"/> 250 <input type="checkbox"/> HPS <input type="checkbox"/> 120	<input type="checkbox"/> XPK <input type="checkbox"/> XPJ	<input type="checkbox"/> DARK BRONZE <b>DBM</b>	<input type="checkbox"/> 3/8" IPS STEM MOUNT AND SWIVEL CANOPY (4'-0" MAX.) ..... <b>SM</b>
	<input type="checkbox"/> TYPE II II.....	<input type="checkbox"/> 175 <input type="checkbox"/> MH <input type="checkbox"/> 208	<input type="checkbox"/> XPH	<input type="checkbox"/> MEDIUM BRONZE <b>MBM</b>	<input type="checkbox"/> CHAIN MOUNTED (4'-0" MAX.) ..... <b>CM</b>
	<input type="checkbox"/> TYPE III III.....	<input type="checkbox"/> 150 <input type="checkbox"/> MV <input type="checkbox"/> 240	<input type="checkbox"/> WM .....	<input type="checkbox"/> BLACK <b>BKM</b>	<input type="checkbox"/> HOUSE SIDE SHIELD 90° ..... <b>HS 90°</b> 135° ..... <b>HS 135°</b> 180° ..... <b>HS 180°</b>
	<input type="checkbox"/> TYPE IV (FORWARD THROW) IV.....	<input type="checkbox"/> 100 <input type="checkbox"/> 277	<input type="checkbox"/> 1 .....	<input type="checkbox"/> WHITE <b>WTM</b>	<input type="checkbox"/> PHOTO CELL + VOLTAGE (EXAMPLE: PC120V) ..... <b>PC+V</b>
	<input type="checkbox"/> TYPE V V.....	<input type="checkbox"/> 75 <input type="checkbox"/> 480		<input type="checkbox"/> SILVER <b>SLM</b>	<input type="checkbox"/> SINGLE FUSE (120V. , 277V) ..... <b>SF</b>
	<input type="checkbox"/> 70 <input type="checkbox"/> MT			<input type="checkbox"/> DOUBLE FUSE (208V. , 240V) ..... <b>DF</b>	
	<input type="checkbox"/> 50				
	<b>DSARB1- 175 W. MAX.</b>		SEE ARM SECTION FOR ADDITIONAL ARMS	SEE PAGE 3 FOR ADDITIONAL COLORS	

