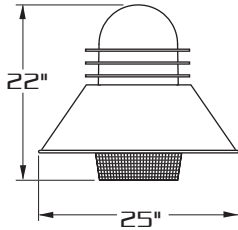
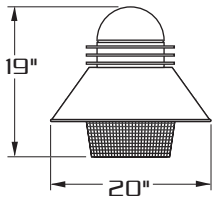


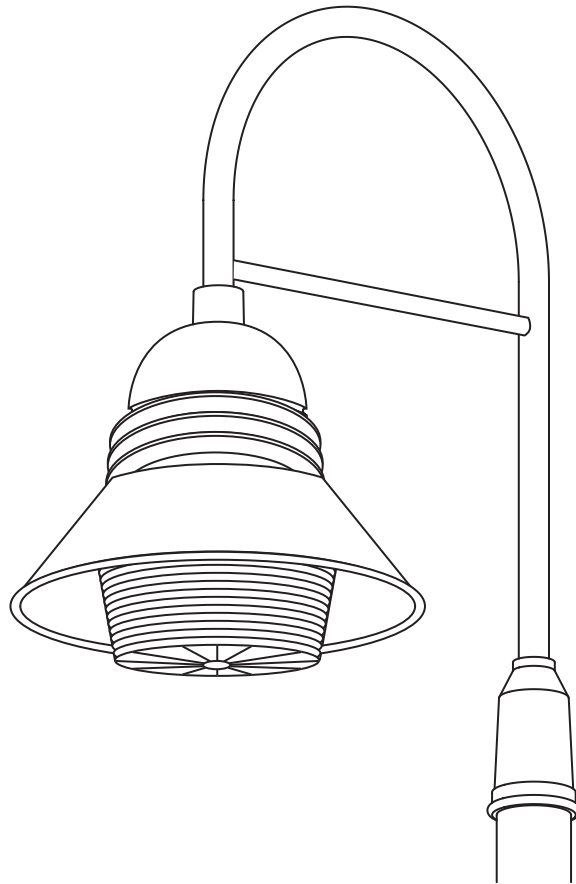
DSARB



DSARB25
[250 W. MAX.]



DSARB1
[175 W. MAX.]



E.P.A. **DSARB25= 1.39**
DSARB1= 1.00



WM



1



2-180



2-90



3-90



3-120



4-90

SPECIFICATIONS

HOUSING: HEAVY WALL ALUMINUM CONSTRUCTION WITH REMOVABLE BALLAST TRAY FOR EASY BALLAST ACCESS. LUMINAIRE PROVIDED WITH DECORATIVE CAST ALUMINUM RINGS.

REFLECTOR: HEAVY WALL ALUMINUM CONSTRUCTION. INSIDE OF REFLECTOR FINISHED WITH HIGH GLOSS WHITE ENAMEL.

OPTICS: CLEAR PRISMATIC POLYCARBONATE REFRACTOR. TYPE V LIGHT DISTRIBUTION.

OPTIONS: TYPE I, II, III, IV LIGHT DISTRIBUTION.

LAMP HOLDER: MEDIUM OR MOGUL BASE PORCELAIN.

LAMP: (BY OTHERS)

BALLAST: H.P.F./C.W.A. AUTOTRANSFORMER. -20° STARTING TEMPERATURE. ELECTRICAL COMPONENTS ARE MOUNTED TO A REMOVABLE BALLAST TRAY. BALLAST IS EQUIPPED WITH FACTORY INSTALLED QUICK DISCONNECT PLUG.

FINISH: POLYESTER POWDER COAT-STATE OF THE ART 20 PSI PRESSURE POWER WASH AT 140° TEMPERATURE INCORPORATES FOUR STEP IRON PHOSPHATE PROCESS TO CLEANSE AND PRETREAT THE METAL SURFACE FOR MAXIMUM PAINT ADHESION. ELECTROSTATICALLY APPLIED TEXTURED POLYESTER POWDER TOPCOAT IS BAKED AT 400° TEMPERATURE FOR MAXIMUM HARDNESS AND EXTERIOR DURABILITY.



660 WEST AVENUE O, PALMDALE, CA. 93551

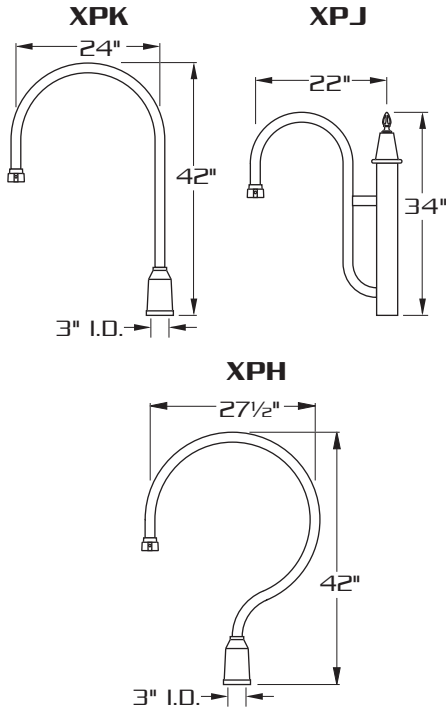
(661) 233-2000

FAX NO. (661) 233-2001

www.usaltg.com

B1-9

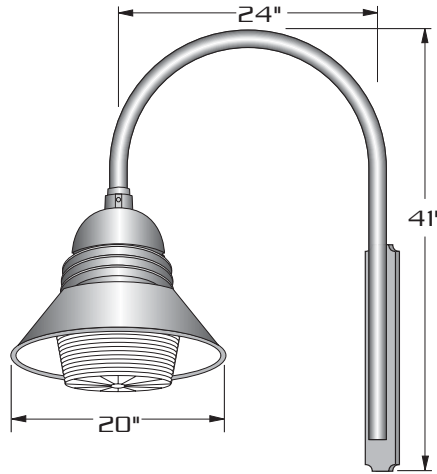
MOUNTING STYLES



AVAILABLE FOR MOUNTING 1 ONLY

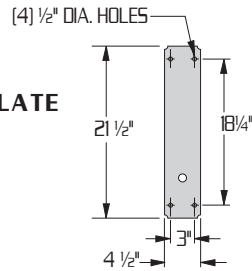
ARMS ARE HEAVY WALL EXTRUDED ALUMINUM CONSTRUCTION. FOR ADDITIONAL ARM OPTIONS SEE ARM SECTION.

WALL MOUNT



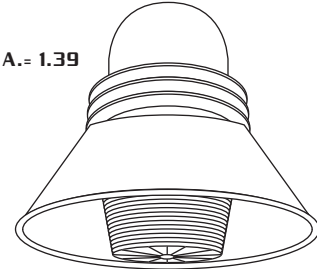
EXTRUDED AND CAST ALUMINUM CONSTRUCTION.

WALL PLATE



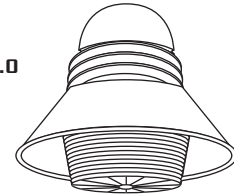
**LAMP SIZE:
50 - 250 WATT**

E.P.A.= 1.39



DSARB25
(250 W. MAX.)

E.P.A.= 1.0



DSARB1
(175 W. MAX.)

FIVE LIGHT DISTRIBUTIONS.

ALL ALUMINUM CONSTRUCTION.

INTEGRAL, SELF CONTAINED BALLAST COMPARTMENT.

THREE MOUNTING STYLES.

ORDERING INFORMATION

MODEL NO. : DSARB	OPTICS	WATTAGE TYPE VOLTAGE	MOUNTING	FINISH	OPTIONS
----------------------	--------	----------------------	----------	--------	---------

MODEL NO. :	OPTICS	LAMP	MOUNTING	FINISH	OPTIONS
DSARB	<input type="checkbox"/> TYPE I I.....	<input type="checkbox"/> 250 <input type="checkbox"/> HPS <input type="checkbox"/> 120 <input type="checkbox"/> 175 <input type="checkbox"/> MH <input type="checkbox"/> 208 <input type="checkbox"/> 150 <input type="checkbox"/> MV <input type="checkbox"/> 240 <input type="checkbox"/> 100 <input type="checkbox"/> 277 <input type="checkbox"/> 75 <input type="checkbox"/> 480 <input type="checkbox"/> 70 <input type="checkbox"/> MT <input type="checkbox"/> 50	<input type="checkbox"/> XPK <input type="checkbox"/> XPJ <input type="checkbox"/> XPH <input type="checkbox"/> WM ● <input type="checkbox"/> 1 ●	<input type="checkbox"/> DARK BRONZE DBM <input type="checkbox"/> MEDIUM BRONZE MBM <input type="checkbox"/> BLACK BKM <input type="checkbox"/> WHITE WTM <input type="checkbox"/> SILVER SLM	<input type="checkbox"/> 3/8" IPS STEM MOUNT AND SWIVEL CANOPY (4'-0" MAX.) SM <input type="checkbox"/> CHAIN MOUNTED (4'-0" MAX.) CM <input type="checkbox"/> HOUSE SIDE SHIELD 90° HS 90° 135° HS 135° 180° HS 180° <input type="checkbox"/> PHOTO CELL + VOLTAGE (EXAMPLE: PC120V) PC+V <input type="checkbox"/> SINGLE FUSE (120V., 277V) SF <input type="checkbox"/> DOUBLE FUSE (208V., 240V) DF
	<input type="checkbox"/> TYPE II II.....				
	<input type="checkbox"/> TYPE III III.....				
	<input type="checkbox"/> TYPE IV (FORWARD THROW) IV.....				
	<input type="checkbox"/> TYPE V V.....				
		DSARB1- 175 W. MAX.	SEE ARM SECTION FOR ADDITIONAL ARMS	SEE PAGE 3 FOR ADDITIONAL COLORS	



660 WEST AVENUE O, PALMDALE, CA. 93551

(661) 233-2000
FAX NO. (661) 233-2001

www.usaltg.com