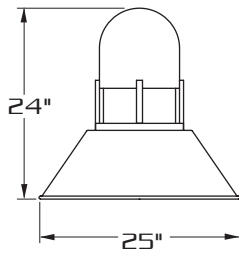
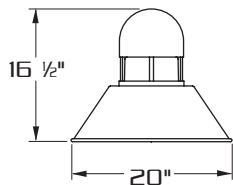


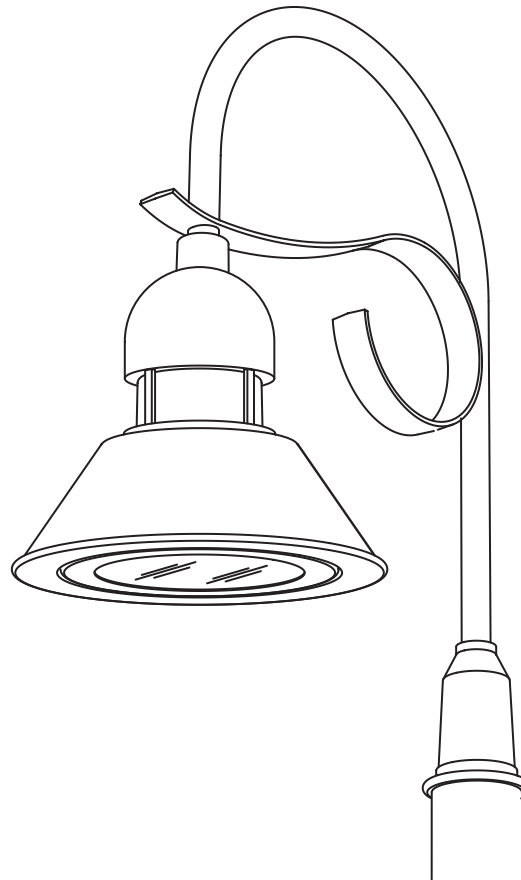
# DSAPL



**DSAPL25**  
[250 W. MAX.]



**DSAPL1**  
[175 W. MAX.]



E.P.A. **DSAPL25= 1.51**  
**DSAPL1= 0.86**



WM



1



2-180



2-90



3-90



3-120



4-90

## SPECIFICATIONS

**HOUSING:** DURABLE ONE PIECE HEAVY WALL CAST ALUMINUM CONSTRUCTION WITH REMOVABLE BALLAST TRAY FOR EASY BALLAST ACCESS. HOUSING PROVIDED WITH UPLIGHT COMPONENT. **REFLECTOR** - HEAVY WALL ALUMINUM CONSTRUCTION.

**LENS ASS'Y:** ONE PIECE HINGED HEAVY GAUGE DIE FORMED ALUMINUM DOOR FRAME SURROUNDS 3/16" CLEAR TEMPERED GLASS LENS. GLASS IS SEALED TO DOOR WITH HIGH TEMPERATURE SILICONE SEAL. CAPTIVE THUMB SCREW DISENGAGES LENS ASSEMBLY AND ACTIVATES ACCUHINGE™ TO ALLOW LENS ASSEMBLY TO HINGE AWAY FROM HOUSING FOR LUMINAIRE ACCESS WITHOUT THE USE OF TOOLS.

**OPTICS:** COMPUTER DESIGNED ONE PIECE SPECULAR SEGMENTED SIDE REFLECTORS COMBINE WITH AN AUXILIARY SPECULAR TOP REFLECTOR TO PRODUCE A HIGHLY EFFICIENT, SHARP CUTOFF. OPTICAL ASSEMBLY IS ROTATABLE IN 90° INCREMENTS.

**GASKETING:** CLOSED CELL EPDM GASKETING COMPRESSED BETWEEN DOOR AND HOUSING WORKS IN COMBINATION WITH ACCUHINGE™ TO PRESSURE SEAL OPTICAL CHAMBER.

**LAMP HOLDER:** MEDIUM OR M06UL BASE PORCELAIN. LAMPHOLDER EQUIPPED WITH FACTORY INSTALLED QUICK DISCONNECT PLUG.

**LAMP:** [BY OTHERS]

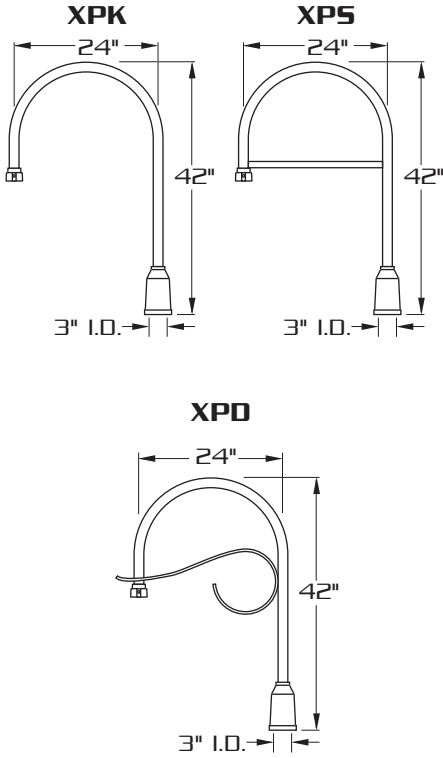
**BALLAST:** H.P.F./C.W.A. AUTOTRANSFORMER. -20° STARTING TEMPERATURE. ELECTRICAL COMPONENTS ARE MOUNTED TO A REMOVABLE BALLAST TRAY. BALLAST IS EQUIPPED WITH FACTORY INSTALLED QUICK DISCONNECT PLUG.

**FINISH:** POLYESTER POWDER COAT-STATE OF THE ART 20 PSI PRESSURE POWER WASH AT 140° TEMPERATURE INCORPORATES FOUR STEP IRON PHOSPHATE PROCESS TO CLEANSE AND PRETREAT THE METAL SURFACE FOR MAXIMUM PAINT ADHESION. ELECTROSTATICALLY APPLIED TEXTURED POLYESTER POWDER TOPCOAT IS BAKED AT 400° TEMPERATURE FOR MAXIMUM HARDNESS AND EXTERIOR DURABILITY.



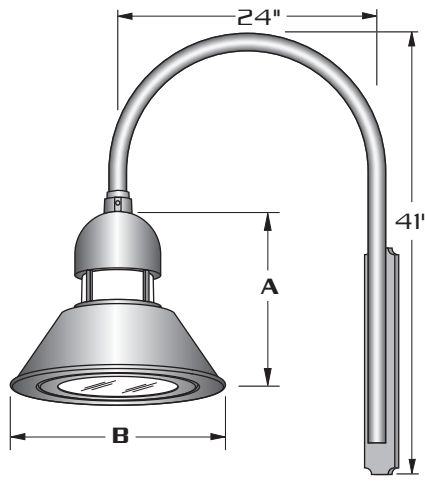
660 WEST AVENUE O, PALMDALE, CA. 93551  
(661) 233-2000  
FAX NO. (661) 233-2001  
[www.usaltg.com](http://www.usaltg.com)

**MOUNTING STYLES**



ARMS ARE HEAVY WALL EXTRUDED ALUMINUM CONSTRUCTION. FOR ADDITIONAL ARM OPTIONS SEE ARM SECTION.

**WALL MOUNT**

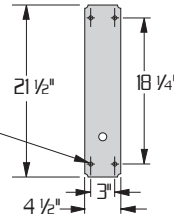


LUM.	A	B
DSCPM1	16 1/2"	20"
DSCPM25	24"	25"

EXTRUDED ALUMINUM ARM AND CAST ALUMINUM WALL BRACKET.

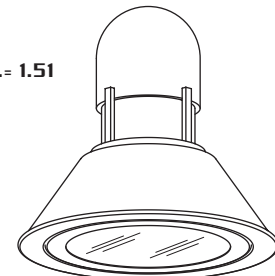
**WALL PLATE**

(4) 1/2" DIA. HOLES



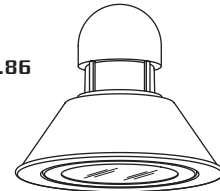
**LAMP SIZE:  
50 - 250 WATT**

E.P.A. = 1.51



**DSAPL25**  
(250 W. MAX.)

E.P.A. = 0.86



**DSAPL1**  
(175 W. MAX.)

FOUR LIGHT DISTRIBUTIONS AVAILABLE.

OPTICAL SYSTEMS ENCLOSED IN IMPACT RESISTANT TEMPERED GLASS LENS.

REFLECTOR IS FIELD ROTATABLE.

**ORDERING INFORMATION**

MODEL NO. : DSAPL	OPTICS	WATTAGE TYPE VOLTAGE	MOUNTING	FINISH	OPTIONS
----------------------	--------	----------------------	----------	--------	---------

MODEL NO. : <b>DSAPL</b>	OPTICS	LAMP	MOUNTING	FINISH	OPTIONS	
<b>DSAPL</b>	<input type="checkbox"/> TYPE II <b>HR-II</b> ..... (segmented, horizontal lamp)	<input type="checkbox"/> 250 <input type="checkbox"/> HPS <input type="checkbox"/> 120 <input type="checkbox"/> 175 <input type="checkbox"/> MH <input type="checkbox"/> 208 <input type="checkbox"/> 150 <input type="checkbox"/> MV <input type="checkbox"/> 240 <input type="checkbox"/> 100 <input type="checkbox"/> 277 <input type="checkbox"/> 75 <input type="checkbox"/> 480 <input type="checkbox"/> 70 <input type="checkbox"/> MT <input type="checkbox"/> 50	<input type="checkbox"/> XPK <input type="checkbox"/> XPS <input type="checkbox"/> XPD <input type="checkbox"/> WM ..... ● <input type="checkbox"/> 1 ..... ●	<input type="checkbox"/> DARK BRONZE <b>DBM</b> <input type="checkbox"/> MEDIUM BRONZE <b>MBM</b> <input type="checkbox"/> BLACK <b>BKM</b> <input type="checkbox"/> WHITE <b>WTM</b> <input type="checkbox"/> SILVER <b>SLM</b>	<input type="checkbox"/> CONVEX GLASS..... <b>DG</b> <input type="checkbox"/> CLEAR CONVEX POLYCARBONATE DIFFUSER..... <b>LEX</b> <input type="checkbox"/> 3/4" IPS STEM MOUNT AND SWIVEL CANOPY (4'-0" MAX.)..... <b>SM</b> <input type="checkbox"/> CHAIN MOUNTED (4'-0" MAX.)..... <b>CM</b> <input type="checkbox"/> HOUSE SIDE SHIELD..... <b>HS</b> <input type="checkbox"/> QUARTZ RESTRIKE..... <b>QTZ</b> <input type="checkbox"/> PHOTO CELL + VOLTAGE (EXAMPLE: PC120V)..... <b>PC+V</b> <input type="checkbox"/> SINGLE FUSE (120V., 277V)..... <b>SF</b> <input type="checkbox"/> DOUBLE FUSE (208V., 240V)..... <b>DF</b>	
	<input type="checkbox"/> TYPE III <b>HR-III</b> ..... (segmented, horizontal lamp)					
	<input type="checkbox"/> TYPE IV (FORWARD THROW) <b>HR-IV</b> ..... (segmented, horizontal lamp)					
	<input type="checkbox"/> TYPE V <b>HR-V-SQ</b> ..... (segmented, horizontal lamp)					
		<p><b>DSAPL25</b> USE MOGUL BASE LAMPS</p> <p><b>DSAPL1</b> USE MEDIUM BASE LAMPS</p>	<p>SEE ARM SECTION FOR ADDITIONAL ARMS</p>	<p>SEE PAGE 3 FOR ADDITIONAL COLORS</p>		



660 WEST AVENUE O, PALMDALE, CA. 93551  
(661) 233-2000  
FAX NO. (661) 233-2001  
www.usaltg.com