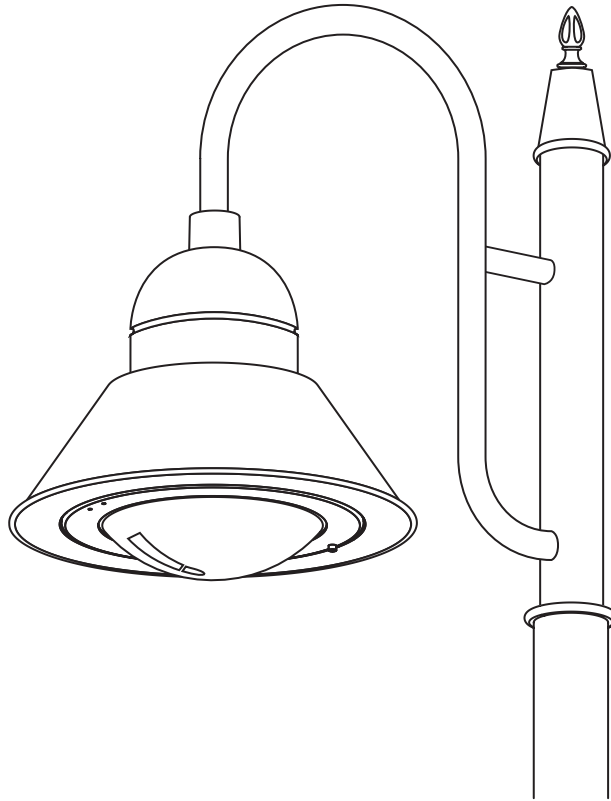
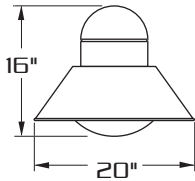


# DSAD1

[175 WATT MAX.]



E.P.A. = 0.80



WM



1



2-180



2-90



3-90



3-120



4-90

## SPECIFICATIONS

**HOUSING:** HEAVY WALL ALUMINUM CONSTRUCTION WITH REMOVABLE BALLAST TRAY FOR EASY BALLAST ACCESS.

**REFLECTOR:** HEAVY WALL ALUMINUM CONSTRUCTION. INSIDE OF REFLECTOR FINISHED WITH HIGH GLOSS WHITE ENAMEL.

**OPTICS:** DISHED OPAL ACRYLIC DIFFUSER. SYMMETRIC LIGHT DISTRIBUTION.

**LAMP HOLDER:** MEDIUM OR MOGUL BASE PORCELAIN.

**LAMP:** [BY OTHERS]

**BALLAST:** H.P.F./C.W.A. AUTOTRANSFORMER. -20° STARTING TEMPERATURE. ELECTRICAL COMPONENTS ARE MOUNTED TO A REMOVABLE BALLAST TRAY. BALLAST IS EQUIPPED WITH FACTORY INSTALLED QUICK DISCONNECT PLUG.

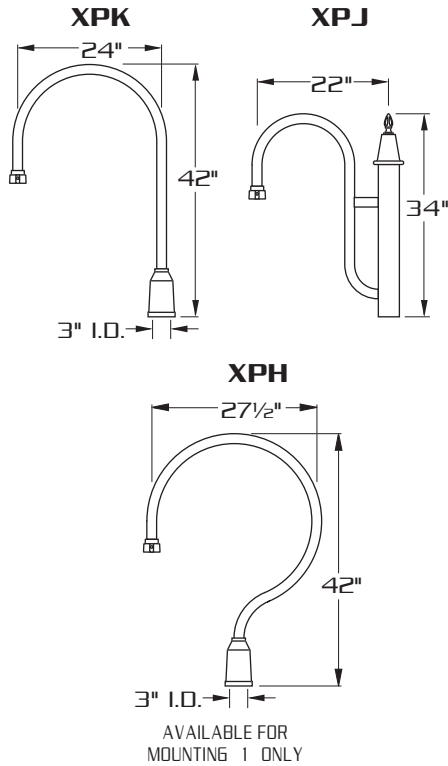
**FINISH:** POLYESTER POWDER COAT-STATE OF THE ART 20 PSI PRESSURE POWER WASH AT 140° TEMPERATURE INCORPORATES FOUR STEP IRON PHOSPHATE PROCESS TO CLEANSE AND PRETREAT THE METAL SURFACE FOR MAXIMUM PAINT ADHESION. ELECTROSTATICALLY APPLIED TEXTURED POLYESTER POWDER TOPCOAT IS BAKED AT 400° TEMPERATURE FOR MAXIMUM HARDNESS AND EXTERIOR DURABILITY.



660 WEST AVENUE O, PALMDALE, CA. 93551  
(661) 233-2000  
FAX NO. (661) 233-2001  
[www.usaltg.com](http://www.usaltg.com)

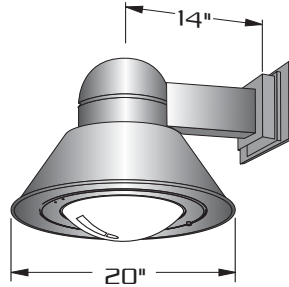
B1-3

**MOUNTING STYLES**



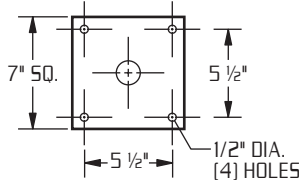
ARMS ARE HEAVY WALL EXTRUDED ALUMINUM CONSTRUCTION. FOR ADDITIONAL ARM OPTIONS SEE ARM SECTION.

**WALL MOUNT**



EXTRUDED AND CAST ALUMINUM CONSTRUCTION. ARM FURNISHED WITH BUILT IN GASKETED HAND HOLE FOR FIXTURE WIRE/SUPPLY WIRE CONNECTION.

**WALL PLATE**



**LAMP SIZE:  
50 - 175 WATT**

E.P.A. = 0.80



ALL ALUMINUM CONSTRUCTION.  
INTEGRAL, SELF CONTAINED BALLAST COMPARTMENT.  
THREE MOUNTING STYLES.

**ORDERING INFORMATION**

MODEL NO.:	OPTICS	WATTAGE TYPE VOLTAGE	MOUNTING	FINISH	OPTIONS
DSAD1					

MODEL NO.:	OPTICS	LAMP	MOUNTING	FINISH	OPTIONS
<b>D S A D 1</b>	<p><b>STANDARD:</b></p> <input type="checkbox"/> OPAL ACRYLIC WA <p><b>OPTIONS:</b></p> <input type="checkbox"/> CLEAR ACRYLIC CA <input type="checkbox"/> OPAL POLYCARBONATE WP <input type="checkbox"/> CLEAR POLYCARBONATE CP	<p>WATTAGE TYPE VOLTAGE</p> <input type="checkbox"/> 175 <input type="checkbox"/> HPS <input type="checkbox"/> 120 <input type="checkbox"/> 150 <input type="checkbox"/> MH <input type="checkbox"/> 208 <input type="checkbox"/> 100 <input type="checkbox"/> MV <input type="checkbox"/> 240 <input type="checkbox"/> 75 <input type="checkbox"/> 277 <input type="checkbox"/> 70 <input type="checkbox"/> 480 <input type="checkbox"/> 50 <input type="checkbox"/> MT	<input type="checkbox"/> XPK <input type="checkbox"/> XPJ <input type="checkbox"/> XPH <input type="checkbox"/> WM ..... ● <input type="checkbox"/> 1 ..... ●  <p>SEE ARM SECTION FOR ADDITIONAL ARMS</p>	<input type="checkbox"/> DARK BRONZE DBM <input type="checkbox"/> MEDIUM BRONZE MBM <input type="checkbox"/> BLACK BKM <input type="checkbox"/> WHITE WTM <input type="checkbox"/> SILVER SLM  <p><b>OPTION:</b></p> <input type="checkbox"/> ANODIZED AZ ANODIZED HOUSING MUST HAVE PAINT FINISH COAT EXAMPLE: AZDBM  SEE PAGE 3 FOR ADDITIONAL COLORS	<input type="checkbox"/> 3/8" IPS STEM MOUNT AND SWIVEL CANOPY (4'-0" MAX.) ..... SM <input type="checkbox"/> CHAIN MOUNTED (4'-0" MAX.) ..... CM <input type="checkbox"/> HOUSE SIDE SHIELD 90° ..... HS 90° 135° ..... HS 135° 180° ..... HS 180° <input type="checkbox"/> PHOTO CELL + VOLTAGE (EXAMPLE: PC120V) ..... PC+V <input type="checkbox"/> SINGLE FUSE (120V., 277V) ..... SF <input type="checkbox"/> DOUBLE FUSE (208V., 240V) ..... DF



660 WEST AVENUE O, PALMDALE, CA. 93551  
 (661) 233-2000  
 FAX NO. (661) 233-2001  
 www.usaltg.com