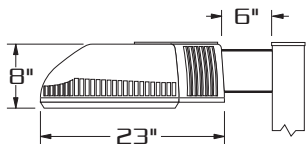
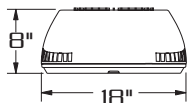


# AEROLUME™

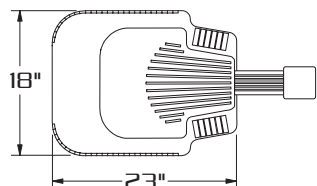
[400 WATT MAX.]



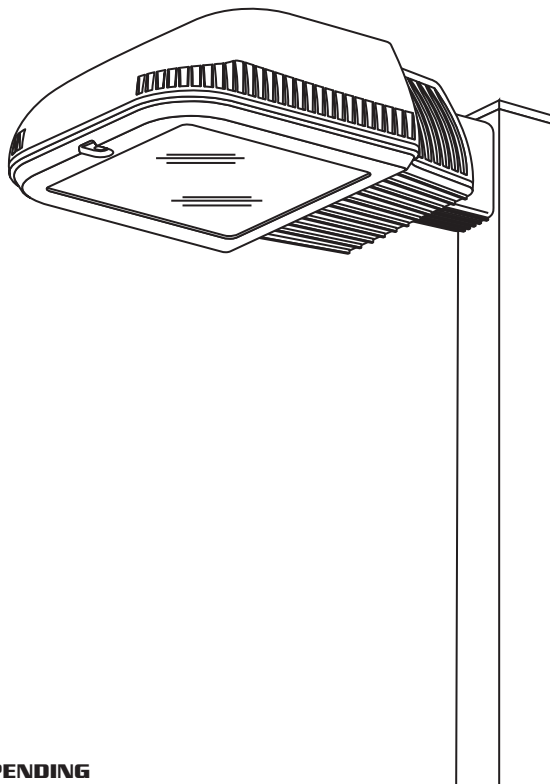
**SIDE VIEW**



**FRONT VIEW**



**TOP VIEW**



**PATENT PENDING**

E.P.A.- 1.40



WM



1



2-180



2-90



3-90



3-120



4-90

## SPECIFICATIONS

**HOUSING:** PRECISE, ONE PIECE CAST ALUMINUM CONSTRUCTION. AERODYNAMIC STYLING OF HOUSING AND BALLAST COMPARTMENT FEATURES RIBBED DETAILS WHICH DISSIPATES HEAT FROM LUMINAIRE INTERIOR TO INCREASE BOTH BALLAST AND LAMP LIFE.

**LENS ASS'Y:** PRECISE, ONE PIECE CAST ALUMINUM CONSTRUCTION. DOOR FRAME ENCASES 3/16" CLEAR TEMPERED GLASS LENS SEALED TO DOOR FRAME WITH HIGH TEMPERATURE EPDM GASKET TO COMPLETELY SEAL DOOR FRAME FROM CONTAMINANTS. QUARTER TURN FASTENER DISENGAGES LENS ASSEMBLY AND ACTIVATES ACCULATCH™ HINGE TO ALLOW LENS ASSEMBLY TO HINGE AWAY FROM HOUSING FOR LUMINAIRE ACCESS WITHOUT THE USE OF TOOLS.

**OPTICS:** COMPUTER DESIGNED ONE PIECE SPECULAR SEGMENTED SIDE REFLECTORS COMBINE WITH AN AUXILIARY HAMMERED PATTERNED TOP REFLECTOR TO PRODUCE A HIGHLY EFFICIENT, SHARP CUTOFF. OPTICAL ASSEMBLY IS ROTATABLE IN 90° INCREMENTS.

**GASKETING:** CLOSED CELL EPDM GASKETING COMPRESSED BETWEEN DOOR AND HOUSING WORKS IN COMBINATION WITH ACCULATCH™ HINGE TO PRESSURE SEAL OPTICAL CHAMBER.

**LAMP HOLDER:** MOGUL BASE PORCELAIN. LAMPHOLDER EQUIPPED WITH FACTORY INSTALLED QUICK DISCONNECT PLUG.

**LAMP:** (BY OTHERS)

**BALLAST:** ELECTRICAL COMPONENTS ARE FACTORY PREWIRED WITH QUICK-DISCONNECT PLUGS, AND ARE MOUNTED TO A ONE PIECE HINGED BALLAST PLATE. BALLAST PLATE DISENGAGES FROM HOUSING WITHOUT USE OF TOOLS. BALLAST PLATE HINGES AND IS REMOVABLE FOR SERVICING.

**ARM:** 3"X5"X6" LONG HEAVY WALL EXTRUDED ALUMINUM. ARM IS DESIGNED WITH SOFT CORNERS AND HORIZONTAL RIBS TO COMPLIMENT STYLING ON HOUSING AND DOOR FRAME.

**HARDWARE:** ALL EXPOSED HARDWARE IS STAINLESS STEEL.

**FINISH:** POLYESTER POWDER COAT-STATE OF THE ART 20 PSI PRESSURE POWER WASH AT 140° TEMPERATURE INCORPORATES FOUR STEP IRON PHOSPHATE PROCESS TO CLEANSE AND PRETREAT THE METAL SURFACE FOR MAXIMUM PAINT ADHESION. ELECTROSTATICALLY APPLIED TEXTURED POLYESTER POWDER TOP COAT IS BAKED AT 400° TEMPERATURE FOR MAXIMUM HARDNESS AND EXTERIOR DURABILITY.



660 WEST AVENUE O, PALMDALE, CA. 93551

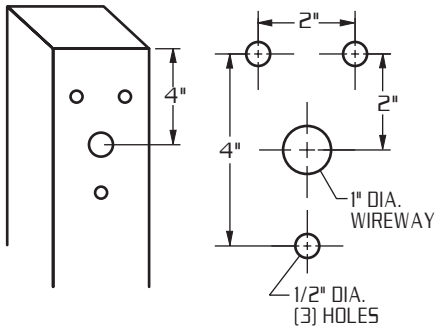
(661) 233-2000

FAX NO. (661) 233-2001

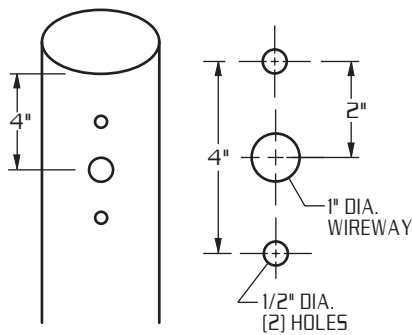
www.usaltg.com

A1-1

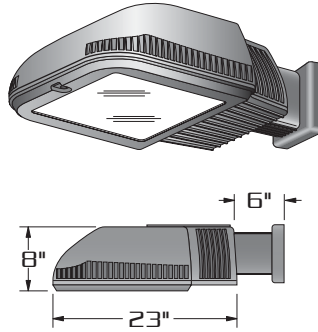
**TYPICAL SQUARE POLE TEMPLATE**



**TYPICAL ROUND POLE TEMPLATE**

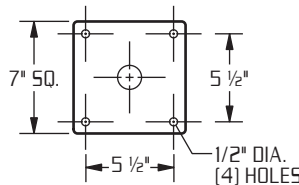


**WALL MOUNT**

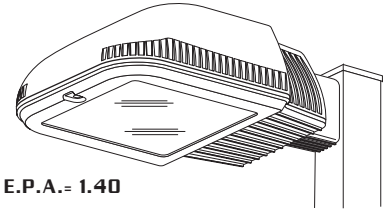


EXTRUDED ALUMINUM ARM AND CAST ALUMINUM WALL BRACKET ASSEMBLY PROVIDED WITH BUILT IN GASKETED WIRE ACCESS FOR FIXTURE/SUPPLY WIRE CONNECTION.

**WALL PLATE**



**LAMP SIZE:  
100 - 400 WATT**



E.P.A. = 1.40

PATENT PENDING

**PRECISE CAST ALUMINUM HOUSING AND DOOR FRAME.**

**OPTICAL SYSTEM ENCLOSED IN IMPACT RESISTANT TEMPERED GLASS LENS.**

**REFLECTOR IS ENTIRELY FIELD ROTATABLE.**

**TOOLESS ENTRY TO LUMINAIRE HOUSING.**

**BALLAST TRAY IS HINGED AND REMOVABLE WITHOUT THE USE OF TOOLS FOR EASY ACCESS TO ELECTRICAL COMPONENTS.**

**ORDERING INFORMATION**

MODEL NO. : AER	OPTICS	WATTAGE TYPE VOLTAGE	MOUNTING	FINISH	OPTIONS
--------------------	--------	----------------------	----------	--------	---------

MODEL NO. : <b>AER</b>	OPTICS	LAMP	MOUNTING	FINISH	OPTIONS
	<input type="checkbox"/> TYPE I I ..... (hydroform)  <input type="checkbox"/> TYPE II II ..... (hydroform)  <input type="checkbox"/> TYPE III III ..... (segmented)  <input type="checkbox"/> TYPE IV (FORWARD THROW) IV ..... (segmented)  <input type="checkbox"/> TYPE V V-SQ... (segmented)	<b>WATTAGE TYPE VOLTAGE</b> <input type="checkbox"/> 400 <input type="checkbox"/> HPS <input type="checkbox"/> 120 <input type="checkbox"/> 250 <input type="checkbox"/> MH <input type="checkbox"/> 208 <input type="checkbox"/> 200 <input type="checkbox"/> MV <input type="checkbox"/> 240 <input type="checkbox"/> 175 <input type="checkbox"/> 277 <input type="checkbox"/> 150 <input type="checkbox"/> 480 <input type="checkbox"/> 100 <input type="checkbox"/> MT	<b>ARM MOUNT</b> <input type="checkbox"/> 1 .....  <b>STREET LIGHTING ARM MOUNT</b> <input type="checkbox"/> ST 23 ..... (TO FIT OVER 2 3/8" O.D. ARM)	<input type="checkbox"/> DARK BRONZE DBM <input type="checkbox"/> MEDIUM BRONZE MBM <input type="checkbox"/> BLACK BKM <input type="checkbox"/> WHITE WTM <input type="checkbox"/> SILVER SLM	<input type="checkbox"/> CLEAR POLYCARBONATE DIFFUSER ..... LEX <input type="checkbox"/> HOUSE SIDE SHIELD ..... HS <input type="checkbox"/> PHOTO CELL + VOLTAGE (EXAMPLE: PC120V) ..... PC+V <input type="checkbox"/> TWIST LOCK PHOTO CELL+VOLTAGE (EXAMPLE TPC120V) ..... TPC+V <input type="checkbox"/> TWIST LOCK RECEPTACLE ONLY ..... TPR <input type="checkbox"/> SINGLE FUSE (120V., 277V) ..... SF <input type="checkbox"/> DOUBLE FUSE (208V., 240V) ..... DF
		<b>METAL HALIDE UNITS ONLY</b> USE ED28 LAMP FOR 400 W. USE MEDIUM BASE LAMP FOR 100 W.	<b>ADJUSTABLE KNUCKLE</b> <input type="checkbox"/> NKLE23 ..... (TO FIT OVER 2 3/8" O.D. )		
			<input type="checkbox"/> NKLE27 ..... (TO FIT OVER 2 7/8" O.D. )		
			<b>WALL MOUNT</b> <input type="checkbox"/> WM .....		
				SEE PAGE 3 FOR ADDITIONAL COLORS	



660 WEST AVENUE O, PALMDALE, CA. 93551

(661) 233-2000  
FAX NO. (661) 233-2001

www.usaltg.com