

LAE SERIES-LED

SPECIFICATIONS

LUMINAIRE

FITTER: Durable corrosion resistant cast aluminum construction.

DIFFUSER: One piece high impact resistance clear polycarbonate with ultra violet inhibitor for color stability.

OPTIONS: Opal Polycarbonate, Clear Acrylic, Opal Acrylic.

LED SYSTEM

OPTICS: Consists of an assembly of totally enclosed LED emitters each surrounded by a directional reflector to produce an IES Type II, III, IV or Type V light distribution. Emitters are mounted to a barrier plate that separates the driver(s) from the optical compartment (Barrier plate is mechanically attached to the housing).

EMITTERS: 40, 60 or 80 Luxeon® Rebel LED Emitters @ 350 or 500 mA. Emitters are mounted to a vented circuit board. The copper filled vents conduct heat from the component side of the mounting side of the circuit board. Circuit board is mechanically secured to a heat transfer backing plate mounted to a finned heat sink for thermal control.

DRIVER: Proprietary LED driver(s) accepts input voltage from 100-277 VAC. Driver is enclosed in water tight housing. Driver(s) and LED module are Factory wired.

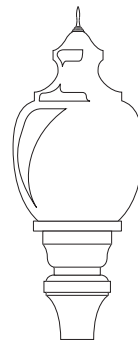
FINISH

Polyester powder coat incorporates 4-step iron phosphate process to cleanse and treat metal surface for maximum paint adhesion. Electrostatically applied textured polyester powder topcoat is baked at 400°F for maximum hardness and exterior durability.

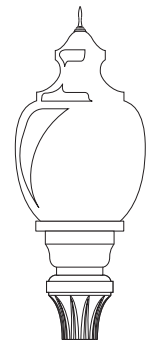


LAE

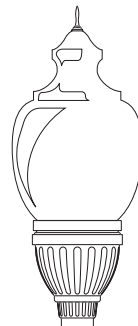
PATENT PENDING



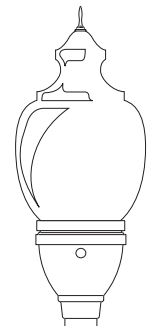
LAE-LED-YD
16.5" DIA. x 42"
(419.1MM DIA. x 1,066.8MM)



LAE-LED-YE
16.5" DIA. x 42"
(419.1MM DIA. x 1,066.8MM)



LAE-LED-UA
16.5" DIA. x 40.5"
(419.1MM DIA. x 1,028.7MM)



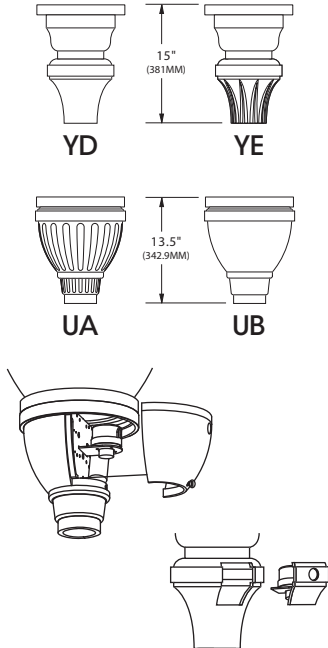
LAE-LED-UB
16.5" DIA. x 40.5"
(419.1MM DIA. x 1,028.7MM)



LAE SERIES - LED

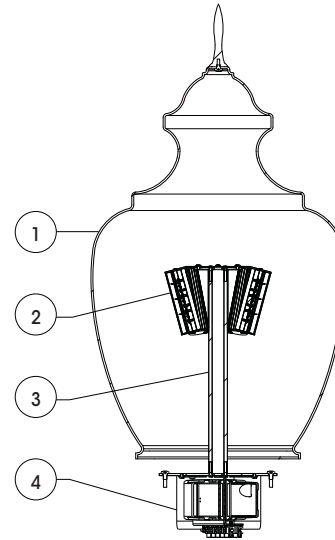
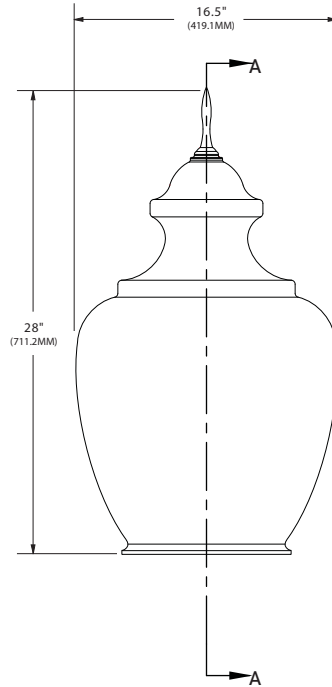
S P E C I F I C A T I O N S

FITTER



ALL FITTERS AVAILABLE WITH
MINI BUTTON CELLS OR TWIST
LOCK PHOTOCELLS
SEE OPTIONS

LUMINAIRE



SECTION A-A

1. Diffuser
2. LED Emitters
3. Heat Transfer Bottom Rod
4. Proprietary Driver

E.P.A. = 1.88

PATENT PENDING

O R D E R I N G I N F O R M A T I O N

LUMINAIRE-FITTER	DIFFUSER	OPTICS	WATTAGE & LED COLOR	FINISH	OPTIONS
LUMINAIRE	DIFFUSER	OPTICS	WATT. & LED COLOR	FINISH	OPTIONS
LUMINAIRE-FITTER <input type="checkbox"/> LAE-LED-YD <input type="checkbox"/> LAE-LED-YE <input type="checkbox"/> LAE-LED-UA <input type="checkbox"/> LAE-LED-UB	<input type="checkbox"/> CLEAR POLYCARBONATECP <input type="checkbox"/> OPAL POLYCARBONATEOP <input type="checkbox"/> CLEAR ACRYLICCA <input type="checkbox"/> OPAL ACRYLICOA	<input type="checkbox"/> TYPE II <input type="checkbox"/> TYPE III <input type="checkbox"/> TYPE IV <input type="checkbox"/> TYPE V	LED COLOR 350mA Drive Current <input type="checkbox"/> NW <input type="checkbox"/> 40LED-35 (44watts) <input type="checkbox"/> CW <input type="checkbox"/> 60LED-35 (66watts) <input type="checkbox"/> 80LED-35 (88watts) 500mA Drive Current <input type="checkbox"/> 40LED-50 (64watts) <input type="checkbox"/> 60LED-50 (96watts) <input type="checkbox"/> 80LED-50 (128watts) *NW - NEUTRAL WHITE (4100K) *STANDARD CW - COOL WHITE (6500K) OTHER LED COLORS AVAILABLE CONSULT FACTORY	STANDARD TEXTURED FINISH <input type="checkbox"/> BLACK RAL-9005-T <input type="checkbox"/> WHITE RAL-9003-T <input type="checkbox"/> GREY RAL-7004-T <input type="checkbox"/> DARK BRONZE RAL-8019-T <input type="checkbox"/> GREEN RAL-6005-T FOR SMOOTH FINISH REMOVE SUFFIX "T" (EXAMPLE: RAL-9500) SEE WEBSITE FOR ADDITIONAL COLORS	<input type="checkbox"/> HOUSE SIDE SHIELDHS <input type="checkbox"/> PHOTO CELL + VOLTAGE (EXAMPLE: PC120V)PC+v <input type="checkbox"/> TWIST LOCK PHOTO CELL + VOLTAGE (EXAMPLE: TPC120V)TPC+z (YD & YE FITTERS ONLY) <input type="checkbox"/> SINGLE FUSE (120V, 277V)SF <input type="checkbox"/> DOUBLE FUSE (208V, 240V)DF