

# SPECIFICATION

# SIGMA™

## HOUSING

Precise cast aluminum construction.  
Traditional styling of the housing features decorative accents and flutes with open struts.

## LENS ASSEMBLY

Door frame encases 3/16" clear tempered glass lens sealed to door frame with high temperature EPDM gasket to completely seal door frame from contaminants.

## OPTICS

Computer designed specular segmented reflector combines with lens to produce a highly efficient full cutoff optics.  
Optical assembly is removable without the use of tools and is field rotatable in 90° increments.

## GASKETING

Closed cell EPDM gasketing compressed between door and housing.

## LAMP HOLDER

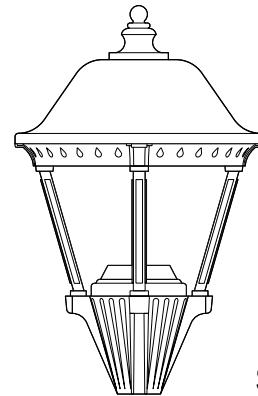
Porcelain lamp holder is equipped with factory installed quick disconnect plug.  
Mogul base for SIGMA1.  
Medium base for SIGMA2.  
(Lamp by others.)

## BALLAST

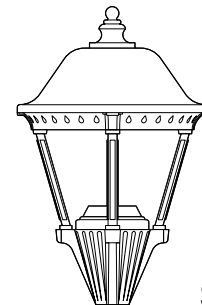
Electrical components are factory pre-wired with quick-disconnect plugs, and are mounted to a cast ballast compartment cover.  
Ballast cover disengages from housing and is removable for servicing.

## FINISH

Polyester powdercoat incorporates a four step iron phosphate process to pretreat metal surface for maximum adhesion. Top coat is baked at 400 degree temperature for maximum hardness and exterior durability.



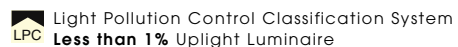
SIGMA1



SIGMA2



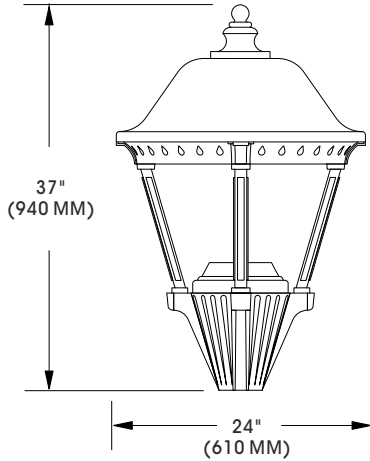
U.L. Listed for wet location



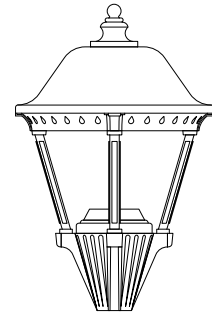
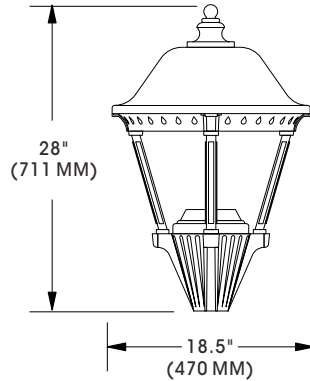
Light Pollution Control Classification System  
LPC Less than 1% Uplight Luminaire

## S P E C I F I C A T I O N S

**SIGMA1  
(SIG1)**



**SIGMA2  
(SIG2)**



SIGMA1 (250 WATT MAX) EPA - 1.58  
SIGMA2 (150 WATT MAX) EPA - .96

ALL CAST ALUMINUM CONSTRUCTION.






OPTICAL SYSTEM ENCLOSED BY  
TEMPERED GLASS LENS.

REFLECTOR IS ENTIRELY  
FIELD ROTATABLE  
IN 90 DEGREE INCREMENTS.

TOOLESS ENTRY FOR LAMP REPLACEMENT.

SIGMA1 AND SIGMA2 REQUIRE A 2 7/8" X 3" (73MM X 76MM) TENON FOR MOUNTING.

## O R D E R I N G I N F O R M A T I O N

MODEL NO. : SIG	OPTICS	WATTAGE TYPE	VOLTAGE	MOUNTING	FINISH	OPTIONS	
MODEL NO. : SIG	OPTICS	LAMP	MOUNTING	FINISH	OPTIONS		
<b>S I G</b>	<b>HORIZONTAL LAMP REFLECTORS</b>  <input type="checkbox"/> TYPE II HR-II   <input type="checkbox"/> TYPE III HR-III   <input type="checkbox"/> TYPE IV HR-IV   <input type="checkbox"/> TYPE V HR-V-SQ   <input type="checkbox"/> TYPE FT* FT-HSC (REAR CUT-OFF) *175W MAX MEDIUM BASE ONLY 	<b>WATTAGE/TYPE VOLTAGE</b>  <b>SIGMA1</b> <input type="checkbox"/> 250 <input type="checkbox"/> HPS <input type="checkbox"/> 120 <input type="checkbox"/> 200 <input type="checkbox"/> MH <input type="checkbox"/> 208 <input type="checkbox"/> 175 <input type="checkbox"/> PSMH <input type="checkbox"/> 240 <input type="checkbox"/> 150 <input type="checkbox"/> 480 <input type="checkbox"/> MT  <b>SIGMA2</b> <input type="checkbox"/> 150 <input type="checkbox"/> HPS <input type="checkbox"/> 120 <input type="checkbox"/> 100 <input type="checkbox"/> MH <input type="checkbox"/> 208 <input type="checkbox"/> 70 <input type="checkbox"/> PSMH <input type="checkbox"/> 240 <input type="checkbox"/> 50 <input type="checkbox"/> 277 <input type="checkbox"/> 480 <input type="checkbox"/> MT	<b>SIGMA1</b> MOGUL BASE LAMP ED-28 OR EQUAL BY OTHERS  <b>SIGMA2</b> MEDIUM BASE LAMP ED-17 OR EQUAL BY OTHERS	<input type="checkbox"/> PT ..... ○  <input type="checkbox"/> WM ..... ○	<b>STANDARD TEXTURED FINISH</b>  <input type="checkbox"/> BLACK RAL-9005-T  <input type="checkbox"/> WHITE RAL-9003-T  <input type="checkbox"/> GREY RAL-7004-T  <input type="checkbox"/> DRK BRONZE RAL-8019-T  <input type="checkbox"/> GREEN RAL-6005-T  FOR SMOOTH FINISH REMOVE SUFFIX "T" (EXAMPLE: RAL-9500)  SEE WEBSITE FOR ADDITIONAL COLORS	<input type="checkbox"/> HOUSE SIDE SHIELD ..... HS  <input type="checkbox"/> PHOTO CELL + VOLTAGE (EXAMPLE: PC120V) ... PC+V  <input type="checkbox"/> SINGLE FUSE (120V, 277V) ..... SF  <input type="checkbox"/> DOUBLE FUSE (208V, 240V) ..... DF  <input type="checkbox"/> QUARTZ RESTRIKE ..... QTZ	