

H.I.D. AREA LIGHTING

OV SERIES-HID

S P E C I F I C A T I O N S

LUMINAIRE

High Impact polycarbonate lens provided with durable corrosion resistant cast aluminum housing and cage. Heavy gauge formed aluminum reflector Top is hinged for access. Pendant Mount uses Trulevel™ ball coupling mount. All hardware is stainless steel.

REFLECTOR

Heavy wall spun aluminum construction. Bottom side finished with a high gloss white enamel for maximum reflectivity.

OPTICS

One piece clear polycarbonate lens encloses clear prismatic glass refractor. Type I I I or Type V light distribution. Sockets are porcelain 4KV pulse rated, medium base (E26) for 50W - 175W or mogul base (E39) for 250W.)

ELECTRICAL COMPONENTS

All electrical components are UL and cUL recognized mounted on a single plate and factory wired with quick-disconnect. Electrical module attaches to housing with toolless hinge and latch. Magnetic MH ballasts are high power factor (70W - 150W) or CWA (250W), -20°F starting, multi-tap 120-277V, 60Hz. All HPS ballasts are core and coil, high-reactance, high power factor (70W - 150W) or CWA (200W - 250W), -40°F starting.

FINISH

Electrostatically applied TGIC Polyester Powder Coat on substrate prepared with 20 PSI power wash at 140°F. Four step iron phosphate pretreatment for protection and paint adhesion. 400°F bake for maximum hardness and durability. Texture finish is standard.

PROJECT NAME: _____

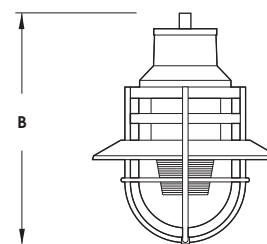
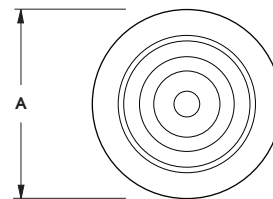
FIXTURE TYPE: _____



OV *

* OV1 SHOWN

PATENT PENDING

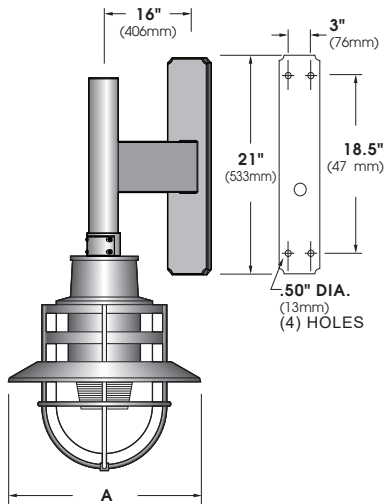


FIXTURE	A	B
OV1	24" 610mm	28" 711mm
OV2	16" 406mm	20" 508mm

OV SERIES - HID

S P E C I F I C A T I O N S

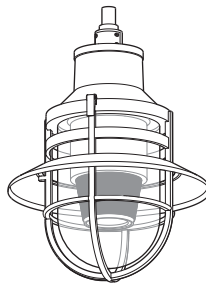
WALL MOUNT



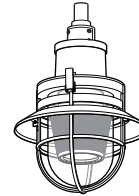
FIXTURE	A
OV1	14" 356mm
OV2	13" 330mm

EXTRUDED ALUMINUM ARM AND
CAST ALUMINUM WALL BRACKET
SHOWN WITH XAO-WM.

E.P.A. & LAMP WATTAGE

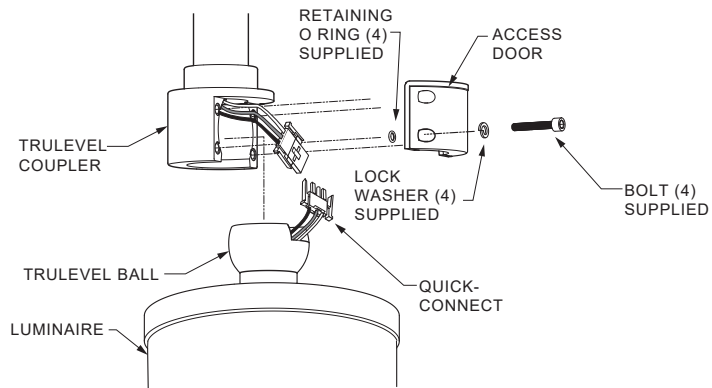


OV1 E.P.A.= 1.85
LAMP SIZE: 50 - 250 WATT



OV2 E.P.A.= 0.82
LAMP SIZE: 50 - 100 WATT

TRULEVEL SYSTEM



PATENT PENDING

Spec/Order Example: OV1-CP/250HPS347/RAL-9003-S/TPR

S P E C / O R D E R I N G I N F O R M A T I O N

MODEL	WATTAGE	TYPE	VOLTAGE	OPTICS	MOUNTING	FINISH	OPTIONS
MODEL	LAMP			OPTICS	MOUNTING	FINISH	OPTIONS
	WATTAGE	TYPE	VOLTAGE		ARM MOUNT	STANDARD TEXTURED FINISH	
<input type="checkbox"/> OV1/CP	<input type="checkbox"/> 250	<input type="checkbox"/> PSMH	<input type="checkbox"/> 120	<input type="checkbox"/> PRISMATIC GLASS REFRACTOR TYPE IIII PG - III	<input type="checkbox"/> 1	<input type="checkbox"/> BLACK RAL-9005-T	<input type="checkbox"/> HOUSE SIDE SHIELD HS
<input type="checkbox"/> OV2/CP	<input type="checkbox"/> 175	<input type="checkbox"/> HPS	<input type="checkbox"/> 208	<input type="checkbox"/> PRISMATIC GLASS REFRACTOR TYPE V PG - V	<input type="checkbox"/> 2-180	<input type="checkbox"/> WHITE RAL-9003-T	<input type="checkbox"/> PHOTO CELL + VOLTAGE (EXAMPLE: PC120V) PC+V
	<input type="checkbox"/> 150		<input type="checkbox"/> 240	DIFFUSER OPTIONS:	<input type="checkbox"/> 2-90	<input type="checkbox"/> GREY RAL-7004-T	<input type="checkbox"/> TWIST LOCK PHOTO CELL+VOLTAGE (EXAMPLE TPC120V) TPC+V
	<input type="checkbox"/> 100		<input type="checkbox"/> 277	<input type="checkbox"/> CLEAR ACRYLIC... CA	<input type="checkbox"/> 3-90	<input type="checkbox"/> DARK BRONZE RAL-8019-T	<input type="checkbox"/> TWIST LOCK RECEPTACLE ONLY..... TPR
	<input type="checkbox"/> 70		<input type="checkbox"/> 347	<input type="checkbox"/> OPAL ACRYLIC... WA	<input type="checkbox"/> 3-120	<input type="checkbox"/> GREEN RAL-6005-T	<input type="checkbox"/> SINGLE FUSE (120V., 277V) SF
	<input type="checkbox"/> 50		<input type="checkbox"/> 480	<input type="checkbox"/> OPAL POLYCARBONATE WP	<input type="checkbox"/> 4-90		<input type="checkbox"/> DOUBLE FUSE (208V., 240V) DF
	250 W. REQUIRES FROSTED TEMPERED GLASS DIFFUSER			<input type="checkbox"/> FROSTED TEMPERED GLASS..... FG (OV1 ONLY)	WALL MOUNT	FOR SMOOTH FINISH REPLACE SUFFIX "T" WITH SUFFIX "S" (EXAMPLE: RAL-9005-S)	
					<input type="checkbox"/> WM	SEE USALTG.COM FOR ADDITIONAL COLORS	
							CONSULT FACTORY FOR DIMMING APPLICATIONS

CLEAR POLYCARBONATE (CP) ENCLOSURE STANDARD UP TO 175W.

FROSTED TEMPERED GLASS (FG) ENCLOSURE STANDARD FOR 250W.