

H.I.D. AREA LIGHTING

LUMENATOR-PT2 SERIES-HID

S P E C I F I C A T I O N S

HOUSING

Heavy cast low copper aluminum assembly (A360 alloy, <0.4% copper) Minimum wall thickness is .188". Housing attaches to pole via a one piece, extruded aluminum arm with centering guides for internal draw bolts. Housing/pole junction is gasketed. All exposed hardware is stainless steel. Internal protected hardware is electro-zinc plated.

ARM

Four (4) one inch square extruded aluminum arms welded to a cast aluminum pole top fitter. Arm assembly is mechanically attached to twin castings welded to either side of the housing.

LENS ASSEMBLY

Precise, durable cast aluminum door frame surrounds 3/16" clear tempered glass lens. Glass is sealed to door with high temperature silicone seal. Closed cell EPDM gasketing compressed between door and housing seals optical chamber.

OPTICS

Specular Alzak® optical segments rigidly mounted in an aluminum frame, which attaches to the housing as a one piece module. All sockets are porcelain 4KV pulse rated, medium base (E26) up to 150W or pin-oriented mogul base (E39) up to 400W. Reflector modules are factory prewired with a quick-disconnect plug.

ELECTRICAL COMPONENTS

All electrical components are UL and cUL recognized components mounted on a single plate and factory prewired with quick-disconnect plugs. Electrical module attaches to housing with no-tool hinges and latches, accessible by opening the lens frame. Magnetic MH ballasts are high power factor (100W - 150W) or CWA (250W - 400W), -20°F starting, multi-tap 120-277V or 480V, 60Hz. All HPS ballasts are core and coil, high-reactance, high power factor (100W - 150W) or CWA (200W - 400W), -40°F starting.

FINISH

Electrostatically applied TGIC Polyester Powder Coat on substrate prepared with 20 PSI power wash at 140°F. Four step iron phosphate pretreatment for protection and paint adhesion. 400°F bake for maximum hardness and durability. Texture finish is standard.

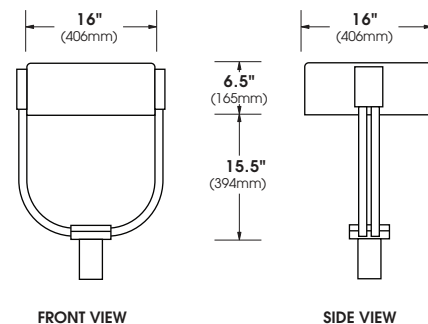
PROJECT NAME: _____

FIXTURE TYPE: _____



LUM-PT2

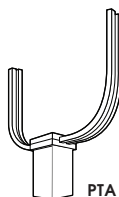
PATENT PENDING



LUMENATOR-PT2 SERIES - HID

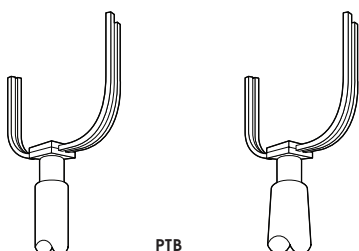
S P E C I F I C A T I O N S

MOUNTING STYLES



STANDARD TENON ASSEMBLY FOR 4" & 5" SQUARE POLES.

DECORATIVE RING SUPPLIED FOR 6" SQUARE POLES. (SPECIFY POLE I.D.)

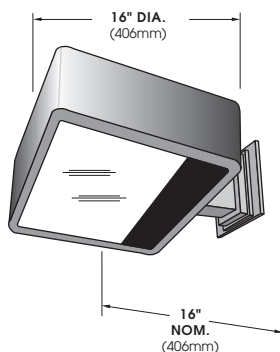


TENON ASSEMBLY FOR TAPERED OR ROUND POLES. TENON ASSEMBLY IS ALSO AVAILABLE AS AN OPTION FOR 4", 5" OR 6" SQUARE POLES.

SPECIFY MOUNTING ASSEMBLY:
PTB27-TO FIT OVER 2 7/8" O.D. TENON.

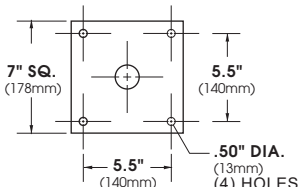
PTB23-TO FIT OVER 2 3/8" O.D. TENON.

WALL MOUNT

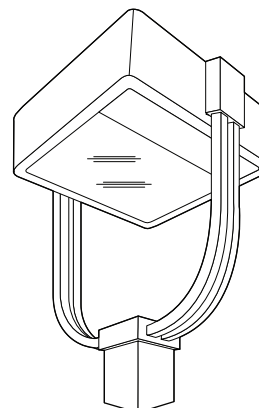


EXTRUDED ALUMINUM ARM AND CAST ALUMINUM WALL BRACKET ASSEMBLY PROVIDED WITH BUILT IN GASKETED WIRE ACCESS FOR FIXTURE/SUPPLY WIRE CONNECTION.

WALL PLATE



E.P.A. & LAMP WATTAGE



LUM-PT E.P.A. = 1.36
LAMP SIZE: 100 - 400 WATT

PRECISE COMPUTER DESIGNED SEGMENTED SHARP CUTOFF OPTICS.

IMPACT RESISTANT TEMPERED GLASS LENS.

SOFT CORNER DESIGN HOUSING.

Spec/Order Example: LUM-PT/HR-IV/320PSMH277/PTA/RAL-9005-S

S P E C / O R D E R I N G I N F O R M A T I O N

MODEL	OPTICS	WATTAGE	TYPE	VOLTAGE	MOUNTING	FINISH	OPTIONS
MODEL	HORIZONTAL LAMP REFLECTORS	WATTAGE	TYPE	VOLTAGE	ARM MOUNT	STANDARD TEXTURED FINISH	
<input type="checkbox"/> LUM-PT2	<input type="checkbox"/> TYPE III HR-III <input type="checkbox"/> TYPE IV HR-IV (FORWARD THROW) <input type="checkbox"/> TYPE V-SQ HR-V-SQ ...	<input type="checkbox"/> 400 <input type="checkbox"/> 350 <input type="checkbox"/> 320 <input type="checkbox"/> 250 <input type="checkbox"/> 200 ¹ <input type="checkbox"/> 175 ¹ <input type="checkbox"/> 150 <input type="checkbox"/> 100	<input type="checkbox"/> PSMH <input type="checkbox"/> HPS	<input type="checkbox"/> 120 <input type="checkbox"/> 208 <input type="checkbox"/> 240 <input type="checkbox"/> 277 <input type="checkbox"/> 347 (CAN) <input type="checkbox"/> 480	 <input type="checkbox"/> PTA <input type="checkbox"/> PTB23 (TO FIT 2 3/8" O.D.) <input type="checkbox"/> PTB27 (TO FIT 2 7/8" O.D.) WALL MOUNT <input type="checkbox"/> WM	<input type="checkbox"/> BLACK RAL-9005-T <input type="checkbox"/> WHITE RAL-9003-T <input type="checkbox"/> GREY RAL-7004-T <input type="checkbox"/> DARK BRONZE RAL-8019-T <input type="checkbox"/> GREEN RAL-6005-T FOR SMOOTH FINISH REPLACE SUFFIX "T" WITH SUFFIX "S" (EXAMPLE: RAL-9005-S) SEE USALTG.COM FOR ADDITIONAL COLORS	<input type="checkbox"/> CLEAR POLYCARBONATE DIFFUSER LEX <input type="checkbox"/> HOUSE SIDE SHIELD HS <input type="checkbox"/> PHOTO CELL + VOLTAGE (EXAMPLE: PC120V) PC+V <input type="checkbox"/> TWIST LOCK PHOTO CELL+VOLTAGE (EXAMPLE TPC120V) TPC+V <input type="checkbox"/> TWIST LOCK RECEPTACLE ONLY. TPR <input type="checkbox"/> SINGLE FUSE (120V, 277V) SF <input type="checkbox"/> DOUBLE FUSE (208V, 240V, 480V) ... DF
		NOTES: 1 - POSITION SENSITIVE LAMP					CONSULT FACTORY FOR DIMMING APPLICATIONS
		CONSULT FACTORY FOR OTHER BALLAST CONFIGURATIONS AND LAMP OPTIONS					