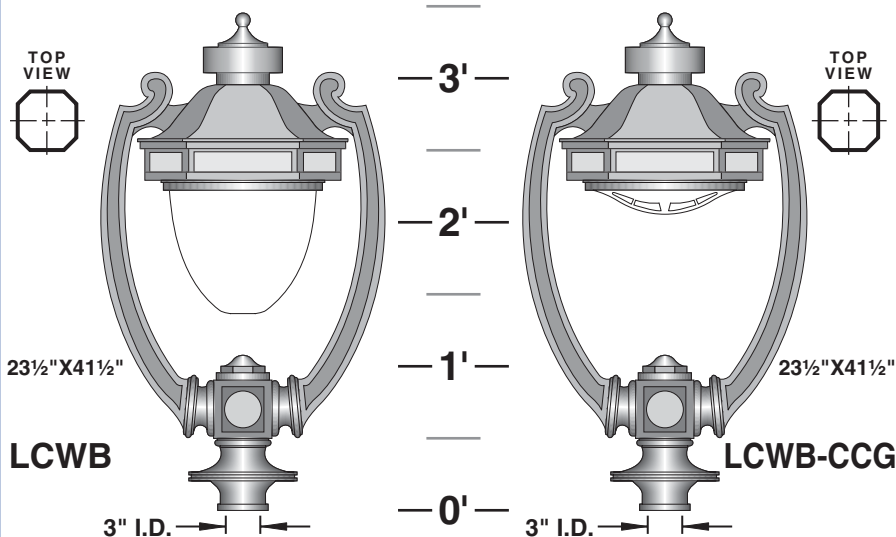


(SPECIFY AS SUFFIX TO LUMINAIRE NO.)

CAST ALUMINUM CONSTRUCTION. LUMINAIRE PROVIDED WITH ACRYLIC OR POLYCARBONATE DIFFUSER



23 1/2" X 41 1/2"

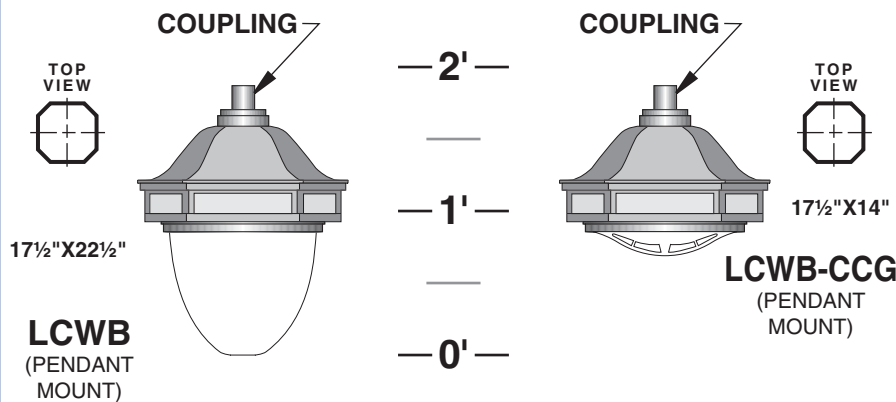
LCWB

3" I.D.

23 1/2" X 41 1/2"

LCWB-CCG

3" I.D.



17 1/2" X 22 1/2"

LCWB
(PENDANT MOUNT)

17 1/2" X 14"

LCWB-CCG
(PENDANT MOUNT)

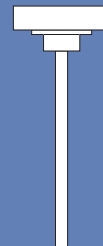
BALLASTS ARE H.P.F. / C.W.A. AUTOTRANSFORMER, -20° STARTING TEMPERATURE

METAL HALIDE	HIGH PRESSURE SODIUM	MERCURY VAPOR	FOR FLUOR. LAMPS CONSULT FACTORY
50W.	50W.	50W.	TO 200W.
70W.	70W.	75W.	
100W.	100W.	100W.	
175W.*	150W.*	175W.*	



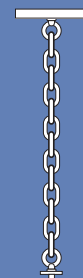
* AVAILABLE WITH HORIZONTAL REFLECTORS ONLY

3/4" IPS STEM MOUNT AND SWIVEL CANOPY (6'-0" MAX.)



SM

CHAIN MOUNTED (4'-0" MAX.)



CM

STANDARD DIFFUSER: CLEAR LINEAR PRISMATIC POLYCARBONATE DIFFUSER

OPTIONS:

- OPAL SMOOTH ACRYLIC.....WA
- CLEAR SMOOTH ACRYLIC.....CA
- OPAL SMOOTH POLYCARBONATEWP
- CLEAR SMOOTH POLYCARBONATECP
- CLEAR TEMPERED CONVEX GLASS LENS.....CCG

REFLECTOR OPTIONS

- TYPE III (HORIZONTAL LAMP).....HR-III
- TYPE III (VERTICAL LAMP).....VR-III
- TYPE V-SQ (HORIZONTAL LAMP)...HR-V-SQ
- TYPE V-SQ (VERTICAL LAMP).....VR-V-SQ

- HOUSE SIDE SHIELD 90°.....HS90°
- 135°.....HS135°
- 180°.....HS180°

PHOTO CELL + VOLTAGE (EXAMPLE: PC120V).....PC+V

SINGLE FUSE (120V., 277V.).....SF

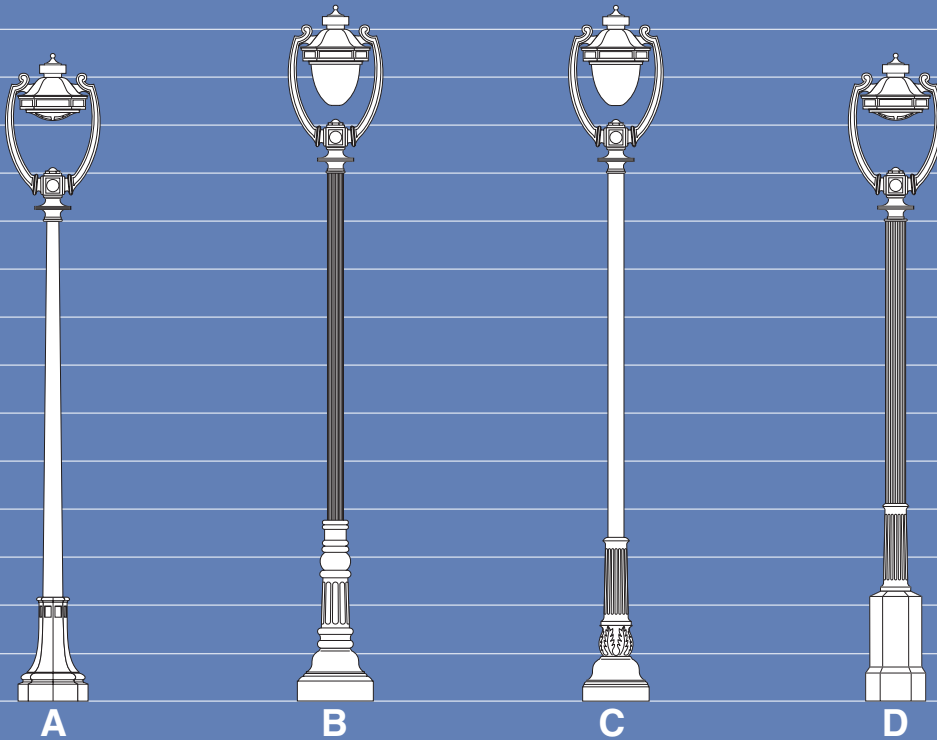
DOUBLE FUSE (208V., 240V., 480V.).....DF



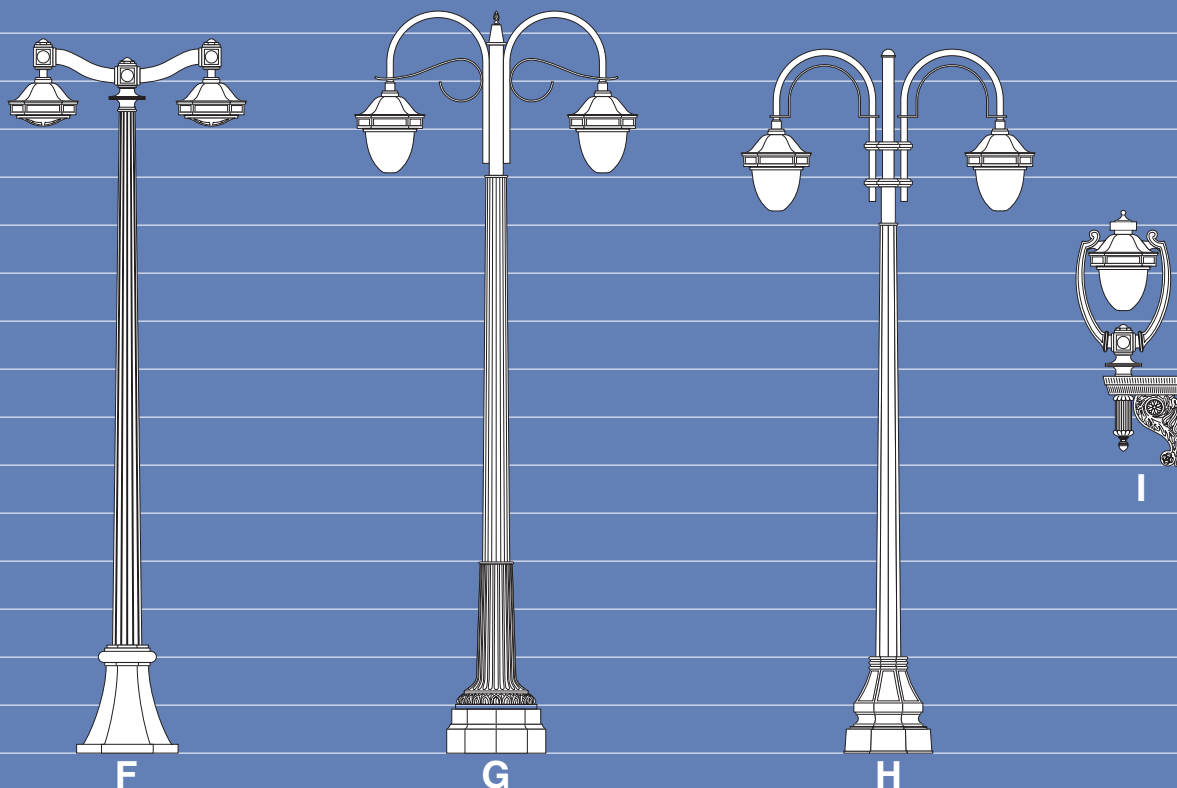
LCWB

SCALE: 1/4"=1'-0"

14
13
12
11
10
9
8
7
6
5
4
3
2
1
0



16
15
14
13
12
11
10
9
8
7
6
5
4
3
2
1
0



FT.

- A. 26-1035T-10/LCWB-CCG/PT/BALLAST/ACCESSORIES/FINISH
- B. 12-1060-11/LCWB/PT/BALLAST/ACCESSORIES/FINISH
- C. 5-1040-11/LCWB-CP/PT/BALLAST/ACCESSORIES/FINISH
- D. 16-1070-10/LCWB-CCG/PT/BALLAST/ACCESSORIES/FINISH
- E. LCWB-WA/SM/BALLAST/ACCESSORIES/FINISH

- F. 22-1050C-13'-6"/LCWB-CCG/XBE-2-180/BALLAST/ACCESSORIES/FINISH
- G. 29-1075C-12/LCWB-CP/XPD-2-180/BALLAST/ACCESSORIES/FINISH
- H. 46-1080C-11/LCWB-WP/XPE-2-180/BALLAST/ACCESSORIES/FINISH
- I. WS/LCWB-CA/XAR-WM/BALLAST/ACCESSORIES/FINISH