

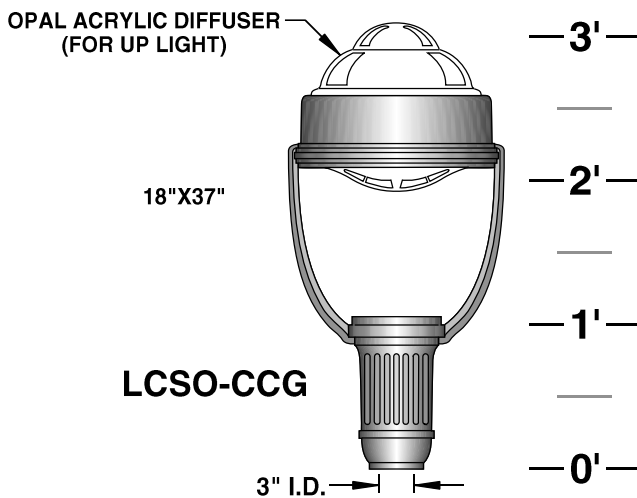
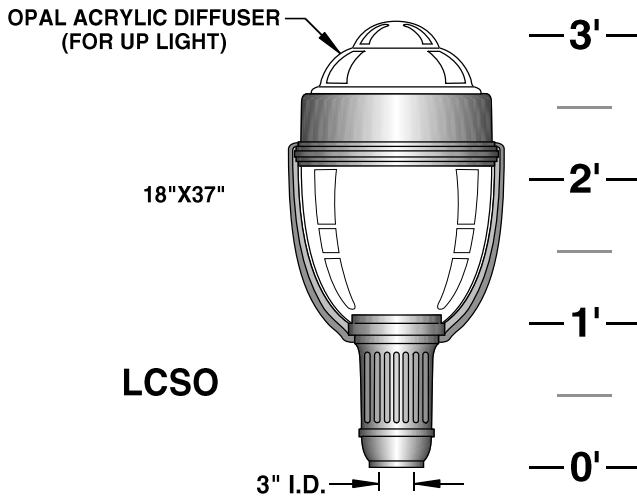


LUMINAIRE ACCESSORIES

(SPECIFY AS SUFFIX TO LUMINAIRE NO.)

LCSO

CAST ALUMINUM CONSTRUCTION. LUMINAIRE PROVIDED WITH ACRYLIC, POLYCARBONATE OR CLEAR LENS. LUMINAIRE FEATURES UP LIGHT



BALLASTS ARE H.P.F. / C.W.A. AUTOTRANSFORMER, -20° STARTING TEMPERATURE

METAL HALIDE	HIGH PRESSURE SODIUM	MERCURY VAPOR	FOR FLUOR. LAMPS CONSULT FACTORY
50W.	50W.	50W.	TO 200W.
70W.	70W.	75W.	
100W.	100W.	100W.	
175W.	150W.	175W.	

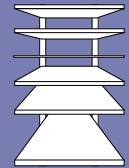


INTERNAL LOUVER



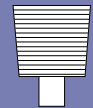
IL

WIDE ANGLE LOUVER SYSTEM



OPT

PRISMATIC GLASS REFRACTOR
TYPE III
TYPE V



PG-III
PG-V

GLASS CHIMNEY
CLEAR OR
3/4 FROSTED



GCC
GCF

STANDARD DIFFUSER:
OPAL SMOOTH ACRYLIC

OPTIONS:

- CLEAR SMOOTH ACRYLIC.....CA
- CLEAR TEXTURED ACRYLIC.....CT
- OPAL SMOOTH POLYCARBONATE.....WP
- CLEAR TEMPERED CONVEX GLASS LENS.....CCG
- CLEAR TEMPERED GLASS LENS.....CG

REFLECTOR OPTIONS

- TYPE III (HORIZONTAL LAMP).....HR-III
- TYPE V-SQ (HORIZONTAL LAMP)...HR-V-SQ

- HOUSE SIDE SHIELD 90°.....HS90°
- 135°.....HS135°
- 180°.....HS180°

PHOTO CELL + VOLTAGE
(EXAMPLE: PC120V).....PC+V

SINGLE FUSE (120V., 277V.).....SF

DOUBLE FUSE (208V., 240V., 480V.).....DF



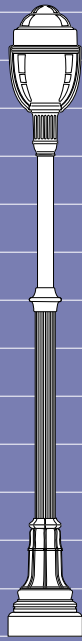
sun valley
LIGHTING

660 WEST AVENUE O, PALMDALE, CA 93551
(661) 233-2000
FAX (661) 233-2001
www.sunvalleylighting.com

14
13
12
11
10
9
8
7
6
5
4
3
2
1
0



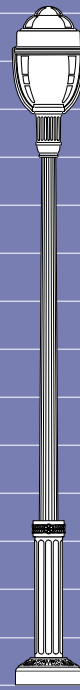
A



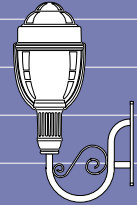
B



C

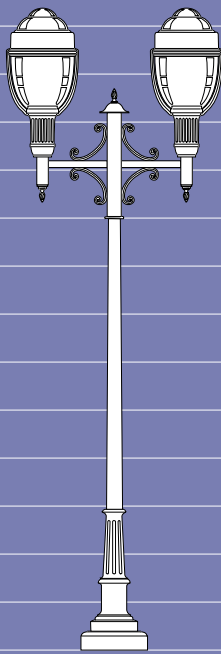


D

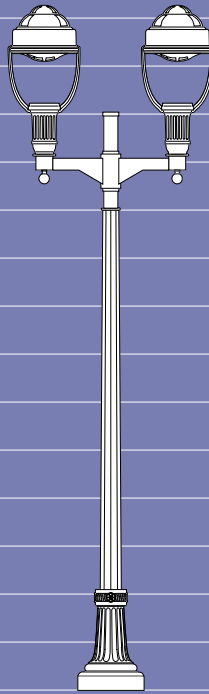


E

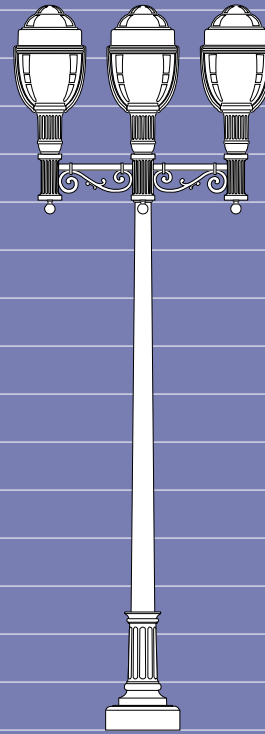
16
15
14
13
12
11
10
9
8
7
6
5
4
3
2
1
0



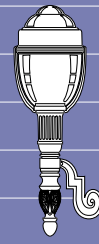
F



G



H



I

FT.

- A. 5-1060-11/LCSO-CG/PT/BALLAST/ACCESSORIES/FINISH
- B. 19-7040-10/LCSO-CA/PT/BALLAST/ACCESSORIES/FINISH
- C. 32-1040-11/LCSO-CT/PT/BALLAST/ACCESSORIES/FINISH
- D. 23-1030C-11/LCSO-WP/PT/BALLAST/ACCESSORIES/FINISH
- E. WS/LCSO/XBJ-WM/BALLAST/ACCESSORIES/FINISH

- F. 4-1030T-9/LCSO-WP/XAE-2-180/BALLAST/ACCESSORIES/FINISH
- G. 7-1058C-10/LCSO-CG/XBY-2-180/BALLAST/ACCESSORIES/FINISH
- H. 13-1046T-10'-6"/LCSO-CT/XAY-4-90/BALLAST/ACCESSORIES/FINISH
- I. WS/LCSO-CA/XAC-WM/BALLAST/ACCESSORIES/FINISH