

# SOLID STATE AREA LIGHTING

## GALAXY7 SERIES-LED

### S P E C I F I C A T I O N S

#### HOUSING

Heavy cast low copper aluminum assembly (A356 alloy, <0.2% copper). Minimum wall thickness is .188". Housing provided with six decorative, extruded aluminum arms and gasketed arm center. All exposed hardware is stainless steel. Internal protected hardware is electro-zinc plated.

#### LED OPTICAL MODULE

Low copper A356 alloy (<.2% copper) cast aluminum housing. Integrated clear tempered 3/16" glass lens sealed with a continuous silicone gasket protects emitters (LED's) and emitter Reflector-Prism optics, and seals the module from water intrusion and environmental contaminants. LED's are available in standard Neutral White (4000K), or optional Cool White (5000K) or Warm White (3000K). Each emitter is optically controlled by a Reflector-Prism injection molded from H12 acrylic (3 types per module; one from 0° - 50°; one from 50° - 65°; one from 65° - 72°). Each Reflector-Prism has indexing pins for aiming and is secured to an optical plate made of matte black anodized aluminum. The optical plate locates every Reflector-Prism over an emitter. Reflector-Prisms are secured to the optical plate with a UV curing adhesive. The Reflector-Prisms are arrayed to produce IES Type II, III, IV, and V-SQ distributions. The entire Optical Module is field rotatable in 90° increments. Both module and drivers are factory wired using water resistant, insulated cord. Lens, module and drivers are field replaceable.

#### LED EMITTERS

High Output LED's are driven at 350mA for nominal 1 Watt output each or 525mA for nominal 1.5 Watt output each. LED's are available in standard Neutral White (4000K), or optional Cool White (5000K) or Warm White (3000K). Consult Factory for other LED options.

#### LED DRIVER

UL and CUL recognized High Power Factor, Constant Current LED drivers operate on input voltages from 120-277VAC, 50/60hz. Consult Factory for 347-480VAC. Driver is mechanically fastened to a retaining bracket. Main power quick disconnect provided. Driver has a minimum 4KV of internal surge protection, 10KV & 20KV Surge Protector optional. Dimming and High-Low Driver options available.

#### FINISH

Electrostatically applied TGIC Polyester Powder Coat on substrate prepared with 20 PSI power wash at 140°F. Four step iron phosphate pretreatment for protection and paint adhesion. 400°F bake for maximum hardness and durability. Texture finish is standard.

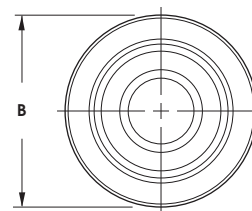
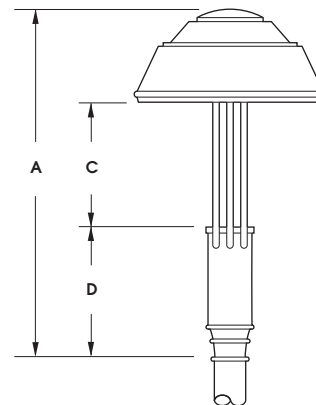
PROJECT NAME: \_\_\_\_\_

FIXTURE TYPE: \_\_\_\_\_



**GLX7**

PATENT PENDING



Fitter supplied to fit over 2 7/8" X 3"  
(73mm X 76mm) tennon.

FIXTURE	A	B	C	D
<b>GLX7</b>	44" 1118 mm	24" DIA. 610mm	18" 457mm	16" 406mm
<b>GLXM7</b>	36" 914mm	18.5" 470mm	14" 356mm	14" 356mm



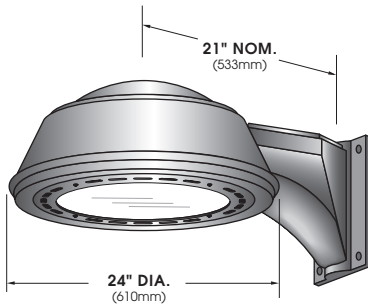
2018334



# GALAXY7 SERIES - LED

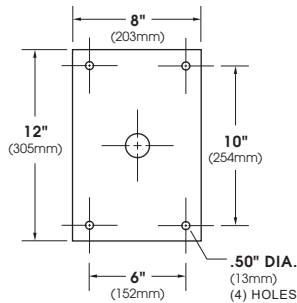
## SPECIFICATIONS

### WALL MOUNT

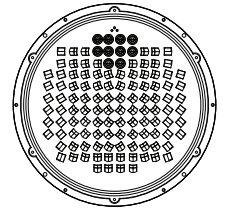
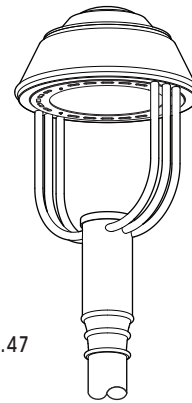


CORROSION RESISTANT CAST ALUMINUM ARM IS SUPPLIED WITH REMOVABLE CAST ALUMINUM TOP CAP FOR EASY ACCESS TO ELECTRICAL COMPONENTS.

### WALL PLATE

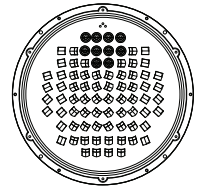
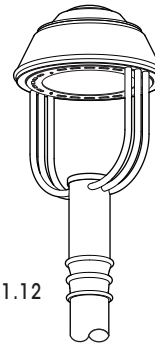


### VLED® MODULES



120 LED Module

**GLX7** E.P.A. = 1.47  
Available in:  
120, 80 & 64  
LED Module



80 LED Module

**GLXM7** E.P.A. = 1.12  
Available in:  
80, 64 & 48  
LED Module

### MAX INPUT WATTAGE

# OF LED's	DRIVE CURRENT 350mA	DRIVE CURRENT 525mA
120	131W	198W
100	110W	164W
80	91W	130W
64	70W	105W
48	53W	79W

## ORDERING INFORMATION

LUMINAIRE	OPTICS	# of LED's	DRIVE CURRENT	COLOR	VOLTAGE	MOUNTING	FINISH	OPTIONS
<b>LUMINAIRE</b>	<b>OPTICS</b>	<b>LED</b>		<b>MOUNTING</b>		<b>FINISH</b>		<b>OPTIONS</b>
<input type="checkbox"/> GLX7	<input type="checkbox"/> VLED - II (Type-II)	<input type="checkbox"/> GLX7	<input type="checkbox"/> 350mA	<input type="checkbox"/> NW (4000K) *STANDARD	<input type="checkbox"/> PT	<b>STANDARD TEXTURED FINISH</b>		<input type="checkbox"/> INTERNAL HOUSE SIDE SHIELDS... HS
<input type="checkbox"/> GLXM7	<input type="checkbox"/> VLED - III (Type-III)	<input type="checkbox"/> 120LED	<input type="checkbox"/> 525mA	<input type="checkbox"/> CW (5000K)	<b>WALL MOUNT</b>		<input type="checkbox"/> BLACK RAL-9005-T	<input type="checkbox"/> EXTERNAL HOUSE SIDE SHIELD... EHS
	<input type="checkbox"/> VLED - IV (Type-IV)	<input type="checkbox"/> 100LED		<input type="checkbox"/> WW (3000K)	<input type="checkbox"/> WM	<input type="checkbox"/> WHITE RAL-9003-T	<input type="checkbox"/> GREY RAL-7004-T	<input type="checkbox"/> DIMMABLE DRIVER(S) (0-10V)... DIM
	<input type="checkbox"/> VLED - VSQ (Type-VSQ)	<input type="checkbox"/> 80LED		OTHER LED COLORS AVAILABLE CONSULT FACTORY		<input type="checkbox"/> DARK BRONZE RAL-8019-T	<input type="checkbox"/> GREEN RAL-6005-T	<input type="checkbox"/> HIGH-LOW DIMMING FOR HARDWIRED SWITCHING OR NON-INTEGRATED MOTION SENSOR... HLSW
		<input type="checkbox"/> 64LED		<b>VOLTAGE</b>		FOR SMOOTH FINISH REPLACE SUFFIX "T" WITH SUFFIX "S" (EXAMPLE: RAL-9500)		<input type="checkbox"/> PHOTO CELL + VOLTAGE (EXAMPLE: PC120V)... PC+V
		<b>GLXM7</b>		<input type="checkbox"/> 120		SEE USALTG.COM FOR ADDITIONAL COLORS		<input type="checkbox"/> TWIST LOCK PHOTOCELL RECEPTACLE ONLY... TPR
		<input type="checkbox"/> 80LED		<input type="checkbox"/> 208				<input type="checkbox"/> 10KV SURGE PROTECTOR... 10SP
		<input type="checkbox"/> 64LED		<input type="checkbox"/> 240				<input type="checkbox"/> 20KV SURGE PROTECTOR (277V & 480V Only)... 20SP
		<input type="checkbox"/> 48LED		<input type="checkbox"/> 277				
				<input type="checkbox"/> 347				
				<input type="checkbox"/> 480				

