

# GALAXY 100

## S P E C I F I C A T I O N

### HOUSING

Durable corrosion resistant, aluminum construction.

### LENS ASSEMBLY

One piece die formed aluminum door frame surrounds lens.  
 Lens is sealed to door frame with high temperature silicon sealant.  
 Captive thumbscrew disengages door assembly from housing.  
 Accuhinge™ allows door to hinge away from housing for access to reflector without the use of tools.  
 Three lens styles available, (see following page).

### OPTICS

Computer designed, specular segmented reflectors produce an extremely efficient sharp cutoff light distribution when using horizontal lamp reflectors, or a wide angle light distribution when using vertical lamp reflectors. Seven light distribution types are available. See Ordering page.

### GASKETING

Closed-cell EPDM gasketing compresses between door frame and housing. Gasket works in combination with Accuhinge™ to pressure seal the optical chamber and prevent entry of contaminants and moisture.

### LAMPHOLDER

GLX - Mogul base porcelain  
 GXLM - Medium base porcelain

### LAMP

GLX - 400W Max. ED-28 or equal. (Lamp by others)  
 GXLM - 175W Max. ED-17 or equal. (Lamp by others)

### BALLAST

H.P.F./C.W.A. Autotransformer, -20° starting temperature.

### ARM

Heavy wall extruded aluminum construction.

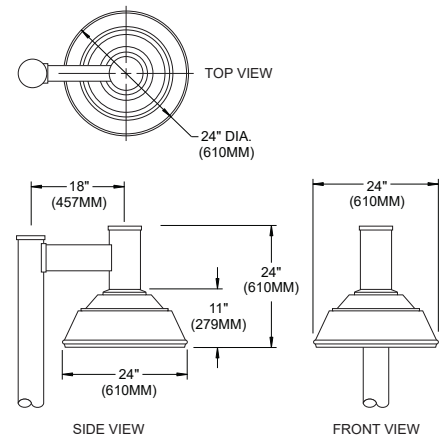
### FINISH

Polyester powdercoat incorporates a four step iron phosphate process to pre-treat metal surface for maximum paint adhesion. Top coat is baked to 400 degrees for maximum hardness and exterior durability.

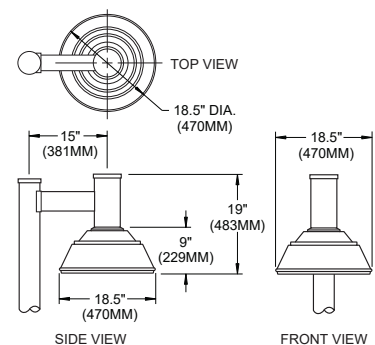


GLXM-111 (with Tempered Glass Lens)

### GLX-100



### GLXM-100

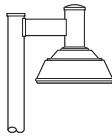


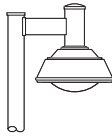
**LPC** Light Pollution Control Luminaire  
 0% Uplight, Full Cut-off using flat glass and no uplight option.

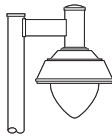
# GALAXY 100

## DESIGN OPTIONS

### GLX-100

- 

GLX-111  
Pyramid Top  
Tempered Glass Lens  
Horizontal Lamp  
400 Watt Max Lamp  
E.P.A. = 1.63
- 

GLX-112  
Pyramid Top  
Convex Glass Lens  
Horizontal or Vertical Lamp  
400 Watt Max Lamp  
E.P.A. = 1.76
- 

GLX-114  
Pyramid Top  
Teardrop Acrylic Lens  
Horizontal or Vertical Lamp  
250 Watt Max Lamp  
E.P.A. = 2.13
- 

GLX-121  
Dome Top  
Tempered Glass Lens  
Horizontal Lamp  
400 Watt Max Lamp  
E.P.A. = 1.53
- 

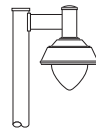
GLX-122  
Dome Top  
Convex Glass Lens  
Horizontal or Vertical Lamp  
400 Watt Max Lamp  
E.P.A. = 1.66
- 

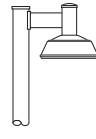
GLX-124  
Dome Top  
Teardrop Acrylic Lens  
Horizontal or Vertical Lamp  
250 Watt Max Lamp  
E.P.A. = 2.03

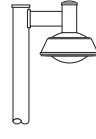
### GLXM-100

- 

GLXM-111  
Pyramid Top  
Tempered Glass Lens  
Horizontal Lamp  
175 Watt Max Lamp  
E.P.A. = 1.34
- 

GLXM-112  
Pyramid Top  
Convex Glass Lens  
Horizontal or Vertical Lamp  
175 Watt Max Lamp  
E.P.A. = 1.42
- 

GLXM-114  
Pyramid Top  
Teardrop Acrylic Lens  
Horizontal or Vertical Lamp  
175 Watt Max Lamp  
E.P.A. = 1.60
- 





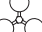

GLXM-121  
Dome Top  
Tempered Glass Lens  
Horizontal Lamp  
175 Watt Max Lamp  
E.P.A. = 1.31
- 

GLXM-122  
Dome Top  
Convex Glass Lens  
Horizontal or Vertical Lamp  
175 Watt Max Lamp  
E.P.A. = 1.39
- 

GLXM-124  
Dome Top  
Teardrop Acrylic Lens  
Horizontal or Vertical Lamp  
175 Watt Max Lamp  
E.P.A. = 1.47

## MOUNTING INFORMATION

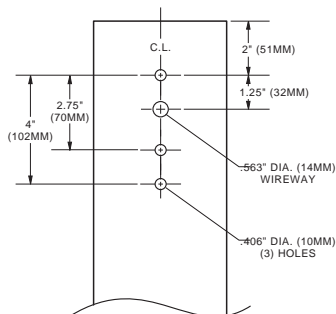
#### ARM MOUNT

- 1 ..... 
- 2-180 ..... 
- 2-90 ..... 
- 3-90 ..... 
- 3-120 ..... 
- 4-90 ..... 

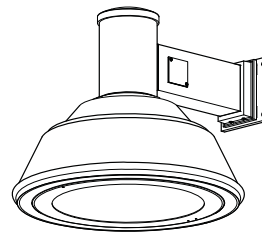
#### WALL MOUNT

- WM ..... 

#### POLE MOUNT TEMPLATE

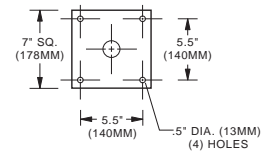


#### WALL MOUNT



Extruded aluminum arm and cast aluminum wall bracket assembly. Provided with built-in gasketed wire access for fixture/supply connection.

#### WALL MOUNT PLATE DETAIL



FOR ORDERING INFORMATION SEE PAGE 3.

## O R D E R I N G I N F O R M A T I O N

MODEL NO. : <b>GLX</b>	OPTICS	WATTAGE TYPE VOLTAGE	MOUNTING	FINISH	OPTIONS
MODEL NO. : <b>GLX</b>	<b>OPTICS</b>	<b>LAMP</b>	<b>MOUNTING</b>	<b>FINISH</b>	<b>OPTIONS</b>
<p><b>G L X</b></p> <p>or</p> <p><b>G L X M</b></p> <p>SEE SPECIFIC GALAXY STYLE FOR DESIGN OPTIONS</p>	<p><b>HORIZONTAL LAMP REFLECTORS</b></p> <p><input type="checkbox"/> TYPE II <b>HR-II</b> . . . . . </p> <p><input type="checkbox"/> TYPE III <b>HR-III</b> . . . . . </p> <p><input type="checkbox"/> TYPE IV <b>HR-IV</b> . . . . . </p> <p><input type="checkbox"/> TYPE V <b>HR-V-SQ</b> . . . . . </p> <p><input type="checkbox"/> TYPE FT (REAR CUT-OFF) <b>HR-V-SQ</b> . . . . . </p> <p><b>VERTICAL LAMP REFLECTORS</b></p> <p><input type="checkbox"/> ASYMMETRIC <b>ASY</b> . . . . . </p> <p><input type="checkbox"/> TYPE V <b>VR-V-SQ</b> . . . . . </p>	<p><b>WATTAGE/TYPE VOLT.</b></p> <p><input type="checkbox"/> 400 MH      <input type="checkbox"/> 120  <input type="checkbox"/> 250 MH      <input type="checkbox"/> 208  <input type="checkbox"/> 175 MH      <input type="checkbox"/> 240  <input type="checkbox"/> 150 MH      <input type="checkbox"/> 277  <input type="checkbox"/> 100 MH      <input type="checkbox"/> 480  <input type="checkbox"/> 70 MH        <input type="checkbox"/> MT  <input type="checkbox"/> 50 MH</p> <p><input type="checkbox"/> 400 PSMH  <input type="checkbox"/> 350 PSMH  <input type="checkbox"/> 320 PSMH  <input type="checkbox"/> 250 PSMH  <input type="checkbox"/> 200 PSMH*  <input type="checkbox"/> 175 PSMH*  <input type="checkbox"/> 150 PSMH  <input type="checkbox"/> 100 PSMH  <input type="checkbox"/> 70 PSMH  <input type="checkbox"/> 50 PSMH</p> <p><input type="checkbox"/> 400 HPS  <input type="checkbox"/> 250 HPS  <input type="checkbox"/> 200 HPS  <input type="checkbox"/> 150 HPS  <input type="checkbox"/> 100 HPS  <input type="checkbox"/> 70 HPS  <input type="checkbox"/> 50 HPS</p> <p><small>GALAXY MOGUL BASE LAMP ED-28 OR EQUAL</small></p> <p><small>GALAXY-M MEDIUM BASE LAMP ED-17 OR EQUAL</small></p> <p><small>*AVAILABLE WITH VERTICAL REFLECTORS ONLY</small></p>	<p>SEE SPECIFIC GALAXY MOUNTING INFORMATION PAGE FOR OPTIONS</p>	<p><b>STANDARD TEXTURED FINISH</b></p> <p><input type="checkbox"/> BLACK <b>RAL-9005-T</b></p> <p><input type="checkbox"/> WHITE <b>RAL-9003-T</b></p> <p><input type="checkbox"/> GREY <b>RAL-7004-T</b></p> <p><input type="checkbox"/> DARK BRONZE <b>RAL-8019-T</b></p> <p><input type="checkbox"/> GREEN <b>RAL-6005-T</b></p> <p><small>FOR SMOOTH FINISH REMOVE SUFFIX "T" (EXAMPLE: RAL-9500)</small></p> <p><small>SEE WEBSITE FOR ADDITIONAL COLORS</small></p>	<p><input type="checkbox"/> HOUSE SIDE SHIELD . . . . . <b>HS</b></p> <p><input type="checkbox"/> PHOTO CELL + VOLTAGE (EXAMPLE: PC120V) . . . <b>PC+V</b></p> <p><input type="checkbox"/> SINGLE FUSE (120V., 277V) . . . . . <b>SF</b></p> <p><input type="checkbox"/> DOUBLE FUSE (208V., 240V) . . . . . <b>DF</b></p> <p><input type="checkbox"/> QUARTZ RESTRIKE . . . . . <b>QTZ</b></p>

## E X A M P L E

MODEL NO. : <b>GLXM-312</b>	OPTICS <b>HR-V-SQ</b>	WATTAGE TYPE VOLTAGE <b>175 MH 277</b>	MOUNTING <b>2-180</b>	FINISH <b>DBZ</b>	OPTIONS <b>HS/SF</b>
--------------------------------	--------------------------	---	--------------------------	----------------------	-------------------------