

H.I.D AREA LIGHTING

B800 SERIES-HID

S P E C I F I C A T I O N S

HOUSING and RISER

Durable, corrosion resistant cast aluminum (A356 alloy; < 0.2% Cu) base, riser and top cap, minimum .250" wall thickness. All visible welds are blended, all exposed hardware is stainless steel.

INTERNAL LOUVER (IL)

A specular louver stack conceals the inner lamp and provides upright and glare control through the external clear injection molded acrylic lens.

OPAL LENS (WA)

Injection molded opal acrylic lens protects the internal lamp and provides uniform, diffuse illumination.

PRISMATIC GLASS REFRACTOR (PG)

Clear acrylic lens surrounds a prismatic glass refractor (Type III and Type V).

CAST LOUVER (CL)

Cast aluminum (A356 alloy, <0.2%Cu) louver stack protects the internal lamp module (with diffuse glass enclosure). Horizontal louvers create a 30° cut-off angle and provide 360° of downlight.

ELECTRICAL MODULE

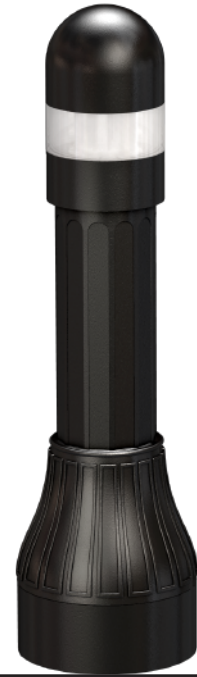
All electrical components are UL and cUL recognized are mounted on a single plate and factory prewired with quick-disconnect plugs. All HID lamps are medium base (E26) or Bi-pin Base (G12). Electronic MH ballasts have a power factor of >.95 (35/39W - 100W) -20°F starting, 120-277V and have lamp End-of-life protection. 347V option utilizes a step down transformer to the electronic ballast. Magnetic MH ballasts are high power factor (35/39W - 100W), -20°F starting, multi-tap 120-277V, 60Hz. All HPS ballasts are core and coil, high-reactance, high power factor (35/39W - 100W), -40°F starting. Electronic CFL ballasts are high power factor 120 - 277 voltage sensing. GX24-q4 socket supplied for all 18w - 42w triple tube lamps.

FINISH

Electrostatically applied TGIC Polyester Powder Coat on substrate prepared with 20 PSI power wash at 140°F. Four step media blast and iron phosphate pretreatment for protection and paint adhesion. 400°F bake for maximum hardness and durability.

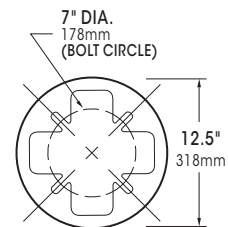
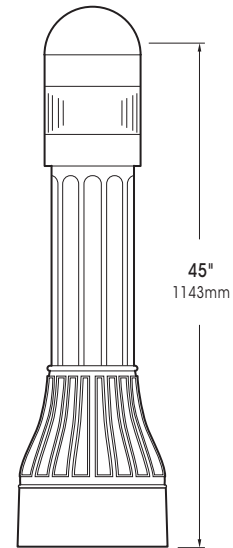
PROJECT NAME: _____

PROJECT TYPE: _____



B8EL-CAP

PATENT PENDING

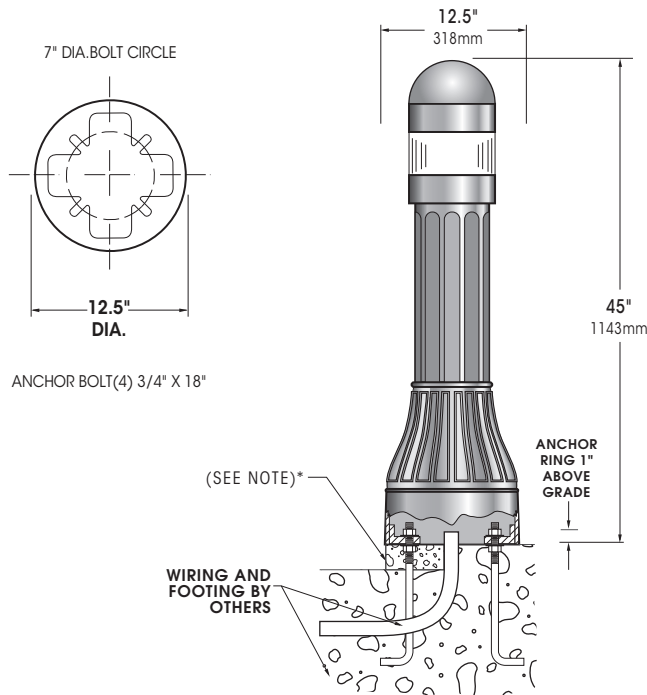


2014246

B800 SERIES-HID

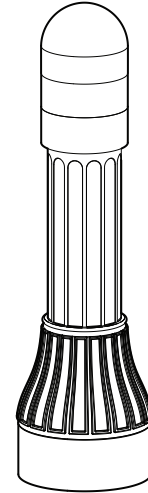
S P E C I F I C A T I O N S

GROUND MOUNTING



*When mounting in soil, anchor bolt fasteners and other hardware must be protected from soil by grouting.

LAMP WATTAGE



B8EL-CAP
LAMP SIZE: 35-100WATT

Spec/Order Example: B8EL-CAP/IL/70PSMH120/RAL-7004-T/DIM

L I G H T E D S P E C / O R D E R I N G I N F O R M A T I O N

MODEL	OPTICS	WATTAGE	TYPE	VOLTAGE	FINISH	OPTIONS
MODEL	OPTICS	LAMP			FINISH	OPTIONS
LIGHTED		WATTAGE	TYPE	VOLTAGE	STANDARD TEXTURED FINISH	
<input type="checkbox"/> B8EL-CAP	<input type="checkbox"/> INTERNAL LOUVER IL <input type="checkbox"/> CAST LOUVER CL <input type="checkbox"/> PRSMATIC GLASS TYP-V PG-V <input type="checkbox"/> PRSMATIC GLASS TYP-III PG-III <input type="checkbox"/> OPAL ACRYLIC WA	<input type="checkbox"/> 100 <input type="checkbox"/> 70T ¹ <input type="checkbox"/> 70 <input type="checkbox"/> 50T ¹ <input type="checkbox"/> 50 <input type="checkbox"/> 42CFL ² <input type="checkbox"/> 35HPS	<input type="checkbox"/> PSMH <input type="checkbox"/> HPS	<input type="checkbox"/> 120 <input type="checkbox"/> 208 ³ <input type="checkbox"/> 240 <input type="checkbox"/> 277 <input type="checkbox"/> 347 ⁴ <input type="checkbox"/> 480	<input type="checkbox"/> BLACK RAL-9005-T <input type="checkbox"/> WHITE RAL-9003-T <input type="checkbox"/> GREY RAL-7004-T <input type="checkbox"/> DARK BRONZE RAL-8019-T <input type="checkbox"/> GREEN RAL-6005-T	INTERNAL HOUSE SIDE SHIELD <input type="checkbox"/> 90° HS90 <input type="checkbox"/> 135° HS135 <input type="checkbox"/> 180° HS180 <input type="checkbox"/> DIMMABLE DRIVER(S) (0-10V) DIM <input type="checkbox"/> HIGH-LOW DIMMING FOR HARDWIRED SWITCHING OR NON-INTEGRATED MOTION SENSOR HLSW <input type="checkbox"/> 10KV SURGE PROTECTOR 10SP <input type="checkbox"/> 20KV SURGE PROTECTOR (240V & 480V Only) ... 20SP <input type="checkbox"/> DUPLEX RECEPTACLE ... DUP <input type="checkbox"/> GROUND FAULT RECEPTACLE GFI <input type="checkbox"/> MAILBOX - SINGLE MBS <input type="checkbox"/> MAILBOX - DOUBLE MBD <input type="checkbox"/> BOLLARD EYE BOLT ... BEB
		NOTES: 1 - TUBULAR LAMP, G12 BASE 2 - GX24q-4 BASE SUITABLE FOR 3 - N/A FOR 35HPS ANFD 50HPS TUBE LAMPS 42 WATT TRIPLE 18 THRU 4 - N/A FOR 35HPS				
		FOR SMOOTH FINISH REPLACE SUFFIX "T" WITH SUFFIX "S" (EXAMPLE: RAL-9500-S) SEE USALTG.COM FOR ADDITIONAL COLORS				

B800 SERIES-HID

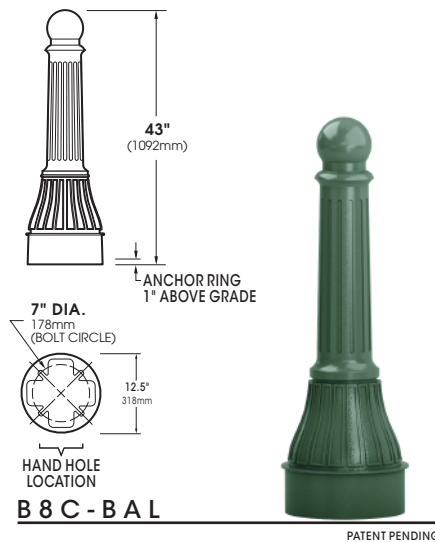
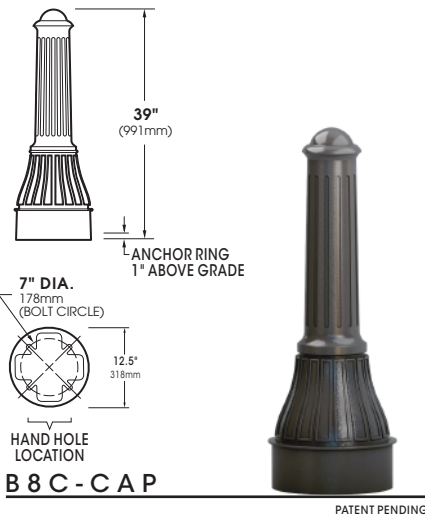
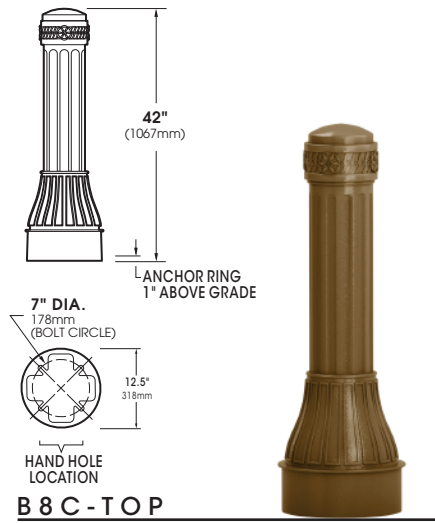
S P E C I F I C A T I O N S

HOUSING and RISER

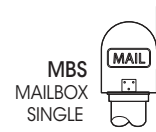
Durable, corrosion resistant cast aluminum (A356 alloy; < 0.2% Cu) base, riser and top cap, minimum .250" wall thickness. All visible welds are blended, all exposed hardware is stainless steel.

FINISH

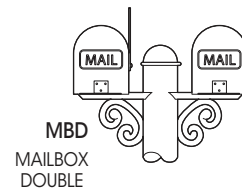
Electrostatically applied TGIC Polyester Powder Coat on substrate prepared with 20 PSI power wash at 140°F. Four step media blast and iron phosphate pretreatment for protection and paint adhesion. 400°F bake for maximum hardness and durability.



ACCESSORIES

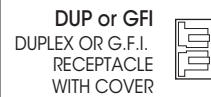


Mailboxes may be mounted post top or side mount.



Mailboxes are of durable, corrosion resistant, cast aluminum (A356 alloy; < .02% copper) and painted to match the decorative bollard.

Mailboxes include nonlocking pull latch and cast flag.



Specify Duplex or GFCI receptacle to mount in the outlet provision. Standard cover supplied.



Eyebolts for barrier chain or cord. Specify eyebolt(s) height and location.

Unlit Example: B8C-CAP/RAL-9005-S/BEB

UN-LIGHTED SPEC/ORDERING INFORMATION

MODEL	FINISH	ACCESSORIES
<p>MODEL</p> <p>UN-LIGHTED</p> <p><input type="checkbox"/> B8C-TOP</p> <p><input type="checkbox"/> B8C-CAP</p> <p><input type="checkbox"/> B8C-BAL</p> <p>TO CONFIGURE, SHOW MODEL, FINISH AND ANY PERTINENT ACCESSORIES</p>	<p>FINISH</p> <p>STANDARD TEXTURED FINISH</p> <p><input type="checkbox"/> BLACK RAL-9005-T</p> <p><input type="checkbox"/> WHITE RAL-9003-T</p> <p><input type="checkbox"/> GREY RAL-7004-T</p> <p><input type="checkbox"/> DARK BRONZE RAL-8019-T</p> <p><input type="checkbox"/> GREEN RAL-6005-T</p> <p>FOR SMOOTH FINISH REPLACE SUFFIX "T" WITH SUFFIX "S" (EXAMPLE: RAL-9500-S)</p> <p>SEE USALTG.COM FOR ADDITIONAL COLORS</p>	<p>ACCESSORIES</p> <p><input type="checkbox"/> MAILBOX - SINGLE MBS</p> <p><input type="checkbox"/> MAILBOX-DOUBLE MBD</p> <p><input type="checkbox"/> DUPLEX RECEPTACLE DUP</p> <p><input type="checkbox"/> GROUND FAULT RECEPTACLE GFI</p> <p>BOLLARD EYE BOLT</p> <p><input type="checkbox"/> SINGLE BEB</p> <p><input type="checkbox"/> DOUBLE BEB/2-180</p>