

SOLID STATE AREA LIGHTING

B3300 SERIES-LED

SPECIFICATIONS

HOUSING and RISER

Durable, corrosion resistant cast aluminum (A356 alloy; < 0.2% Cu) base, riser and top cap, minimum .250" wall thickness. All visible welds are blended, all exposed hardware is stainless steel.

LED POWER ARRAY

Three-dimensional array consisting of 6 individual LED tubes fastened to a retaining plate equally spaced to provide 360° of even illumination output. Each LED tube consists of a circuit board populated with a multiple of LED's which is fastened to a radial aluminum heat sink. A white polycarbonate lens and end caps protect each LED tube's internal components and provides diffusion to prevent shadowing and striations.

INTERNAL LOUVER (IL)

A specular louver stack conceals the LED Power Array (with opal diffuse lens) module and provides uplight and glare control through the external clear injection molded polycarbonate lens.

OPAL LENS (WP)

Injection molded opal polycarbonate lens protects the LED Power Array Module (with opal diffuse lenses) and provides uniform illumination.

LED DRIVER

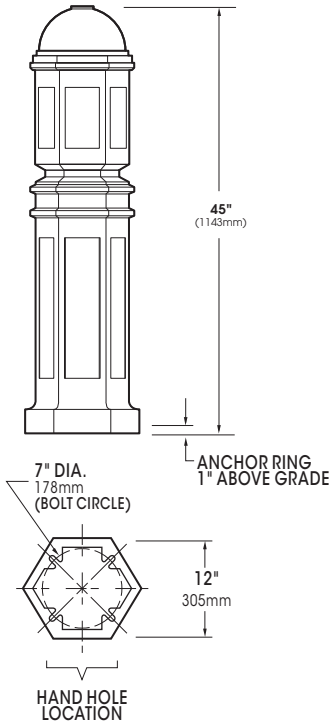
UL and cUL recognized High Power Factor, Constant Current LED drivers operate on input voltages from 120-277VAC, 50/60hz and is mechanically fastened to a retaining bracket. 347V and 480V options may utilize a step down transformer to the LED driver. Main power quick disconnect provided. Driver has a minimum 4KV of internal surge protection. Consult factory for other voltages. Dimming and High-Low Driver options available. 10KV & 20KV Surge Protector optional.

FINISH

Electrostatically applied TGIC Polyester Powder Coat on substrate prepared with 20 PSI power wash at 140°F. Four step media blast and iron phosphate pretreatment for protection and paint adhesion. 400°F bake for maximum hardness and durability.

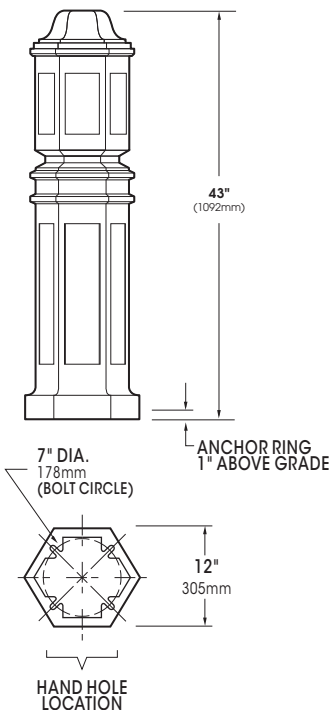
PROJECT NAME: _____

PROJECT TYPE: _____



B33CL-CAP

PATENT PENDING



B33CL-HCAP

PATENT PENDING

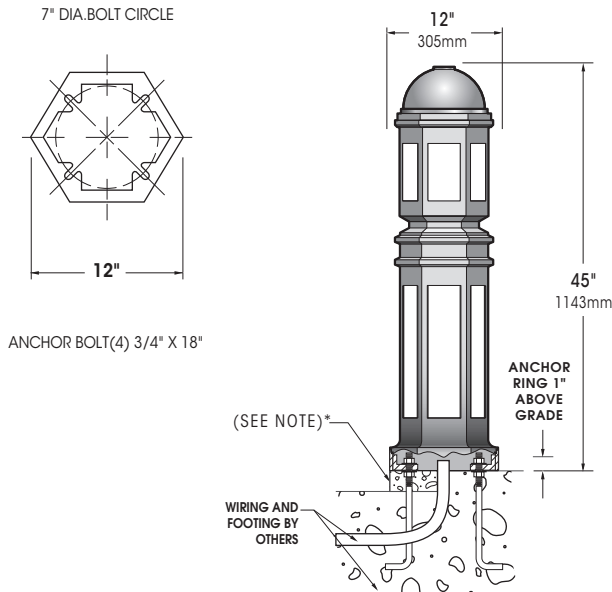


2014182

B3300 SERIES-LED

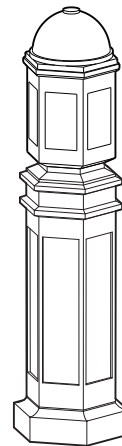
S P E C I F I C A T I O N S

GROUND MOUNTING



*When mounting in soil, anchor bolt fasteners and other hardware must be protected from soil by grouting.

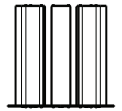
LED MODULE



B33CL-CAP-LED
VERTICAL POWER ARRAY™
Available in:
36 LED, 24 LED & 12 LED



B33CL-HCAP-LED
VERTICAL POWER ARRAY™
Available in:
36 LED, 24 LED & 12 LED



VPA - Vertical Array

Spec/Order Example: B33CL-CAP-WP-IL/24LEDWW208/RAL-8019-S/MBD

L I G H T E D S P E C / O R D E R I N G I N F O R M A T I O N

| MODEL | OPTICS | # of LED's | COLOR TEMP - CCT | VOLTAGE | FINISH | OPTIONS |
|---|--|--|---|--|---|---|
| MODEL | OPTICS | LED | | | FINISH | OPTIONS |
| LIGHTED | VERTICAL POWER ARRAY | # of LEDs | COLOR TEMP - CCT | VOLTAGE | STANDARD TEXTURED FINISH | |
| <input type="checkbox"/> B33CL-CAP-CP <input type="checkbox"/> B33CL-CAP-WP <input type="checkbox"/> B33CL-CAP-CPA <input type="checkbox"/> B33CL-HCAP-CP <input type="checkbox"/> B33CL-HCAP-WP <input type="checkbox"/> B33CL-HCAP-CPA | <input type="checkbox"/> INTERNAL LOUVER IL ¹ <input type="checkbox"/> VERTICAL ARRAY VPA-SYM ² | <input type="checkbox"/> 36LED (42 Watts) <input type="checkbox"/> 24LED (28 Watts) <input type="checkbox"/> 12LED (14 Watts) WATTS ARE MAX INPUT WATTS | <input type="checkbox"/> NW (4000K) Standard <input type="checkbox"/> CW (5000K) <input type="checkbox"/> WW (3000K) OTHER LED COLORS AVAILABLE CONSULT FACTORY | <input type="checkbox"/> 120 <input type="checkbox"/> 208 <input type="checkbox"/> 240 <input type="checkbox"/> 277 <input type="checkbox"/> 347 <input type="checkbox"/> 480 | <input type="checkbox"/> BLACK RAL-9005-T <input type="checkbox"/> WHITE RAL-9003-T <input type="checkbox"/> GREY RAL-7004-T <input type="checkbox"/> DARK BRONZE RAL-8019-T <input type="checkbox"/> GREEN RAL-6005-T FOR SMOOTH FINISH REPLACE SUFFIX "T" WITH SUFFIX "S" (EXAMPLE: RAL-9500-S) SEE USALTG.COM FOR ADDITIONAL COLORS | INTERNAL HOUSE SIDE SHIELD <input type="checkbox"/> 90° HS90 <input type="checkbox"/> 135° HS135 <input type="checkbox"/> 180° HS180 <input type="checkbox"/> DIMMABLE DRIVER(S) (0-10V) DIM <input type="checkbox"/> HIGH-LOW DIMMING FOR HARDWIRED SWITCHING OR NON-INTEGRATED MOTION SENSOR HLSW <input type="checkbox"/> 10KV SURGE PROTECTOR 10SP <input type="checkbox"/> 20KV SURGE PROTECTOR (240V & 480V Only) 20SP <input type="checkbox"/> DUPLEX RECEPTACLE ... DUP <input type="checkbox"/> GROUND FAULT RECEPTACLE GFI <input type="checkbox"/> MAILBOX - SINGLE MBS <input type="checkbox"/> MAILBOX - DOUBLE MBD <input type="checkbox"/> BOLLARD EYE BOLT BEB |
| <p>NOTES: 1- USED WITH -CP AND -CPA LENSES ONLY 2- USED WITH -WP ONLY LENS ONLY</p> | | | | | | |

B3300 SERIES-LED

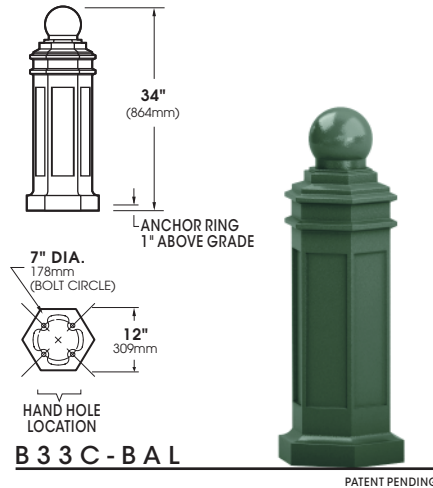
S P E C I F I C A T I O N S

HOUSING and RISER

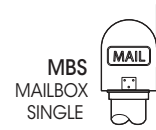
Durable, corrosion resistant cast aluminum (A356 alloy; < 0.2% Cu) base, riser and top cap, minimum .250" wall thickness. All visible welds are blended, all exposed hardware is stainless steel.

FINISH

Electrostatically applied TGIC Polyester Powder Coat on substrate prepared with 20 PSI power wash at 140°F. Four step media blast and iron phosphate pretreatment for protection and paint adhesion. 400°F bake for maximum hardness and durability.

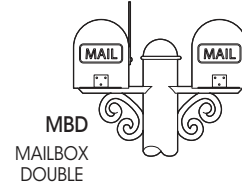


ACCESSORIES



MBS
MAILBOX
SINGLE

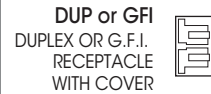
Mailboxes may be mounted post top or side mount.



MBD
MAILBOX
DOUBLE

Mailboxes are of durable, corrosion resistant, cast aluminum (A356 alloy; < .02% copper) and painted to match the decorative bollard.

Mailboxes include nonlocking pull latch and cast flag.



DUP or GFI
DUPLX OR G.F.I.
RECEPTACLE
WITH COVER

Specify Duplex or GFCI receptacle to mount in the outlet provision. Standard cover supplied.



BEB
BOLLARD
EYE BOLT

Eyebolts for barrier chain or cord. Specify eyebolt(s) height and location.

Unlit Example: B33C-CAP/RAL-9005-S

U N L I G H T E D S P E C / O R D E R I N G I N F O R M A T I O N

| MODEL | FINISH | ACCESSORIES |
|--|--|---|
| <p>MODEL</p> <p>UN-LIGHTED</p> <p><input type="checkbox"/> B33C-BAL</p> <p>TO CONFIGURE, SHOW MODEL, FINISH AND ANY PERTINENT ACCESSORIES</p> | <p>FINISH</p> <p>STANDARD TEXTURED FINISH</p> <p><input type="checkbox"/> BLACK RAL-9005-T</p> <p><input type="checkbox"/> WHITE RAL-9003-T</p> <p><input type="checkbox"/> GREY RAL-7004-T</p> <p><input type="checkbox"/> DARK BRONZE RAL-8019-T</p> <p><input type="checkbox"/> GREEN RAL-6005-T</p> <p>FOR SMOOTH FINISH REPLACE SUFFIX "T" WITH SUFFIX "S" (EXAMPLE: RAL-9500-S)</p> <p>SEE USALTG.COM FOR ADDITIONAL COLORS</p> | <p>ACCESSORIES</p> <p><input type="checkbox"/> MAILBOX - SINGLE MBS</p> <p><input type="checkbox"/> MAILBOX-DOUBLE MBD</p> <p><input type="checkbox"/> DUPLEX RECEPTACLE DUP</p> <p><input type="checkbox"/> GROUND FAULT RECEPTACLE GFI</p> <p>BOLLARD EYE BOLT</p> <p><input type="checkbox"/> SINGLE BEB</p> <p><input type="checkbox"/> DOUBLE BEB/2-180</p> |