

# 4400

## DIRECT BURIAL FIXTURE

### SPECIFICATIONS

**FIXTURE:** **ALUMINUM PRODUCT**-CONSTRUCTED OF PRIMARY 356 CAST ALUMINUM ALLOY.  
**BRONZE PRODUCT**-CONSTRUCTED OF PRIMARY 844 CAST BRONZE ALLOY.

**LENS:** CLEAR-CONVEX OR FLAT, 1/4" TEMPERED GLASS.

**OPTIONS:**

**FWL**-CLEAR FLAT WALKOVER LENS, 3/8" THICK TEMPERED GLASS.

**PFL**-PRISMATIC FLAT LENS, 1/2" THICK TEMPERED GLASS.

**GASKETING:** **LENS GASKET**-50 S.D.H. "A" SCALE HIGH TEMPERATURE EXTRUDED SILICONE.

**SPLICE COMPARTMENT GASKET**-60 S.D.H. "A" SCALE-DIE CUT NEOPRENE.

**LAMP HOLDER:** SCREW TERMINAL WITH HIGH TEMPERATURE EYELET CONNECTORS.

**LAMP:** (BY OTHERS)-FIELD ADJUSTABLE TO 20° TILT-360° ON AXIS.

**TRANSFORMER:** 120/12V THERMALLY FUSED STEP DOWN TRANSFORMER TO POWER 120 W. OR 240 W. PAR 56 LAMP.

**TRANSFORMER COMPARTMENT:** FACTORY SEALED AND ISOLATED FROM THE SPLICE COMPARTMENT BY AN ANTI-WICKING CHAMBER, SEALED WITH A EPOXY BASED RESIN.

**FASTENERS:** 18-8 STAINLESS STEEL OR SILICONE BRONZE.

**WIRING COMPONENTS:** 14 GAUGE 200°C TEMPERATURE RATING. 1/4"-20 GROUNDING LUG PROVIDED.

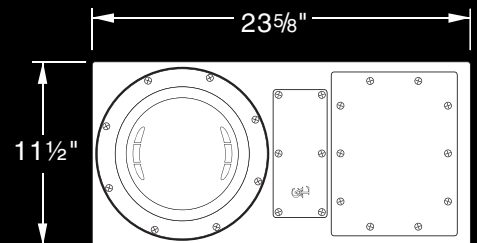
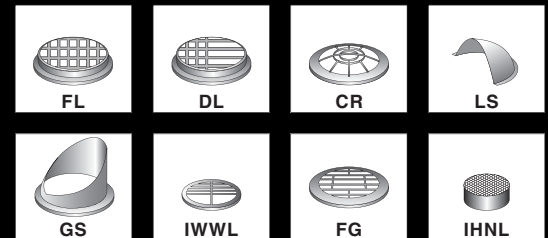
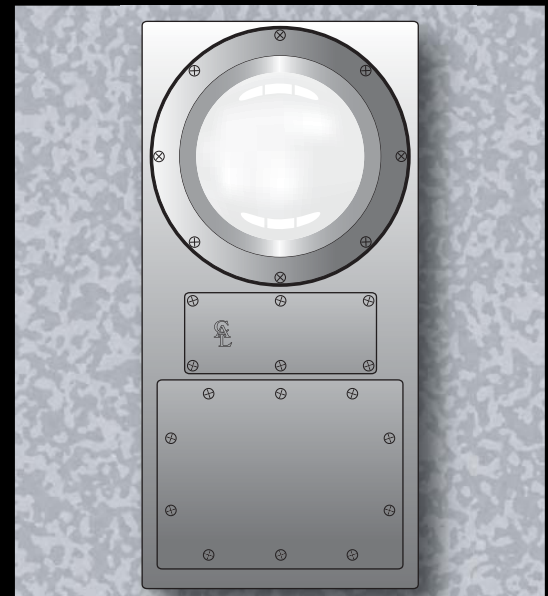
**SPLICE COMPARTMENT:** SUPPLIED WITH TWO (2) 1/2" OR 3/4" NPT CONDUIT ENTRIES (3/4"-STANDARD). SPLICE COMPARTMENT ISOLATED FROM THE LAMP COMPARTMENT BY AN ANTI-WICKING CHAMBER, SEALED WITH A EPOXY BASED RESIN.

**FINISH:** **ALUMINUM PRODUCT**-3 MIL STGIC THERMOSET EPOXY POWDER COATING.  
**BRONZE PRODUCT**-3 MIL STHICK BITUMINOUS COATING APPLIED TO THE EXTERIOR HOUSING

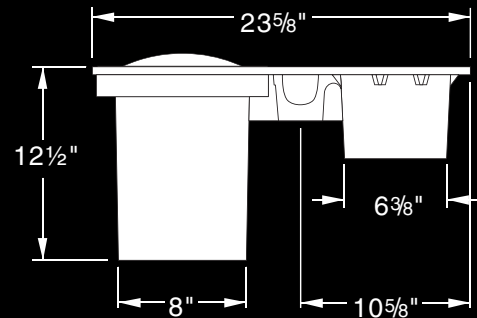
**TESTING:** FACTORY UNDER WATER POROSITY PRESSURE TEST TO 10 P.S.I.

FACTORY CERTIFIED UNDER WATER LEAK PREVENTION TEST ON 100% OF ALL FINISHED GOODS.

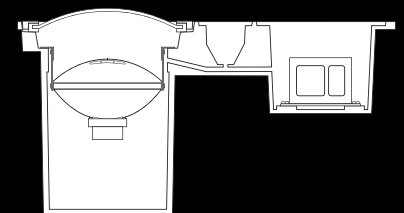
ETL LISTED FOR WET LOCATION AND CONCRETE POUR APPLICATIONS.



TOP VIEW



SIDE VIEW



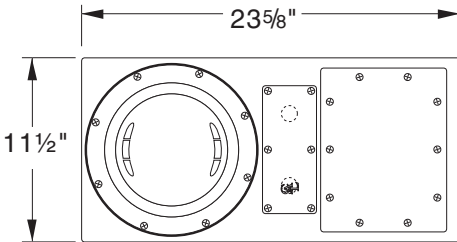
CROSS SECTION

# 4400

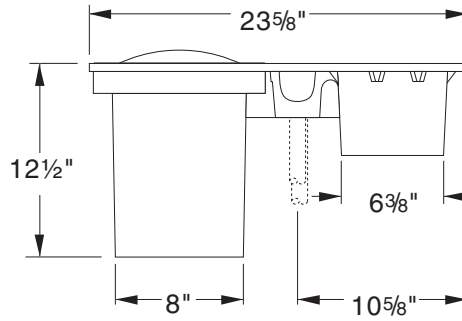
DIRECT BURIAL FIXTURE

TYPE: \_\_\_\_\_

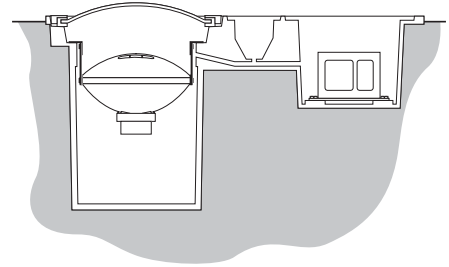
TOP VIEW



SIDE VIEW



CROSS SECTION



## ORDERING INFORMATION

MODEL NO. :  
4400

MODEL NO. :

4  
4  
0  
0

PART NUMBERS

### PART NUMBERS

- 4400-LV, PAR 56, 12V/120W
- 4400-LV, PAR 56, 12V/240W

FINISH

### FINISH

- DARK BRONZE. . . . .DB  
(STANDARD COLOR)
- BLACK. . . . .BK
- WHITE. . . . .WT
- ALUMINUM. . . . .AL

OPTIONS

### OPTIONS

- ALUMINUM. . . . . "A"
- BRONZE. . . . . "B"
- CONVEX LENS. . . . . "C"
- FLAT LENS. . . . . "F"
- FULL LOUVER. . . . . "FL"
- DIRECTIONAL LOUVER. . . . . "DL"
- CONVEX ROCKGUARD. . . . . "CR"
- LIGHT SHIELD. . . . . "LS"
- GLARE SHIELD. . . . . "GS"
- FLAT GRILL. . . . . "FG"
- FLAT WALKOVER LENS. . . . . "FWL"
- PRISMATIC FLAT LENS. . . . . "PFL"
- WALL WASH SYSTEM. . . . . "WWS"

US ARCHITECTURAL. RESERVES THE RIGHT TO MAKE CONTINUED PRODUCT DESIGN AND CONSTRUCTION IMPROVEMENTS WHICH MAY AFFECT THE PRODUCT ILLUSTRATED

