

4330

DIRECT BURIAL FIXTURE

SPECIFICATIONS

FIXTURE: ALUMINUM PRODUCT-CONSTRUCTED OF PRIMARY 356 CAST ALUMINUM ALLOY.
BRONZE PRODUCT-CONSTRUCTED OF PRIMARY 844 CAST BRONZE ALLOY.

LENS: CLEAR-CONVEX OR FLAT, 1/4" TEMPERED GLASS.

OPTIONS:

FWL-CLEAR FLAT WALKOVER LENS, 3/8" THICK TEMPERED GLASS.

PFL-PRISMATIC FLAT LENS, 1/2" THICK TEMPERED GLASS.

GASKETING: LENS GASKET-50 S.D.H. "A" SCALE HIGH TEMPERATURE EXTRUDED SILICONE.

SPLICE COMPARTMENT GASKET-60 S.D.H. "A" SCALE-DIE CUT NEOPRENE.

LAMP HOLDER: E-17/ED-17HID-4KV PORCELAIN MEDIUM BASE.

(BY OTHERS)-FIELD ADJUSTABLE TO 20°
LAMP: TILT-360° ON AXIS.

BALLAST: HIGH POWER FACTOR AUTOTRANSFORMER
-20°F STARTING TEMPERATURE.

BALLAST COMPARTMENT: FACTORY SEALED AND ISOLATED FROM THE SPLICE COMPARTMENT BY AN ANTI-WICKING CHAMBER, SEALED WITH A EPOXY BASED RESIN.

FASTENERS: 18-8 STAINLESS STEEL OR SILICONE BRONZE.

WIRING COMPONENTS: 14 GAUGE 200°C TEMPERATURE RATING. 1/4"-20 GROUNDING LUG PROVIDED.

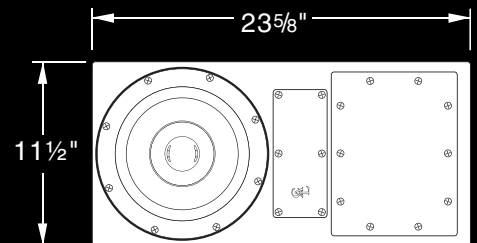
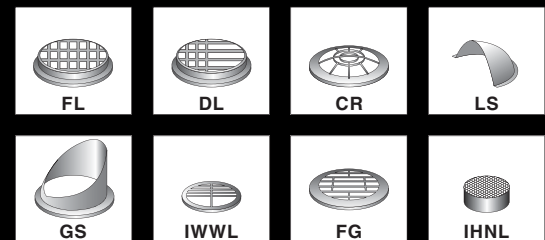
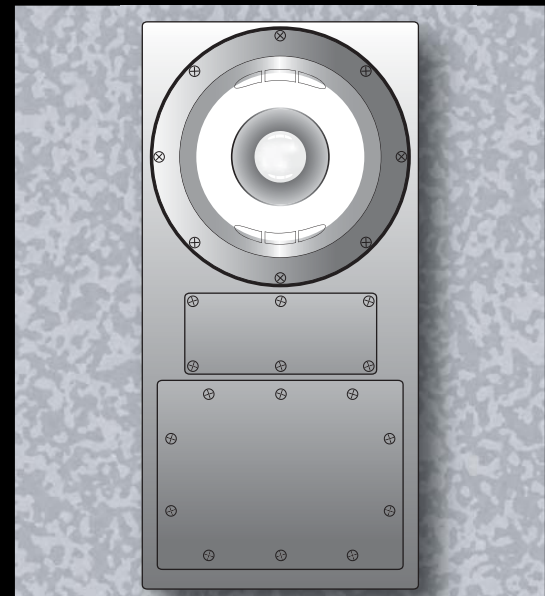
SPLICE COMPARTMENT: SUPPLIED WITH TWO (2) 1/2" OR 3/4" NPT CONDUIT ENTRIES (3/4"-STANDARD). SPLICE COMPARTMENT ISOLATED FROM THE LAMP COMPARTMENT BY AN ANTI-WICKING CHAMBER, SEALED WITH A EPOXY BASED RESIN.

FINISH: ALUMINUM PRODUCT-3 MIL STGIC THERMOSET EPOXY POWDER COATING.
BRONZE PRODUCT-3 MIL THICK BITUMINOUS COATING APPLIED TO THE EXTERIOR HOUSING

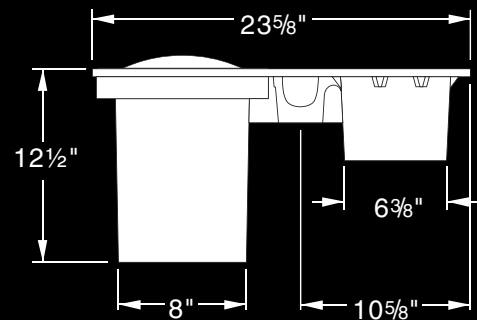
TESTING: FACTORY UNDER WATER POROSITY PRESSURE TEST TO 10 P.S.I.

FACTORY CERTIFIED UNDER WATER LEAK PREVENTION TEST ON 100% OF ALL FINISHED GOODS.

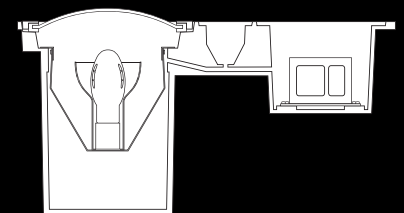
ETL LISTED FOR WET LOCATION AND CONCRETE POUR APPLICATIONS.



TOP VIEW



SIDE VIEW



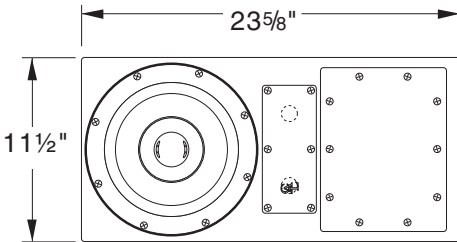
CROSS SECTION

4330

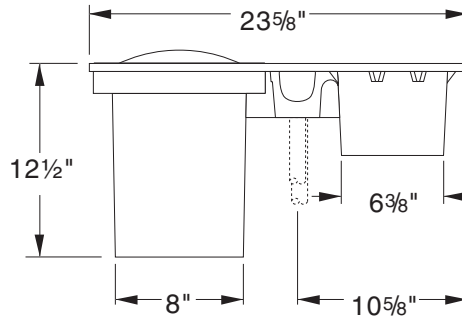
DIRECT BURIAL FIXTURE

TYPE: _____

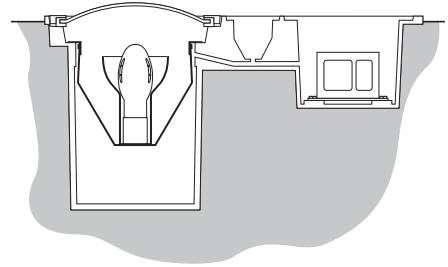
TOP VIEW



SIDE VIEW



CROSS SECTION



ORDERING INFORMATION

MODEL NO. :
4330

PART NUMBERS

FINISH

OPTIONS

MODEL NO. :

PART NUMBERS

FINISH

OPTIONS

4
3
3
0

- 4330-MV 50, E-17, 50W
- 4330-MV 75, E-17, 75W
- 4330-HPS 35, E-17, 35W
- 4330-HPS 50, E-17, 50W
- 4330-HPS 70, E-17, 70W
- 4330-HPS 100, E-17, 100W
- 4330-HPS 150, E-17, 150W
- 4330-MH 50, E-17, 50W
- 4330-MH 70, E-17, 70W
- 4330-MH 100, E-17, 100W
- 4330-MH 150, E-17, 150W
- 4330-MH 175, E-17, 175W

- DARK BRONZE.DB
(STANDARD COLOR)
- BLACK.BK
- WHITE.WT
- ALUMINUM.AL

- ALUMINUM. "A"
- BRONZE. "B"
- CONVEX LENS. "C"
- FLAT LENS. "F"
- FULL LOUVER. "FL"
- DIRECTIONAL LOUVER. "DL"
- CONVEX ROCKGUARD. "CR"
- LIGHT SHIELD. "LS"
- GLARE SHIELD. "GS"
- FLAT GRILL. "FG"
- FLAT WALKOVER LENS. "FWL"
- PRISMATIC FLAT LENS. "PFL"
- INTERNAL WALL WASH LOUVER. "IWWL"
- INTERNAL HONEYCOMB LOUVER. "IHNL"
- WALL WASH SYSTEM. "WWS"
- SPOT E LAMP REFLECTOR. "SER"
- FLOOD E LAMP REFLECTOR. "FER"

US ARCHITECTURAL. RESERVES THE RIGHT TO MAKE CONTINUED PRODUCT DESIGN AND CONSTRUCTION IMPROVEMENTS WHICH MAY AFFECT THE PRODUCT ILLUSTRATED

