

4100

DIRECT BURIAL FIXTURE

SPECIFICATIONS

FIXTURE: **ALUMINUM PRODUCT**-CONSTRUCTED OF PRIMARY 356 CAST ALUMINUM ALLOY.
BRONZE PRODUCT-CONSTRUCTED OF PRIMARY 844 CAST BRONZE ALLOY.

LENS: CLEAR-CONVEX OR FLAT, 1/4" TEMPERED GLASS.

OPTIONS:

FWL-CLEAR FLAT WALKOVER LENS, 3/8" THICK TEMPERED GLASS.

PFL-PRISMATIC FLAT LENS, 1/2" THICK TEMPERED GLASS.

GASKETING: **LENS GASKET**-50 S.D.H. "A" SCALE HIGH TEMPERATURE EXTRUDED SILICONE.

LAMP HOLDER: PAR 38/R40 - 4KV PORCELAIN MEDIUM BASE.
PAR 46 - MEDIUM END PRONG.
PAR 56 - MOGUL END PRONG.

LAMP: (BY OTHERS)-FIELD ADJUSTABLE TO 20° TILT-360° ON AXIS.

FASTENERS: 18-8 STAINLESS STEEL OR SILICONE BRONZE.

WIRING COMPONENTS: 14 GAUGE 200°C TEMPERATURE RATING. 1/4"-20 GROUNDING LUG PROVIDED.

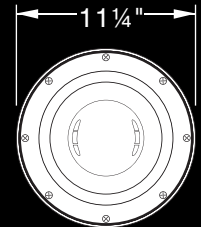
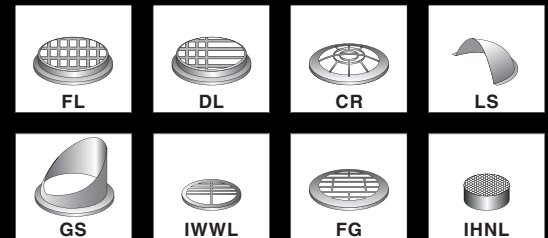
SPLICE COMPARTMENT: SUPPLIED WITH TWO (2) 1/2" OR 3/4" NPT CONDUIT ENTRIES (3/4"-STANDARD). SILICONE ELASTOMER COMPOUND (BY OTHERS), IS FIELD APPLIED TO SEAL SPLICE COMPARTMENT.

FINISH: **ALUMINUM PRODUCT**-3 MIL STGIC THERMOSET EPOXY POWDER COATING.
BRONZE PRODUCT-3 MILS THICK BITUMINOUS COATING APPLIED TO THE EXTERIOR HOUSING

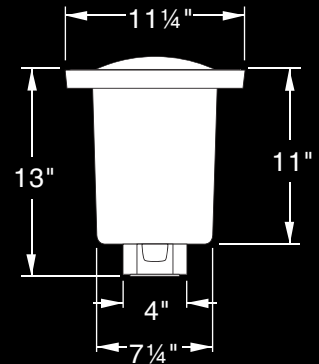
TESTING: FACTORY UNDER WATER POROSITY PRESSURE TEST TO 10 P.S.I.

FACTORY CERTIFIED UNDER WATER LEAK PREVENTION TEST ON 100% OF ALL FINISHED GOODS.

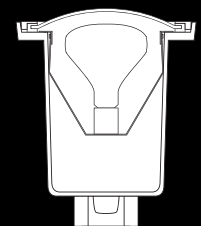
ETL LISTED FOR WET LOCATION AND CONCRETE POUR APPLICATIONS.



TOP VIEW



SIDE VIEW



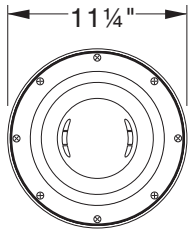
CROSS SECTION

4100

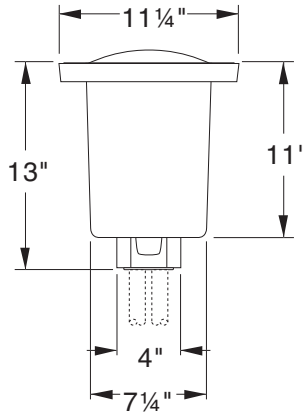
DIRECT BURIAL FIXTURE

TYPE: _____

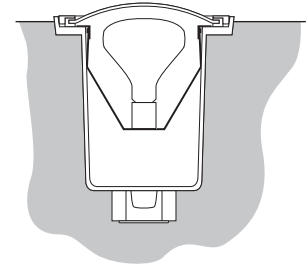
TOP VIEW



SIDE VIEW



CROSS SECTION



ORDERING INFORMATION

MODEL NO. :
4100

MODEL NO. :

4
1
0
0

PART NUMBERS

PART NUMBERS

- 4100-INC., PAR 38, 250W
- 4100-INC., R- 40, 300W
- 4100-INC., PAR 46, 200W
- 4100-INC., PAR 56, 300W
- 4100-INC., PAR 56, 500W

FINISH

FINISH

- DARK BRONZE. . . . DB
(STANDARD COLOR)
- BLACK.BK
- WHITE.WT
- ALUMINUM.AL

OPTIONS

OPTIONS

- ALUMINUM. "A"
- BRONZE. "B"
- CONVEX LENS. "C"
- FLAT LENS. "F"
- FULL LOUVER. "FL"
- DIRECTIONAL LOUVER. "DL"
- CONVEX ROCKGUARD. "CR"
- LIGHT SHIELD. "LS"
- GLARE SHIELD. "GS"
- FLAT GRILL. "FG"
- FLAT WALKOVER LENS. "FWL"
- PRISMATIC FLAT LENS. "PFL"
- INTERNAL WALL WASH LOUVER. "IWWL"
- INTERNAL HONEYCOMB LOUVER. "IHNL"
- WALL WASH SYSTEM. "WWS"

US ARCHITECTURAL. RESERVES THE RIGHT TO MAKE CONTINUED PRODUCT DESIGN AND CONSTRUCTION IMPROVEMENTS WHICH MAY AFFECT THE PRODUCT ILLUSTRATED

