

SQUARE ROUNDED NON-TAPERED ALUMINUM POLE

SNTAR

Shaft

Square, rounded corners, extruded from 6063 alloy aluminum tubing. Heat treated to produce a T6 temper. Shaft includes a hand hole furnished with cover.

Drilling Side Mount

A removable pole cap is included. Pole will be drilled to match U.S. Architectural fixtures. For other Drilling required, please specify DP after specified drill pattern. (example: 2-180DP)

Pole Top Mount

Standard pole top mount - PT27, fabricated from 2.5" (2.875" O.D.) aluminum pipe - tenon options available for pole tops please see Mounting column. For other pole top configurations please consult factory.

Hand Hole Cover

Rectangular 3" x 5" stamped heavy gauge aluminum material Hand Hole Cover, 2 1/4" x 4 1/4" access opening. Sealed door is secured by a formed aluminum bar and a stainless steel, tamper proof screw.

Base Plate

Cast aluminum constructed of A-356 aluminum alloy heat treated to produce a T6 temper. Structurally engineered base includes eight heavy wall reinforcing vertical gussets. Base telescopes and is circumferentially welded to shaft at both the outside top and inside bottom of the base.

Anchorage

(4) anchor bolts fabricated from hot rolled steel bar. Minimum yield strength of 50,000 P.S.I. Bolts have "L" bend on one end and are threaded on the other. Bolts are fully galvanized and are furnished with two nuts and two washers.

Base Cover

Fabricated from heavy wall aluminum construction. Two piece cover conceals base.

Finish

Electrostatically applied TGIC Polyester Powder Coat on substrate prepared with 20 PSI power wash at 140°F. Four step media blast and iron phosphate pretreatment for protection and paint adhesion. 400°F bake for maximum hardness and durability.



PPole Top Mounting
 PT27 - 2 7/8" X 3" Tenon (standard)
 PT23 - 2 3/8" X 3" Tenon



Drilling Side Mount



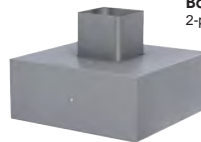
Handhole Cover w/ Locking Bar



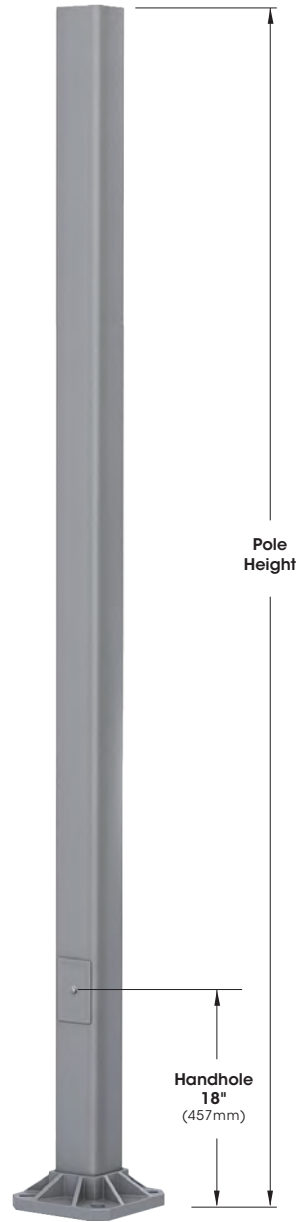
Base Plate



Anchorage

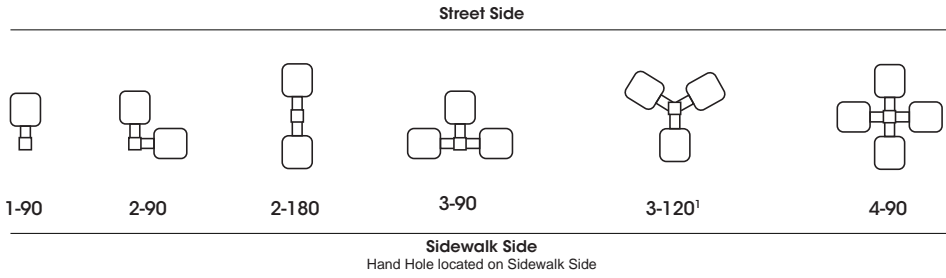


Base Cover 2-pc Assembly



Pole Model	Pole Sq.	Pole Height
SNTAR4	4"	8' - 20'
SNTAR5	5"	15' - 25'
SNTAR6	6"	25' - 35'

DRILLING SIDE MOUNT



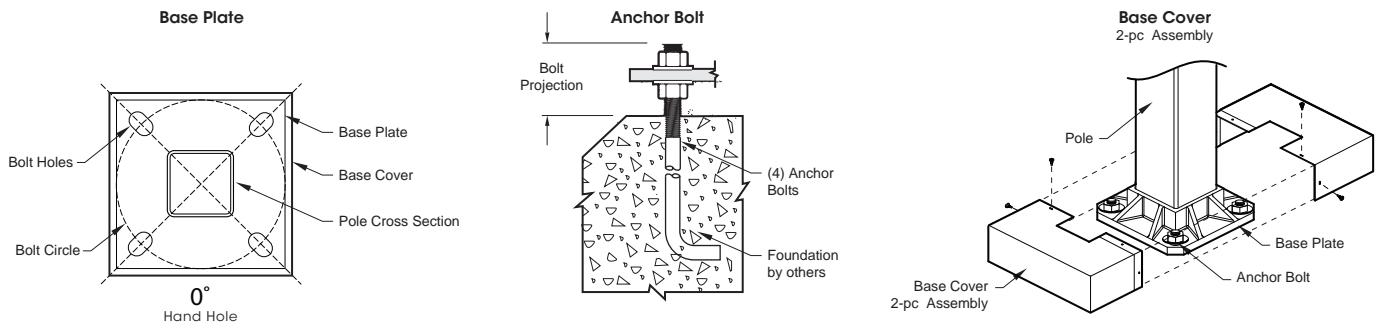
Notes

1- Requires PT27 and T3120 adapter. (adaptor is rotatable)

When drilling pattern from other manufacturer's fixture is required, add "DP" to drill specifications. (Example: 2-180DP) **Drilling template must be provided.**

In the case of other manufacturer's drilling pattern, customer must provide drilling pattern.

BOLT CIRCLE



Catalog Number	POLE								ANCHOR BOLTS				ANCHOR PLATE		
	Height		Bottom - Top				Wall Thickness (In/Go)	Weight (Lbs)	Bolt Size	Bolt Projection above grade ^{2,3}	Bolt Circle Dia Range ¹	Bolt Circle Dia (In) (Rec.)	Template	Base Plate	Cover
	Ft	M	In	Cm	In	Cm									
SNTAR 84-125	8	2.44	4.00	4.00	10.16	10.16	0.125	26	3/4" x 18" x 3"	3/4" - 3/4"	9 1/2" - 10 1/2"	10"	US10	3/4" x 10" x 10"	5" x 12" x 12"
SNTAR 104-125	10	3.05	4.00	4.00	10.16	10.16	0.125	30	3/4" x 18" x 3"	3/4" - 3/4"	9 1/2" - 10 1/2"	10"	US10	3/4" x 10" x 10"	5" x 12" x 12"
SNTAR 124-125	12	3.66	4.00	4.00	10.16	10.16	0.125	35	3/4" x 18" x 3"	3/4" - 3/4"	9 1/2" - 10 1/2"	10"	US10	3/4" x 10" x 10"	5" x 12" x 12"
SNTAR 154-125	15	4.57	4.00	4.00	10.16	10.16	0.125	42	3/4" x 24" x 3"	3/4" - 3/4"	9 1/2" - 10 1/2"	10"	US10	3/4" x 10" x 10"	5" x 12" x 12"
SNTAR 154-188	15	4.57	4.00	4.00	10.16	10.16	0.188	58	3/4" x 24" x 3"	3/4" - 3/4"	9 1/2" - 10 1/2"	10"	US10	3/4" x 10" x 10"	5" x 12" x 12"
SNTAR 184-125	18	5.49	4.00	4.00	10.16	10.16	0.125	48	3/4" x 24" x 3"	3/4" - 3/4"	9 1/2" - 10 1/2"	10"	US10	3/4" x 10" x 10"	5" x 12" x 12"
SNTAR 184-188	18	5.49	4.00	4.00	10.16	10.16	0.188	68	3/4" x 24" x 3"	3/4" - 3/4"	9 1/2" - 10 1/2"	10"	US10	3/4" x 10" x 10"	5" x 12" x 12"
SNTAR 204-188	20	6.10	4.00	4.00	10.16	10.16	0.188	74	3/4" x 24" x 3"	3/4" - 3/4"	9 1/2" - 10 1/2"	10"	US10	3/4" x 10" x 10"	5" x 12" x 12"
SNTAR 155 - 125	15	4.57	5.00	5.00	12.70	12.70	0.125	53	3/4" x 24" x 3"	3/4" - 3/4"	11 1/2" - 12"	12"	US12	1" x 11" x 11"	5" x 12" x 12"
SNTAR 185 - 125	18	5.49	5.00	5.00	12.70	12.70	0.125	62	3/4" x 24" x 3"	3/4" - 3/4"	11 1/2" - 12"	12"	US12	1" x 11" x 11"	5" x 12" x 12"
SNTAR 185 - 188	18	5.49	5.00	5.00	12.70	12.70	0.188	86	3/4" x 24" x 3"	3/4" - 3/4"	11 1/2" - 12"	12"	US12	1" x 11" x 11"	5" x 12" x 12"
SNTAR 205 - 125	20	6.10	5.00	5.00	12.70	12.70	0.125	67	3/4" x 24" x 3"	3/4" - 3/4"	11 1/2" - 12"	12"	US12	1" x 11" x 11"	5" x 12" x 12"
SNTAR 205 - 188	20	6.10	5.00	5.00	12.70	12.70	0.188	95	3/4" x 24" x 3"	3/4" - 3/4"	11 1/2" - 12"	12"	US12	1" x 11" x 11"	5" x 12" x 12"
SNTAR 255 - 188	25	7.62	5.00	5.00	12.70	12.70	0.188	116	3/4" x 24" x 3"	3/4" - 3/4"	11 1/2" - 12"	12"	US12	1" x 11" x 11"	5" x 12" x 12"
SNTAR 256 - 188	25	7.62	6.00	6.00	15.24	15.24	0.188	140	1" x 36" x 4"	4" - 4 1/2"	12" - 13"	13"	US13	1" x 11 1/2" x 11 1/2"	5" x 12" x 12"
SNTAR 306 - 250	30	9.15	6.00	6.00	15.24	15.24	0.250	214	1" x 36" x 4"	4" - 4 1/2"	12" - 13"	13"	US13	1" x 11 1/2" x 11 1/2"	5" x 12" x 12"
SNTAR 356 - 250	35	10.67	6.00	6.00	15.24	15.24	0.250	247	1" x 36" x 4"	4" - 4 1/2"	12" - 13"	13"	US13	1" x 11 1/2" x 11 1/2"	5" x 12" x 12"

1 - Not using correct bolt size or "(REC.) Recommended" Bolt Circle could result in Pole's failure.
 2 - Bolt Projection is calculated for slopes with 3 degrees or less.
 3 - For slopes greater than 3 degrees, please add Bolt Length Projection as necessary.

ORDERING INFORMATION

Spec/Order Example: SNTAR124-12/2-90/RAL-6005-T

Pole Model Number			Mounting	Finish	Options		
Pole Model Number			Mounting	Finish	Options		
4" Pole Sq.	Pole Height	Wall Thickness	Tenon Mount <input type="checkbox"/> 2 ⁷ / ₈ " X 3" Tenon PT27 (Standard) <input type="checkbox"/> 2 ³ / ₈ " X 3" Tenon PT23 <input type="checkbox"/> 2 ⁷ / ₈ " X 6" Tenon PT276 <input type="checkbox"/> Other Tenon Mt _____ Drill Mount <input type="checkbox"/> 1-90 <input type="checkbox"/> 2-180 <input type="checkbox"/> 2-90 <input type="checkbox"/> 3-90 <input type="checkbox"/> 4-90 <input type="checkbox"/> 3-120 3-120 requires PT27 and T3120 Adapter 2-90, 3-90, 4-90 requires PT27 and T490 Adapter When Drilling Pattern from other manufacturer is required, add "DP" to drill specifications (Example: 2-180DP) Drilling template must be provided.	Standard Smooth Finish <input type="checkbox"/> Black RAL-9005-S <input type="checkbox"/> White RAL-9003-S <input type="checkbox"/> Grey RAL-7004-S <input type="checkbox"/> Dark Bronze RAL-8019-S <input type="checkbox"/> Green RAL-6005-S Premium Finishes <input type="checkbox"/> Rust <input type="checkbox"/> Patina Copper PC <input type="checkbox"/> Custom Specify RAL# _____ <input type="checkbox"/> Anodized AZ For Textured Finish replace suffix "S" with suffix "T" Example: RAL-9005-T See USALTG.COM for additional colors	<input type="checkbox"/> Vibration Dampener 2nd Mode Field Install VBDS-M2 Receptacle <input type="checkbox"/> G.F.I. Receptacle w/ Cover GFI <input type="checkbox"/> G.F.I. Receptacle w/ In-Use Cover GFHU [Specify GFI location: Height and Direction] See Location Diagram below <input type="checkbox"/> 3 Way Adapter T3120 <input type="checkbox"/> 4 Way Adapter T490 Coupling <input type="checkbox"/> 1/2" Coupling CPLN12 <input type="checkbox"/> 3/4" Coupling CPLN34 <input type="checkbox"/> 1 1/4" Coupling CPLN114 <input type="checkbox"/> 1 1/2" Coupling CPLN112 <input type="checkbox"/> 2" Coupling CPLN2 [Specify Coupling location: Height and Direction] See Location Diagram below Nipple <input type="checkbox"/> 1/2" Nipple NPLE12 <input type="checkbox"/> 3/4" Nipple NPLE34 <input type="checkbox"/> 1 1/4" Nipple NPLE114 <input type="checkbox"/> 1 1/2" Nipple NPLE112 <input type="checkbox"/> 2" Nipple NPLE2 [Specify Coupling location: Height and Direction] See Location Diagram below Location Diagram Please use this diagram to indicate placement location Refer to the Accessories Section for other options		
						<input type="checkbox"/> SNTAR 84 - 125	8'
	<input type="checkbox"/> SNTAR 104 - 125	10'				0.125	
	<input type="checkbox"/> SNTAR 124 - 125	12'				0.125	
	<input type="checkbox"/> SNTAR 154 - 125	15'				0.125	
	<input type="checkbox"/> SNTAR 154 - 188	15'				0.188	
	<input type="checkbox"/> SNTAR 184 - 125	18'				0.125	
	<input type="checkbox"/> SNTAR 184 - 188	18'				0.188	
	<input type="checkbox"/> SNTAR 204 - 188	20'				0.188	
	5" Pole Sq.	<input type="checkbox"/> SNTAR 155 - 125				15'	0.125
		<input type="checkbox"/> SNTAR 185 - 125				18'	0.125
		<input type="checkbox"/> SNTAR 185 - 188				18'	0.188
<input type="checkbox"/> SNTAR 205 - 125		20'	0.125				
<input type="checkbox"/> SNTAR 205 - 188		20'	0.188				
<input type="checkbox"/> SNTAR 255 - 188		25'	0.188				
6" Pole Sq.	<input type="checkbox"/> SNTAR 256 - 188	25'	0.188				
	<input type="checkbox"/> SNTAR 306 - 250	30'	0.250				
	<input type="checkbox"/> SNTAR 356 - 250	35'	0.250				
	Other heights available Please consult factory						

OPTIONS



GFI
Duplex GFI w/ Cover



GFHU
Duplex GFI w/ In-Use Cover



T3120
3 Way Adapter



T490
4 Way Adapter

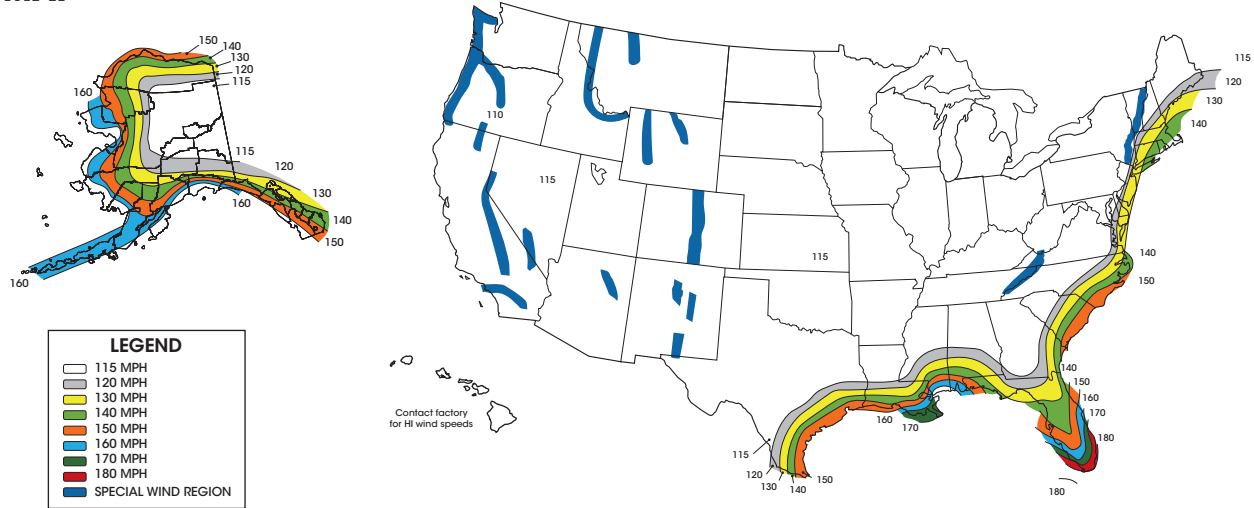


CPLN
1/2", 3/4", 1 1/4", 1 1/2", or 2" Coupling



NPLE
1/2", 3/4", 1 1/4", 1 1/2", or 2" Nipple

WIND MAP



EPA INFORMATION (ft²)
(per AASHTO LRFDLTS-1 revised 2022)

Cat. No.	Weight Capacity Maximum (Lbs.)	100 MPH	110 MPH	115 MPH	120 MPH	130 MPH	140 MPH	150 MPH	160 MPH	170 MPH	180 MPH
SNTAR 84-125	300 - 115.5*	13.9	10.9	9.7	8.3	7.1	5.6	4.5	3.8	3.5	3.3
SNTAR 104-125	300 - 70*	9.7	7.7	6.9	6.2	5.0	4.4	3.6	3.0	2.2	2.0
SNTAR 124-125	262.5 - 60*	7.5	6.0	5.0	4.4	3.4	3.0	2.4	1.8	1.4	0.8
SNTAR 154-125	175 - 60*	5.0	3.4	3.0	2.4	2.0	1.4	0.6	0.3	0.0	0.0
SNTAR 154-188	241.5 - 60*	6.9	5.2	4.8	4.2	3.0	2.2	1.6	1.4	0.9	0.6
SNTAR 184-125	98 - 60*	2.8	1.8	1.4	0.8	0.3	0.0	0.0	0.0	0.0	0.0
SNTAR 184-188	147 - 60*	4.2	3.0	2.7	1.9	1.5	0.9	0.3	0.0	0.0	0.0
SNTAR 204-188	136.5 - 60*	3.9	2.7	1.6	1.1	0.5	0.0	0.0	0.0	0.0	0.0
SNTAR 155 - 125	262.5 - 60*	7.5	5.9	4.9	4.5	3.1	2.5	1.5	0.9	0.7	0.3
SNTAR 185 - 125	126 - 60*	3.6	2.4	2.1	1.4	0.9	0.3	0.0	0.0	0.0	0.0
SNTAR 185 - 188	245 - 60*	7.0	5.2	4.4	3.8	2.9	1.8	1.3	0.7	0.3	0.0
SNTAR 205 - 125	108.5 - 60*	3.1	2.1	1.3	0.9	0.2	0.0	0.0	0.0	0.0	0.0
SNTAR 205 - 188	210 - 60*	6.0	4.9	4.1	3.5	2.1	1.5	0.6	0.3	0.0	0.0
SNTAR 255 - 188	63 - 60*	1.8	1.0	0.7	0.2	0.0	0.0	0.0	0.0	0.0	0.0
SNTAR 256 - 188	119 - 60*	3.4	2.1	1.2	0.0	0.0	0.0	0.0	0.0	0.0	0.0
SNTAR 306 - 250	80.5 - 60*	2.3	0.7	0.0	0.0	0.0	0.0	0.0	0.0	0.0	0.0
SNTAR 356 - 250	60	1.3	0.3	0.0	0.0	0.0	0.0	0.0	0.0	0.0	0.0

EPA INFORMATION (ft²)
(per 2020 FL Building Code)

Cat. No.	Weight Capacity Maximum (Lbs.)	120 MPH	130 MPH	140 MPH	150 MPH	160 MPH	170 MPH	180 MPH
SNTAR 84-125	264.4 - 105.1*	7.6	6.6	5.0	4.2	3.5	3.2	3.0
SNTAR 104-125	204 - 65.8*	5.8	4.7	4.0	3.3	2.8	2.0	1.9
SNTAR 124-125	140.14 - 60*	4.0	3.1	2.8	2.5	1.6	1.3	0.7
SNTAR 154-125	77.28 - 60*	2.2	1.8	1.3	0.5	0.3	0.0	0.0
SNTAR 154-188	147 - 60*	4.2	3.0	2.1	1.5	1.3	0.9	0.6
SNTAR 184-125	60	0.7	0.3	0.0	0.0	0.0	0.0	0.0
SNTAR 184-188	66.5 - 60*	1.9	1.5	0.9	0.3	0.0	0.0	0.0
SNTAR 204-188	60	1.5	1.0	0.5	0.0	0.0	0.0	0.0
SNTAR 155 - 125	144.9 - 60*	4.1	2.9	2.4	1.4	0.8	0.6	0.3
SNTAR 185 - 125	60	1.4	0.9	0.3	0.0	0.0	0.0	0.0
SNTAR 185 - 188	129.5 - 60*	3.7	2.8	1.7	1.2	0.7	0.3	0.0
SNTAR 205 - 125	60	0.8	0.2	0.0	0.0	0.0	0.0	0.0
SNTAR 205 - 188	111.48 - 60*	3.2	1.9	1.4	0.5	0.3	0.0	0.0
SNTAR 255 - 188	N/A	0.0	0.0	0.0	0.0	0.0	0.0	0.0
SNTAR 256 - 188	N/A	0.0	0.0	0.0	0.0	0.0	0.0	0.0
SNTAR 306 - 250	N/A	0.0	0.0	0.0	0.0	0.0	0.0	0.0
SNTAR 356 - 250	N/A	0.0	0.0	0.0	0.0	0.0	0.0	0.0

* Please use the following to obtain the proper weight capacity: The maximum fixture weight equals 60 lbs. or the product of 35 lbs. x the EPA value, whichever is greater, not to exceed 300 lbs. Example, EPA = 2.2 , weight = 35 lbs. x 2.2 EPA = 77 lbs.

Notes

- Specifier is responsible for correct pole selection. For proper pole choice, the specifier must consider the total EPA of fixtures, banners, arms, and any other accessories attached to pole assembly.
- U.S. Architectural discourages the attachment of unauthorized accessories; any such attachments will void the manufacturer's warranty.
- ALL EPAs are calculated for ground installations. For installations on bridges, buildings or other structures, the specifier must contact the factory or consult with a structural Engineer
- Unpredictable aerodynamic forces such as wind-induced vibrations are not included in wind velocity ratings or EPA ratings.
- Wind gust factors are considered in developing all EPA chart data.

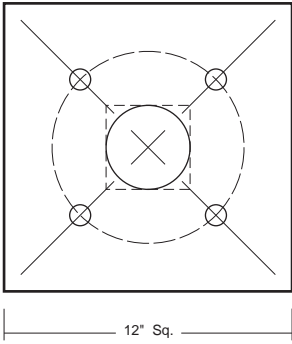
To mitigate 2nd Mode (Aeolian) Vibration please read the following Recommendations:

- We do not recommend the installation of poles without a fixture; such installations have been known to fail due to destructive 2nd mode pole vibration.
- An internal vibration dampener will be provided for 4" square poles 20 ft. tall and above, for 5" square poles 25 ft tall and above, and for 6" square poles 30 ft tall and above.
- Pole installations with a combined (fixtures, banners, flags, etc.) of less than 0.75 ft2 EPA and 20 feet or taller will be provided with a vibration dampener.

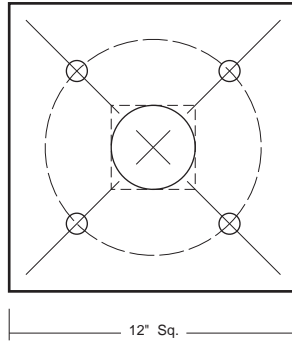
ANCHOR BOLT TEMPLATES

For printable versions of Templates: click on the Template's name, otherwise go to <https://usaltg.com/downloads/templates.html>.

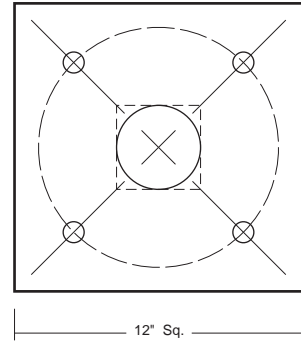
US8
8" Bolt Circle



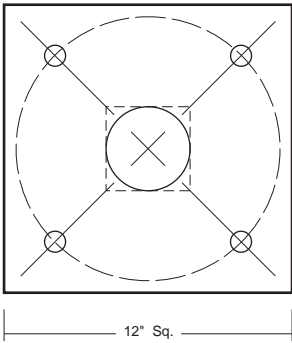
US9
9" Bolt Circle



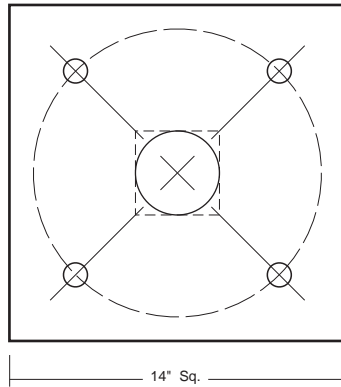
US10
10" Bolt Circle



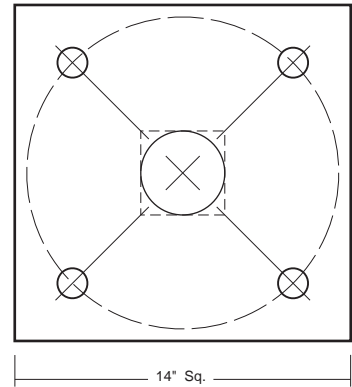
US11
11" Bolt Circle



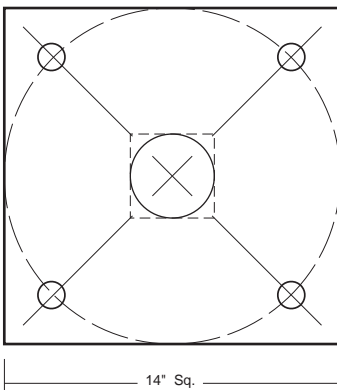
US12
12" Bolt Circle



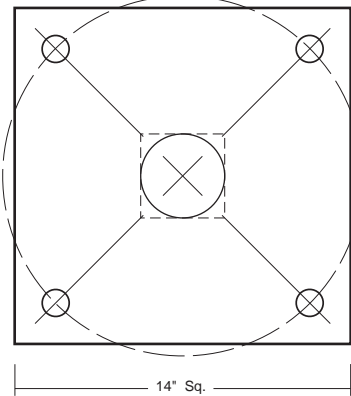
US13
13" Bolt Circle



US14
14" Bolt Circle



US15
15" Bolt Circle



US16
16" Bolt Circle

