

# 3600SB

## SPLIT BASE

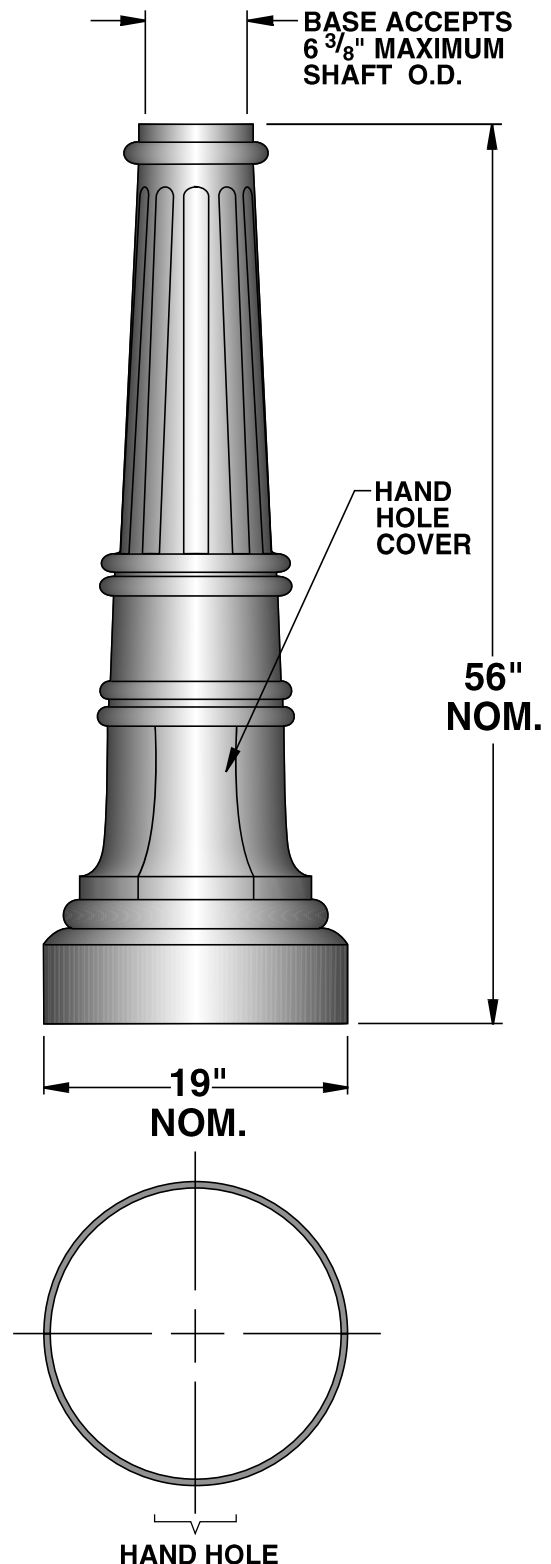
3600SB

### BASE

TWO PIECE WRAPAROUND, CORROSION RESISTANT, DURABLE CAST ALUMINUM CONSTRUCTION WITH HAND HOLE COVER CONTOURED TO BASE DESIGN. HAND HOLE COVER SUPPLIED WITH TAMPER RESISTANT HARDWARE. (4) 1/4"-20 SET SCREWS PROVIDED TO SECURE DECORATIVE BASE TO SHAFT.

### FINISH

ELECTROSTATICALLY APPLIED BAKED ON TEXTURED ACRYLIC ENAMEL. (SEE PAGE 5 FOR OPTIONAL FINISH AND COLOR SELECTION)



### ACCESSORIES

(SPECIFY AS SUFFIX TO CAT. NO.)

#### TENONS

- 2 3/8" O.D. PT23
- 2 7/8" O.D. PT27
- 3 1/2" O.D. PT31

- DUPLEX OR G.F.I. RECEPTACLE WITH COVER DUP
- GFI

- RBA
- FIELD ROTATABLE OR FIXED BANNER ARM
- FBA

- BEB
- BANNER EYE BOLT

- BBA
- BREAK AWAY BANNER ARM

- RBH
- FIELD ROTATABLE OR FIXED BASKET HOLDER
- FBH

- RSS
- FIELD ROTATABLE STREET SIGN

- RFH
- FIELD ROTATABLE OR FIXED FLAG HOLDER
- FFH

1 3/8" I.D.

SCALE: 1/2"=1'-0"

