

# 2800SB

## SPLIT BASE

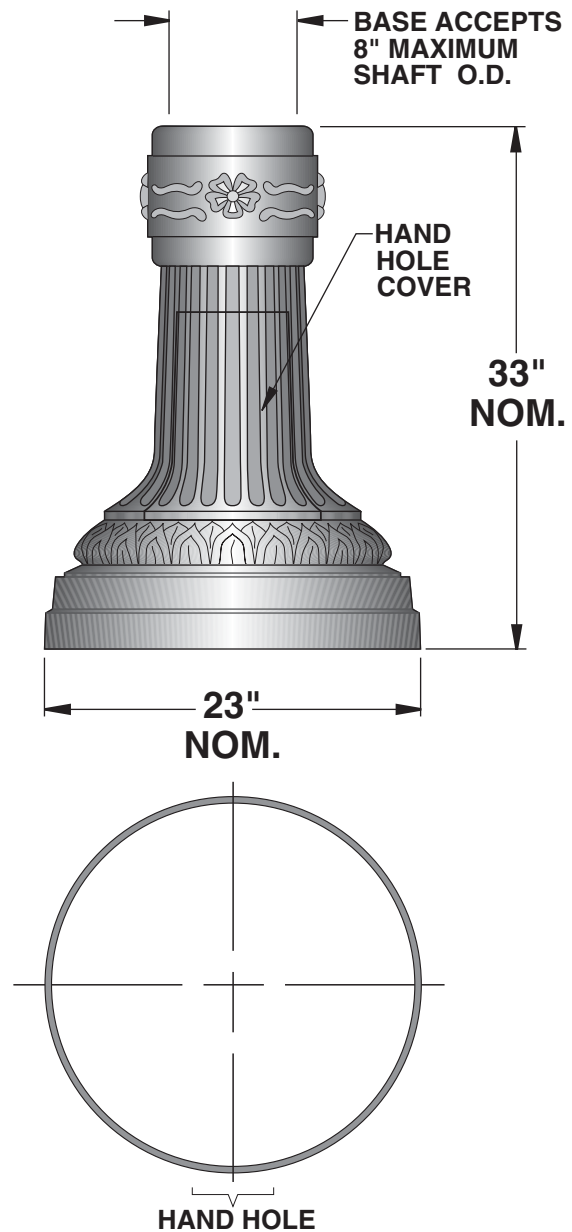
2800SB

### BASE

TWO PIECE WRAPAROUND, CORROSION RESISTANT, DURABLE CAST ALUMINUM CONSTRUCTION. MINIMUM .210 WALL THICKNESS, BASE PROVIDED WITH HAND HOLE COVER CONTOURED TO BASE DESIGN. HAND HOLE COVER SUPPLIED WITH TAMPER RESISTANT HARDWARE. (4) 1/4"-20 SET SCREWS PROVIDED TO SECURE DECORATIVE BASE TO SHAFT.

### FINISH

ELECTROSTATICALLY APPLIED BAKED ON TEXTURED ACRYLIC ENAMEL. (SEE PAGE 5 FOR OPTIONAL FINISH AND COLOR SELECTION)



The Lighting Tradition

**sun valley**  
LIGHTING

660 WEST AVENUE O, PALMDALE, CA 93551  
(661) 233-2000  
FAX (661) 233-2001  
[www.sunvalleylighting.com](http://www.sunvalleylighting.com)

SB-7

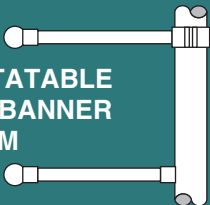
### ACCESSORIES

(SPECIFY AS SUFFIX TO CAT. NO.)

#### TENONS

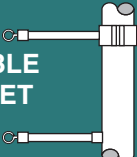
- 2 3/8" O.D.  PT23
- 2 7/8" O.D.  PT27
- 3 1/2" O.D.  PT31

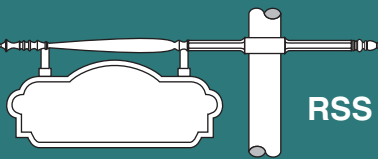
- DUPLEX OR G.F.I. RECEPTACLE WITH COVER  DUP  
GFI

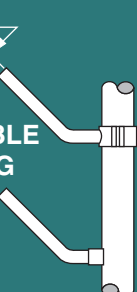
- FIELD ROTATABLE OR FIXED BANNER ARM  RBA  
FBA

- BANNER EYE BOLT  BEB

- BREAK AWAY BANNER ARM  BBA

- FIELD ROTATABLE OR FIXED BASKET HOLDER  RBH  
FBH

- FIELD ROTATABLE STREET SIGN  RSS

- FIELD ROTATABLE OR FIXED FLAG HOLDER  RFH  
FFH

1 3/8" I.D.

SCALE: 1/2"=1'-0"

