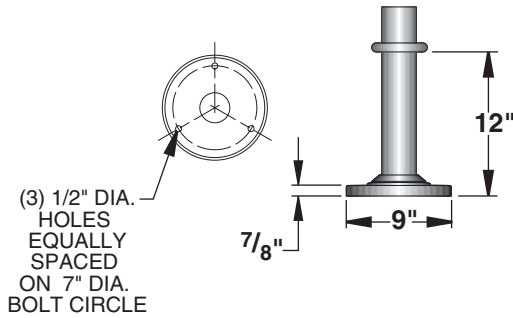


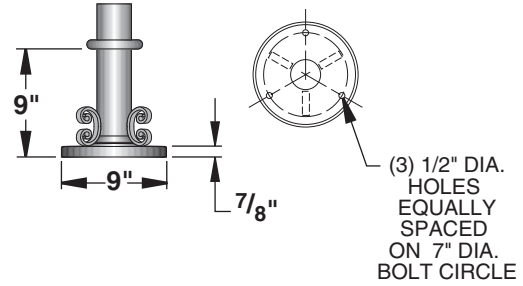
PIER MOUNT

EXTRUDED AND CAST ALUMINUM CONSTRUCTION

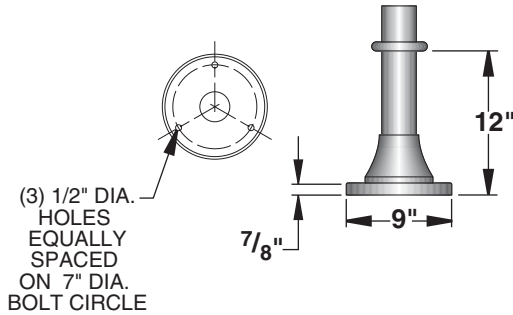
PM1



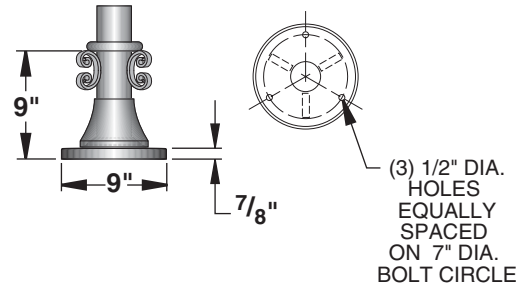
PM2



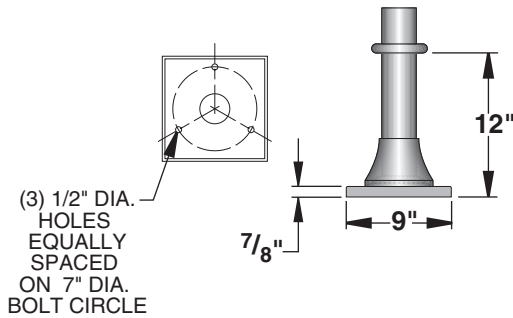
PM3



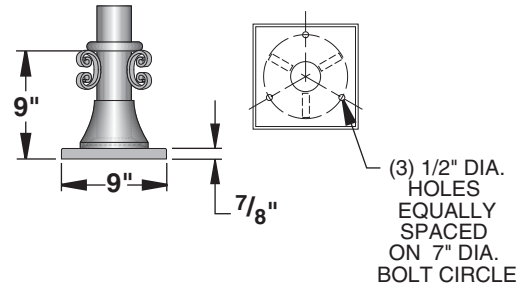
PM4



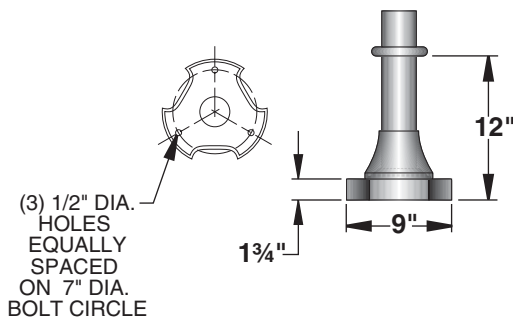
PM5



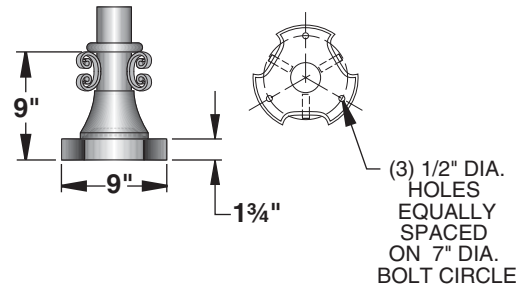
PM6



PM7



PM8



SCALE: 3/4"=1'-0"

ALL PIER MOUNTS PROVIDED WITH A 2 7/8" O.D. X 3" TENON